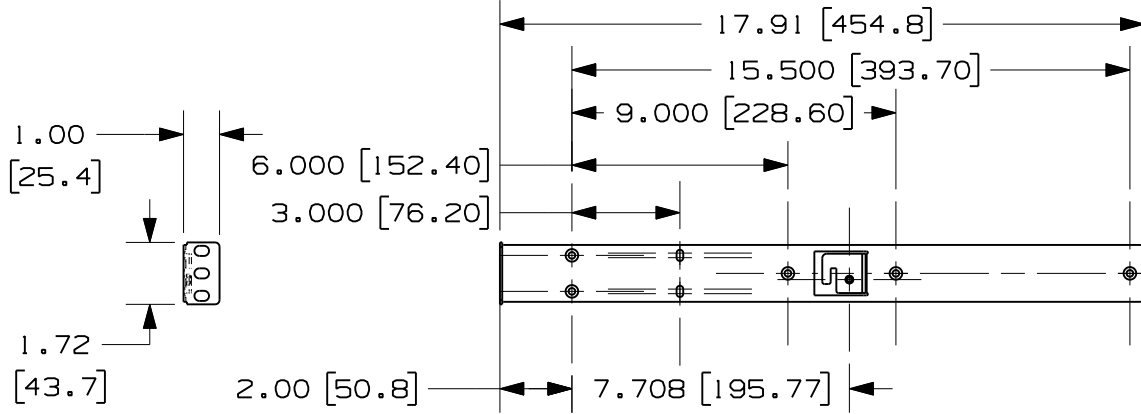
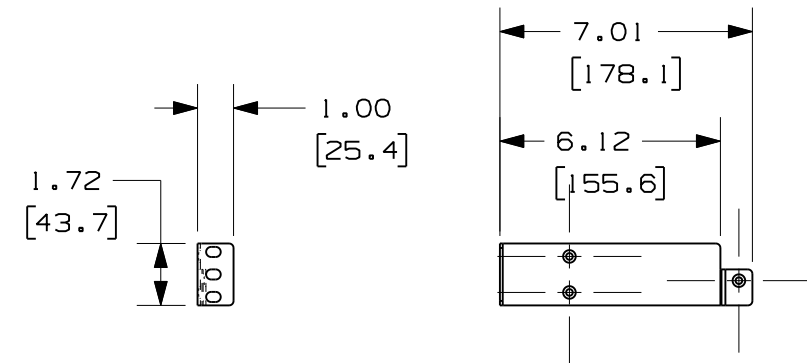


THIS COPY IS PROVIDED ON A RESTRICTED BASIS AND IS NOT TO BE USED IN ANY WAY DETRIMENTAL TO THE INTERESTS OF PANDUIT CORP.



FRONT SUPPORT BRACKET
(RIGHT AND LEFT)

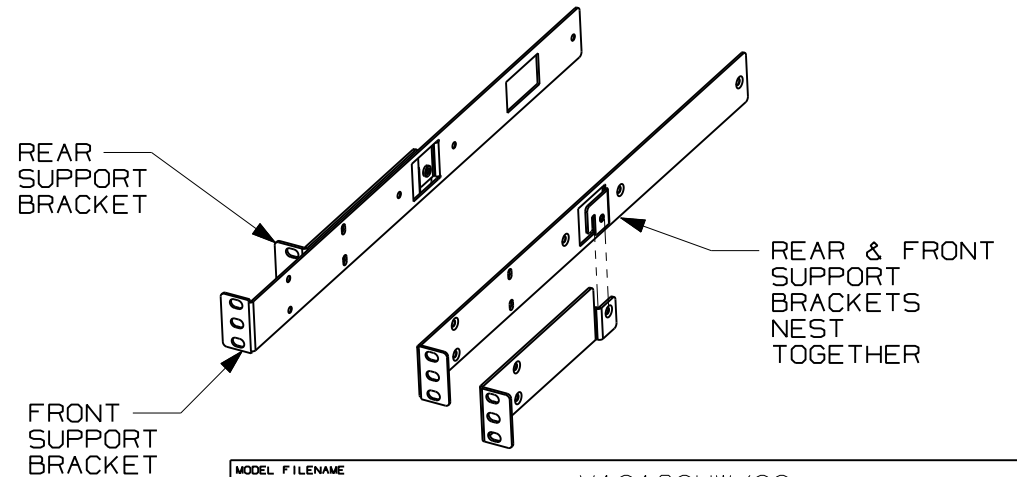


REAR SUPPORT BRACKET
(RIGHT AND LEFT)

PANDUIT P/N	WEIGHT
R2P5548B	1.75 LBS/EACH 0.8 Kg/EACH

NOTES:

- VISIT OUR ON-LINE CATALOG AT WWW.PANDUIT.COM FOR A CURRENT LIST OF PRODUCTS APPLICABLE FOR USE WITH THIS PART.
- COMPONENTS:
1- 1RU CISCO 5010 MOUNT BRACKET SET
2- PACK OF (4) #12-24 SCREWS
2- M4 FLAT HEAD SCREWS
- DIMENSIONS IN PARENTHESIS ARE METRIC.



MODEL FILENAME	V10160HW/00
CAD FILENAME/LAYERS	V10160HW_DC/00A

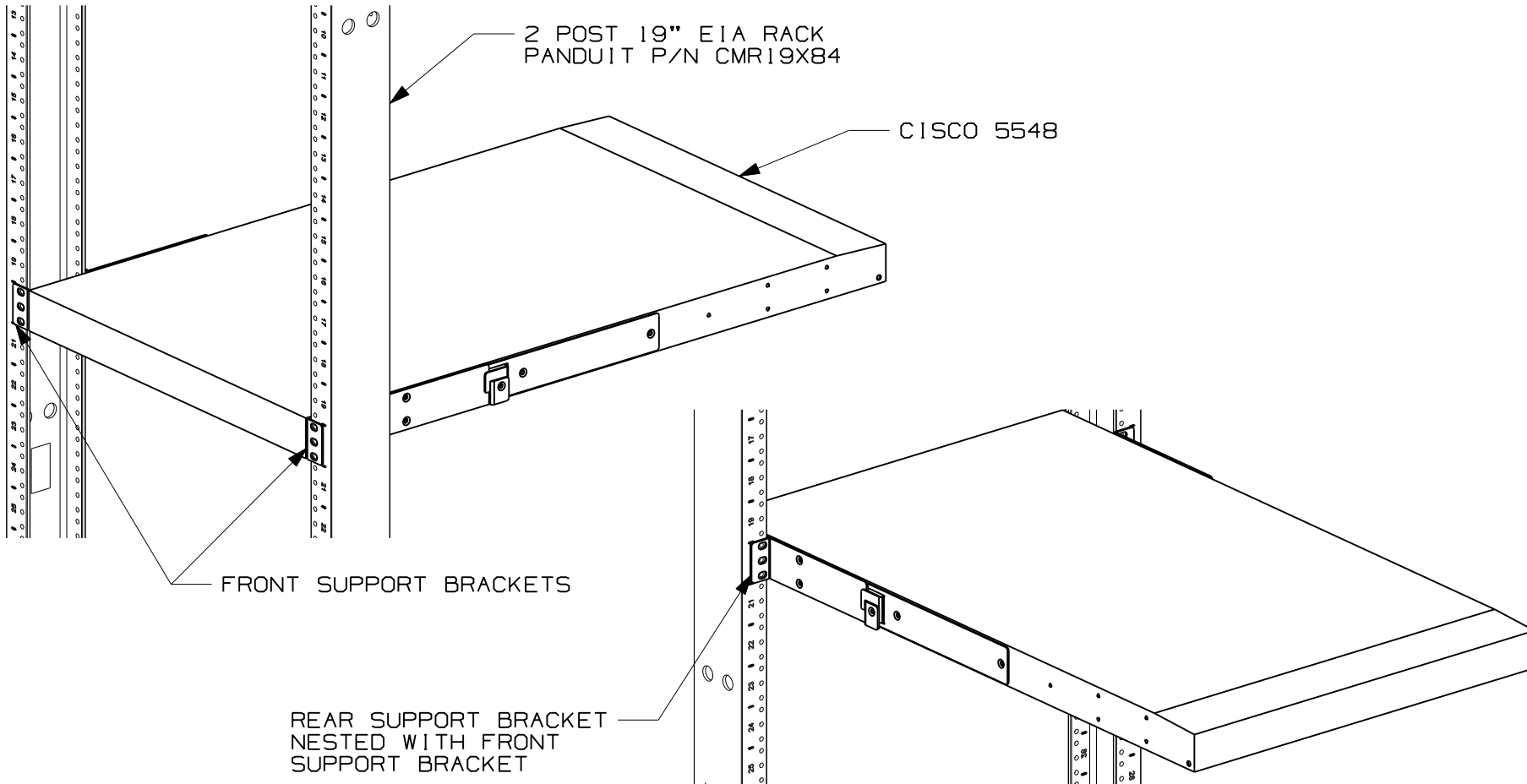
PANDUIT CORP. TINLEY PARK, ILLINOIS
CISCO 5548 MOUNT BRACKET ASSEMBLY (R2P5548B)
CUSTOMER DRAWING

UNLESS OTHERWISE SPECIFIED, DIMENSIONAL TOLERANCES ARE:			UNLESS OTHERWISE SPECIFIED, ALL DIMENSIONS ARE GIVEN IN INCHES, THIRD ANGLE PROJECTION.		
INCHES	[METRIC - MILLIMETER]	ANGLE			
X.X +/- 0.03	X +/- 0.8	+/- 1°			
X.XX +/- 0.015	X.X +/- 0.4				
X.XXX +/- 0.005	X.XX +/- 0.13				

DRAWN BY RYB	MAT'L: STEEL	SCALE NONE
DATE 9-20-10		DRAWING NO. V10160HW-DC
CHK'D RYB		SHT 1 OF 2

REV	DATE	BY	CHK	DESCRIPTION	ECN	R	CUST	SUP	OTH
00A	9-20-10	RYB		DRAWING RELEASED	V10160HW-DC				

THIS COPY IS PROVIDED ON A RESTRICTED BASIS AND IS NOT TO BE USED IN ANY WAY DETRIMENTAL TO THE INTERESTS OF PANDUIT CORP.



MODEL FILENAME V10160HW/00
 CAD FILENAME/LAYERS V10160HW_DC/00A

PANDUIT CORP. TINLEY PARK, ILLINOIS
 CISCO 5548 MOUNT BRACKET ASSEMBLY
 (R2P5548B)
 CUSTOMER DRAWING

UNLESS OTHERWISE SPECIFIED, DIMENSIONAL TOLERANCES ARE:
 INCHES X.X +/- 0.03 X.XX +/- 0.015 X.XXX +/- 0.005
 [METRIC - MILLIMETER] X.X +/- 0.8 X.XX +/- 0.4 X.XX +/- 0.13
 ANGLE +/- 1°
 UNLESS OTHERWISE SPECIFIED, ALL DIMENSIONS ARE GIVEN IN INCHES, THIRD ANGLE PROJECTION.

DRAWN BY RYB	MAT'L: STEEL	SCALE NONE
DATE 9-20-10		DRAWING NO. V10160HW-DC SHT 2 OF 2
CHK'D RYB		DWG A SIZE

OOA	9-20-10	RYB	SEE SHEET 1 OF 2 FOR REVISIONS	V10160HW-DC					
REV	DATE	BY	CHK	DESCRIPTION	ECN	R	CUST	SUP	OTH