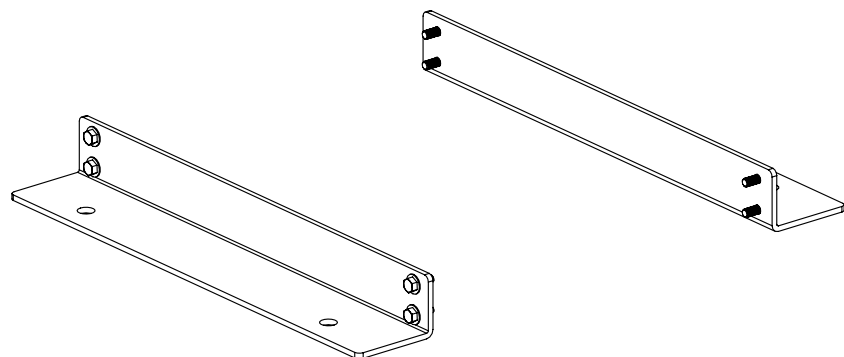


THIS COPY IS PROVIDED ON A RESTRICTED BASIS AND IS NOT TO BE USED IN ANY WAY DETRIMENTAL TO THE INTERESTS OF PANDUIT CORP.

PANDUIT PART NO.	WEIGHT
R4PAK-OSHPD	21.0 LBS/EACH 9.6 Kg/EACH



1. VISIT OUR ON-LINE CATALOG AT [WWW.PANDUIT.COM](http://WWW.PANDUIT.COM) FOR A LIST OF CURRENT PARTS APPLICABLE FOR USE WITH THIS PRODUCT.
2. PARTS SUPPLIED:  
2- BASE ANGLES  
8- 3/8-16 X 1 HEX HEAD BOLTS  
8- GROUNDING WASHERS  
1- INSTRUCTION SHEET
5. FULLY BONDED STRUCTURE WHEN ASSEMBLED PER INSTRUCTIONS.

									TITLE
									R4PAK-OSHPD R4P ANCHOR KIT
									CUSTOMER DRAWING
								ITEM REVISION NAME	
								12V346AF/01.PRT	
								DATASET FILE NAME	
								12V346AF_DC/01A.PRT	
								MATERIAL:	
								N/A	
								DRAWING NUMBER:	
								12V346AF-DC	
O1A	10-28-14	TWV			RELEASED TO PRODUCTION		V09000BU	THIRD ANGLE PROJECTION	
REV	DATE	BY	CHK	APR	DESCRIPTION		ECN	SCALE	
								NONE	
								SHT 1 OF 2	
								SIZE	
								A	

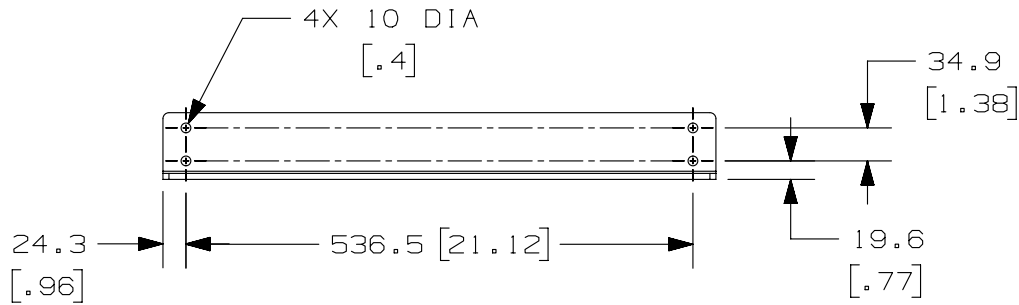
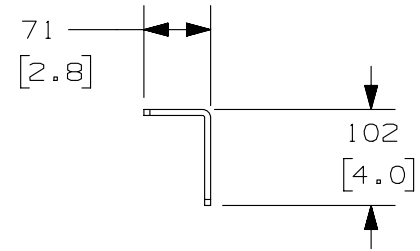
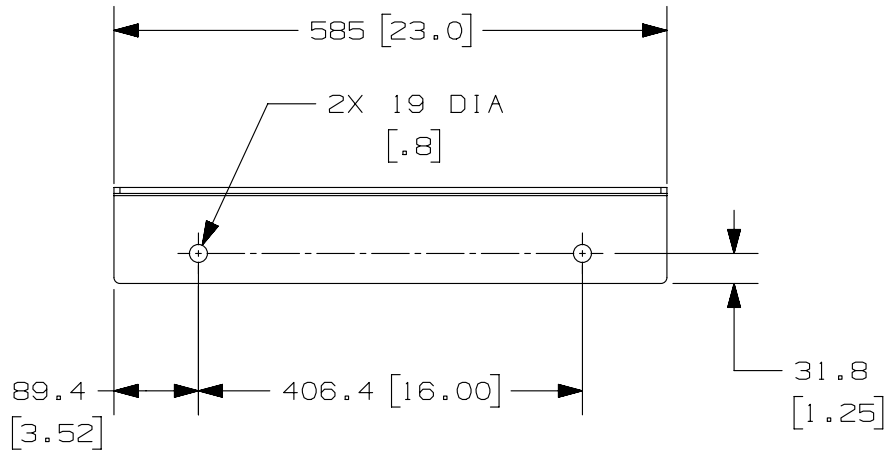
2

1

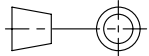
2

1

THIS COPY IS PROVIDED ON A RESTRICTED BASIS AND IS NOT TO BE USED IN ANY WAY DETRIMENTAL TO THE INTERESTS OF PANDUIT CORP.



01A	10-28-14	TWV			SEE SHEET 1 OF 2 FOR REVISIONS	V09000BU
REV	DATE	BY	CHK	APR	DESCRIPTION	ECN

TITLE				R4PAK - OSHPD R4P ANCHOR KIT		
CUSTOMER DRAWING						
ITEM REVISION NAME				12V346AF/01.PRT		
DATASET FILE NAME				12V346AF_DC/01A.PRT		
MATERIAL:				N/A		
DRAWING NUMBER:				12V346AF-DC		
DRAWN BY		DATE		CHK		SCALE
TWV		10-28-14				NONE
THIRD ANGLE PROJECTION						
SHT 2 OF 2		SIZE		A		