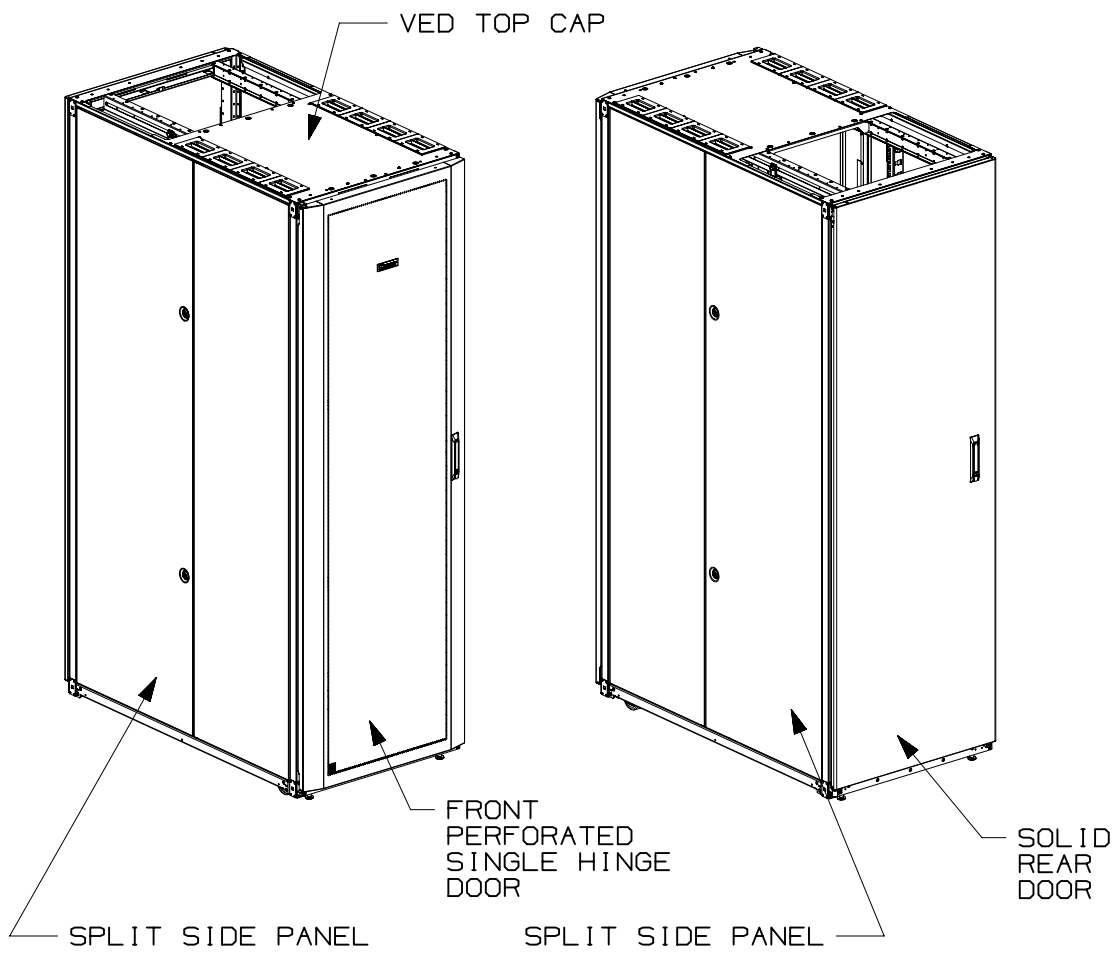


THIS COPY IS PROVIDED ON A RESTRICTED BASIS AND IS NOT TO BE USED IN ANY WAY DETRIMENTAL TO THE INTERESTS OF PANDUIT CORP.

1. VISIT OUR ON-LINE CATALOG AT WWW.PANDUIT.COM FOR A LIST OF CURRENT PARTS APPLICABLE FOR USE WITH THIS PRODUCT.
2. PRIMARY DIMENSIONS ARE IN MILLIMETERS.
3. RAIL ADJUSTMENT MEASUREMENTS ARE TAKEN FROM THE FRONT FACE OF EACH EQUIPMENT RAIL. INDEPENDENT ADJUSTABLE REAR EQUIPMENT MOUNTING RAILS (EIA) ADJUST FROM 141mm [5.5in] TO 532mm [20.9in] AND FROM 583mm [22.9in] TO 1085mm [42.7in] WITH PDU BRACKETS AND CABLE MANAGEMENT FINGERS IN PLACE.
4. CAN BE USED WITH ANY 19" EIA STANDARD COMPONENT IN ADDITION TO ALL PANDUIT HORIZONTAL CABLE MANAGEMENT AND PATCH PANEL PRODUCTS.
5. EIA UNIVERSAL STANDARD HOLE PROGRESSION ON EQUIPMENT RAILS 15.88mm [.625in], 15.88mm [.625in], 12.70mm [.5in], 15.88mm [.625in], 15.88mm [.625in], 12.7mm [.5in]...ETC.
6. PARTS SUPPLIED:
 - BASE CABINET
 - FRONT PERFORATED SINGLE HINGE DOOR (SEE CHART ON SHEET 2)
 - SOLID REAR DOOR (SEE CHART ON SHEET 2)
 - SPLIT SIDE PANELS (SEE CHART ON SHEET 2)
 - CAGE NUT EQUIPMENT RAILS FRONT & REAR (SEE CHART ON SHEET 2)
 - PDU BRACKETS (SEE CHART ON SHEET 2)
 - CASTERS (SEE CHART ON SHEET 2)
 - (8) BEZELS AND BLANKS
 - FLOOR SEAL KIT
 - CABINET HARDWARE KIT
 - INSTRUCTION SHEET
7. RACK UNIT SPACING NUMERALS ARE CLEARLY PRINTED ON EQUIPMENT MOUNTING RAILS.
8. FULLY BONDED STRUCTURE WHEN ASSEMBLED PER INSTRUCTIONS.
9. STATIC LOAD RATING. 1360 Kg (3000 LBS)
10. ROLLING LOAD RATING. 1133 Kg (2500 LBS)
11. SINGLE POINT GROUND LOCATIONS AT TOP AND BOTTOM OF CABINET.
12. ALL CABINET RAILS ARE INSTALLED NUMBERS UP.
13. MAXIMUM EQUIPMENT DEPTH, 1111mm [43.75].



TITLE						NET-ACCESS S TYPE VED READY CABINET 700mm WIDE X 1200mm DEEP FAMILY											
						CUSTOMER DRAWING											
ITEM REVISION NAME						12V343SR/01.PRT											
DATASET FILE NAME						12V343SR_DC/01B.PRT											
O1B 02-27-15 MDCA BRAP TCN REVISED TOP VIEW						V09000HA											
O1A 12-05-14 PBS ADP TCN FLOOR MOUNT DIMENSIONS UPDATED						V09000BX											
OOA 5-24-13 MDCA JDW JDWE RELEASED TO PRODUCTION						12V343SR-DC											
REV						DATE		BY		CHK		SCALE		DRAWING NUMBER:			
DESCRIPTION						ECN		MDCA		5-24-13		JDW		NONE		12V343SR-DC	
												SHT 1 OF 5		SIZE			
														A			

THIS COPY IS PROVIDED ON A RESTRICTED BASIS AND IS NOT TO BE USED IN ANY WAY DETRIMENTAL TO THE INTERESTS OF PANDUIT CORP.

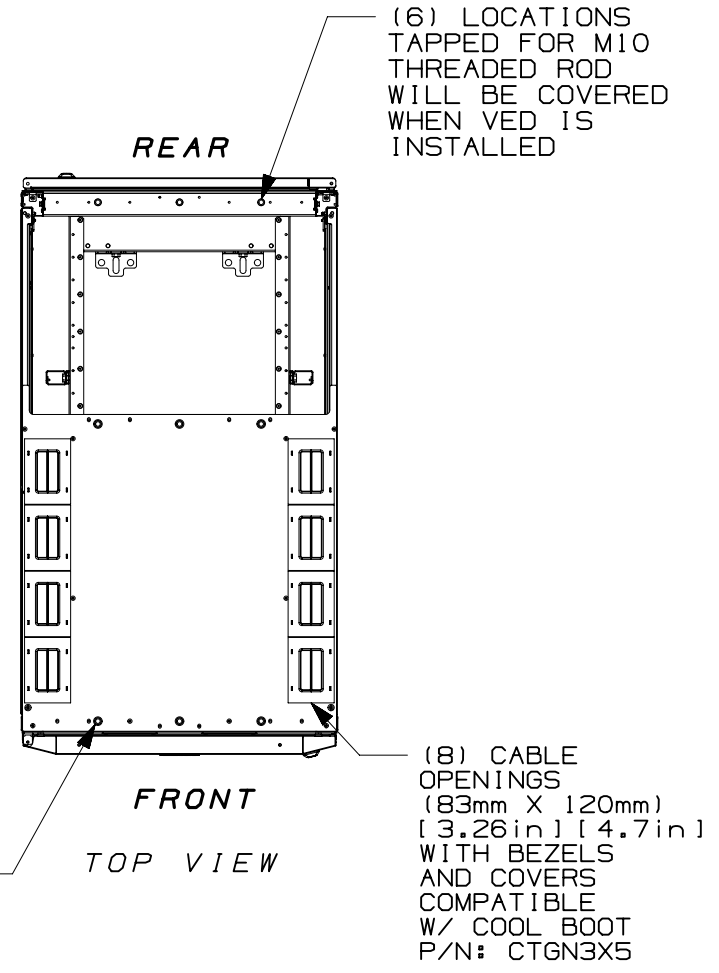
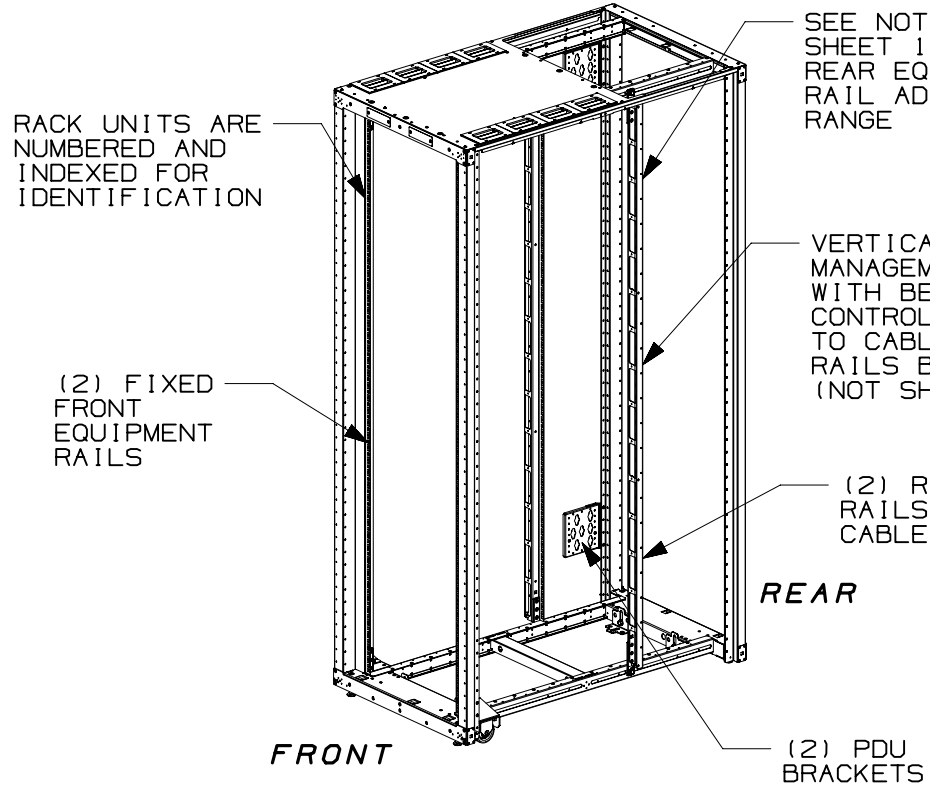
PART NO.	DESCRIPTION	SINGLE HINGE FRONT DOOR	SOLID REAR DOOR	SPLIT SIDE PANEL	FRONT CAGE NUT E-RAIL	REAR CAGE NUT FINGER MGMT E-RAIL	STANDARD PDU BRACKETS	CASTERS	CABLE MGMT FINGERS	CABINET WEIGHT FULLY UNPACKAGED	CABINET WEIGHT SHIPPING WEIGHT
S7222*V	NET-ACCESS S-TYPE VED READY CABINET 700mm X 42RU X 1200mm DEEP	01	01	02	02	02	02	04	00	136 Kg/EACH 301 LBS/EACH	157 Kg/EACH 346 LBS/EACH
S7522*V	NET-ACCESS S-TYPE VED READY CABINET 700mm X 45RU X 1200mm DEEP	01	01	02	02	02	02	04	00	143 Kg/EACH 316 LBS/EACH	164 Kg/EACH 361 LBS/EACH
S7822*V	NET-ACCESS S-TYPE VED READY CABINET 700mm X 48RU X 1200mm DEEP	01	01	02	02	02	02	04	00	150 Kg/EACH 331 LBS/EACH	170 Kg/EACH 376 LBS/EACH
S7229*V	NET-ACCESS S-TYPE VED READY CABINET 700mm X 42RU X 1200mm DEEP	01	01	00	02	02	02	04	00	97 Kg/EACH 213 LBS/EACH	117 Kg/EACH 258 LBS/EACH
S7529*V	NET-ACCESS S-TYPE VED READY CABINET 700mm X 45RU X 1200mm DEEP	01	01	00	02	02	02	04	00	104 Kg/EACH 229 LBS/EACH	124 Kg/EACH 274 LBS/EACH
S7829*V	NET-ACCESS S-TYPE VED READY CABINET 700mm X 48RU X 1200mm DEEP	01	01	00	02	02	02	04	00	111 Kg/EACH 244 LBS/EACH	131 Kg/EACH 289 LBS/EACH

* DENOTES COLOR
 "B" = BLACK
 "W" = WHITE

REV	DATE	BY	CHK	APR	DESCRIPTION	ECN
01B	02-27-15	MDCA	BRAP	TCN	SEE SHEET 1 OF 5 FOR REVISIONS	V09000HA
01A	12-05-14	PBS	ADP	TCN	SEE SHEET 1 OF 5 FOR REVISIONS	V09000BX
00A	5-24-13	MDCA	JDW	JDWE	SEE SHEET 1 OF 5 FOR REVISIONS	12V343SR-DC

TITLE		NET-ACCESS S TYPE VED READY CABINET 700mm WIDE X 1200mm DEEP FAMILY	
		CUSTOMER DRAWING	
ITEM REVISION NAME		12V343SR/01.PRT	
DATASET FILE NAME		12V343SR_DC/01B.PRT	
MATERIAL:		N/A	
DRAWING NUMBER:		12V343SR-DC	
DRAWN BY		DATE	CHK
MDCA	5-24-13	JDW	
SCALE		THIRD ANGLE PROJECTION	
NONE			
SHT 2 OF 5		SIZE	
		A	

THIS COPY IS PROVIDED ON A RESTRICTED BASIS AND IS NOT TO BE USED IN ANY WAY DETRIMENTAL TO THE INTERESTS OF PANDUIT CORP.

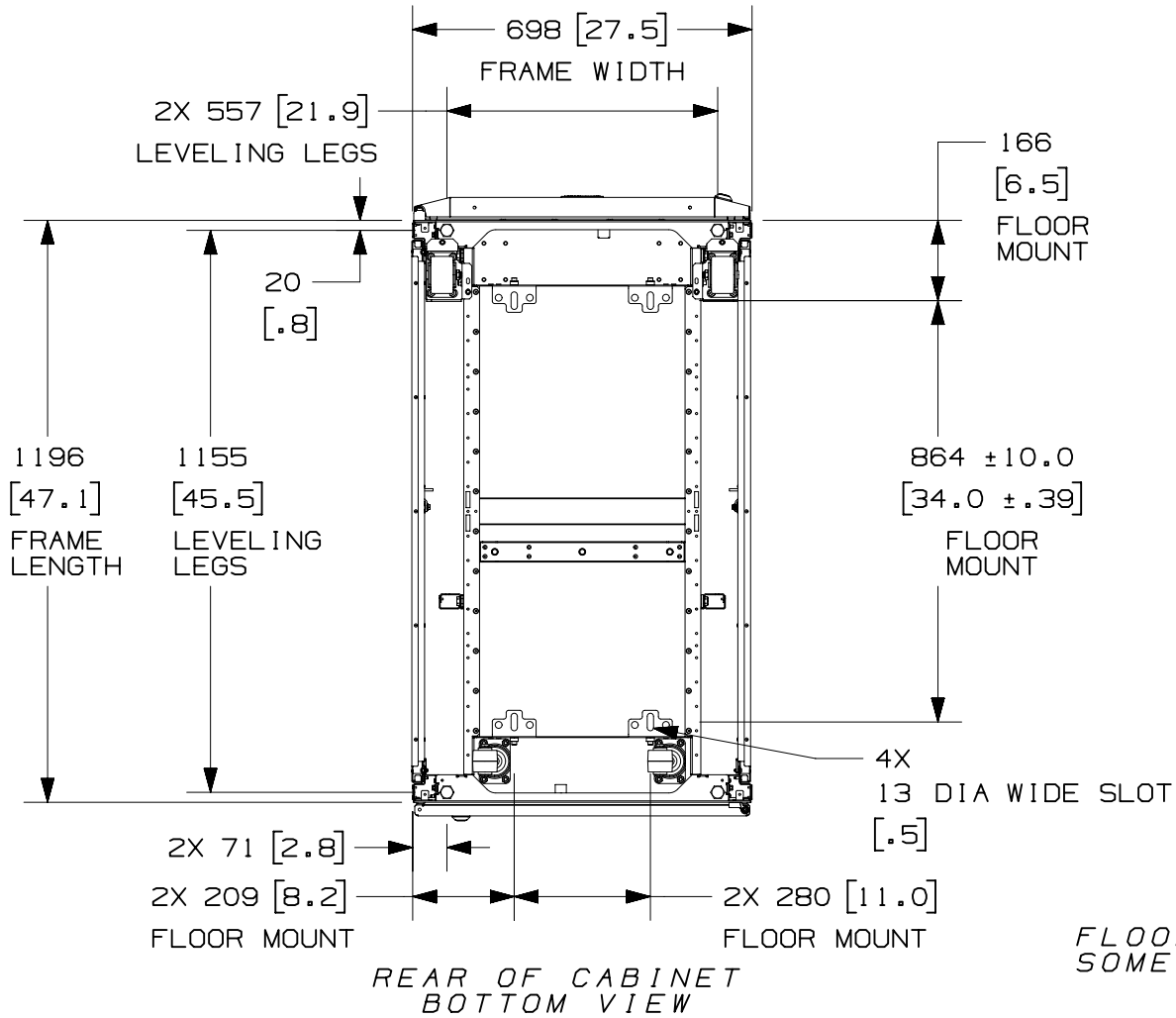


FRONT DOOR, REAR DOOR, AND SIDE PANELS NOT SHOWN

REV	DATE	BY	CHK	APR	DESCRIPTION	ECN
01B	02-27-15	MDCA	BRAP	TCN	SEE SHEET 1 OF 5 FOR REVISIONS	V09000HA
01A	12-05-14	PBS	ADP	TCN	SEE SHEET 1 OF 5 FOR REVISIONS	V09000BX
00A	5-24-13	MDCA	JDW	JDWE	SEE SHEET 1 OF 5 FOR REVISIONS	12V343SR-DC


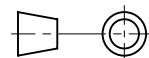
TITLE				NET-ACCESS S TYPE VED READY CABINET 700mm WIDE X 1200mm DEEP FAMILY			
				CUSTOMER DRAWING			
ITEM REVISION NAME				12V343SR/01.PRT			
DATASET FILE NAME				12V343SR_DC/01B.PRT			
MATERIAL:				N/A			
DRAWING NUMBER:				12V343SR-DC			
DRAWN BY		DATE		CHK		SCALE	
MDCA		5-24-13		JDW		NONE	
THIRD ANGLE PROJECTION				SHT 4 OF 5			
				SIZE			
				A			

THIS COPY IS PROVIDED ON A RESTRICTED BASIS AND IS NOT TO BE USED IN ANY WAY DETRIMENTAL TO THE INTERESTS OF PANDUIT CORP.



FLOOR MOUNTING HOLE LOCATIONS - SOME PARTS REMOVED FOR CLARITY

REAR OF CABINET
BOTTOM VIEW

						TITLE NET-ACCESS S TYPE VED READY CABINET 700mm WIDE X 1200mm DEEP FAMILY CUSTOMER DRAWING	
						ITEM REVISION NAME 12V343SR/01.PRT	
						DATASET FILE NAME 12V343SR_DC/01B.PRT	
						UNLESS OTHERWISE SPECIFIED, DIMENSIONAL TOLERANCES ARE:	
01B	02-27-15	MDCA	BRAP	TCN	SEE SHEET 1 OF 5 FOR REVISIONS	V09000HA	 MATERIAL: N/A DRAWING NUMBER: 12V343SR-DC
01A	12-05-14	PBS	ADP	TCN	SEE SHEET 1 OF 5 FOR REVISIONS	V09000BX	
00A	5-24-13	MDCA	JDW	JDWE	SEE SHEET 1 OF 5 FOR REVISIONS	12V343SR-DC	
REV	DATE	BY	CHK	APR	DESCRIPTION	ECN	 THIRD ANGLE PROJECTION DRAWN BY: MDCA DATE: 5-24-13 CHK: JDW SCALE: NONE SHT 5 OF 5 SIZE: A