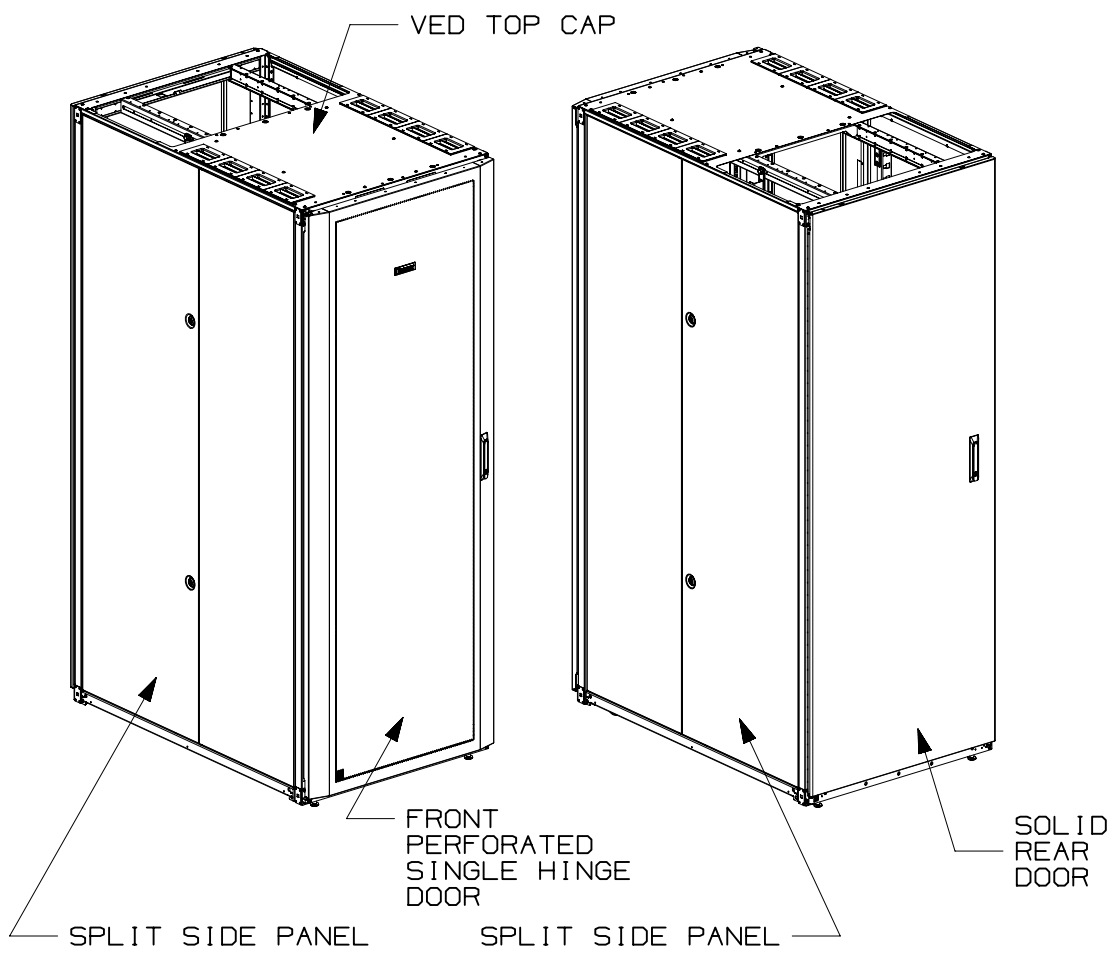


THIS COPY IS PROVIDED ON A RESTRICTED BASIS AND IS NOT TO BE USED IN ANY WAY DETRIMENTAL TO THE INTERESTS OF PANDUIT CORP.



1. VISIT OUR ON-LINE CATALOG AT WWW.PANDUIT.COM FOR A LIST OF CURRENT PARTS APPLICABLE FOR USE WITH THIS PRODUCT.
2. PRIMARY DIMENSIONS ARE IN MILLIMETERS.
3. RAIL ADJUSTMENTS MEASUREMENTS ARE TAKEN FROM THE FRONT FACE OF EACH EQUIPMENT RAIL. INDEPENDENT ADJUSTABLE REAR EQUIPMENT MOUNTING RAILS (EIA) ADJUST FROM 141mm [5.5in] TO 532mm [20.9in] AND FROM 583mm [22.9in] TO 1085mm [42.7in] WITH PDU BRACKETS AND CABLE MANAGEMENT FINGERS IN PLACE.
4. CAN BE USED WITH ANY 19" EIA STANDARD COMPONENT IN ADDITION TO ALL PANDUIT HORIZONTAL CABLE MANAGEMENT AND PATCH PANEL PRODUCTS.
5. EIA UNIVERSAL STANDARD HOLE PROGRESSION ON EQUIPMENT RAILS 15.88mm [.625in], 15.88mm [.625in], 12.70mm [.5in], 15.88mm [.625in], 15.88mm [.625in], 12.7mm [.5in]...ETC.
6. PARTS SUPPLIED:
 - BASE CABINET
 - FRONT PERFORATED SINGLE HINGE DOOR (SEE CHART ON SHEET 2)
 - SOLID REAR DOOR (SEE CHART ON SHEET 2)
 - CAGE NUT EQUIPMENT RAILS FRONT & REAR (SEE CHART ON SHEET 2)
 - PDU BRACKETS (SEE CHART ON SHEET 2)
 - CASTERS (SEE CHART ON SHEET 2)
 - (8) BEZELS AND BLANKS
 - FLOOR SEAL KIT
 - CABINET HARDWARE KIT
 - INSTRUCTION SHEET
7. RACK UNIT SPACING NUMERALS ARE CLEARLY PRINTED ON EQUIPMENT MOUNTING RAILS.
8. FULLY BONDED STRUCTURE WHEN ASSEMBLED PER INSTRUCTIONS.
9. STATIC LOAD RATING. 1360 Kg (3000 LBS)
10. ROLLING LOAD RATING. 1133 Kg (2500 LBS)
11. SINGLE POINT GROUND LOCATIONS AT TOP AND BOTTOM OF CABINET.
12. ALL CABINET RAILS ARE INSTALLED NUMBERS UP.
13. MAXIMUM EQUIPMENT DEPTH, 1111mm [43.75].

REV	DATE	BY	CHK	APR	DESCRIPTION	ECN
O1B	03-10-15	MDCA	BRAP	TCN	REVISED TOP VIEW	V09000HA
O1A	12-08-14	PBS	ADP	TCN	FLOOR MOUNT DIMENSIONS UPDATED	V09000BX
OOA	2-19-13	TWV	JDW	JDWE	RELEASED TO PRODUCTION	12V343SS-DC

TITLE		NET-ACCESS S TYPE VED READY CABINET 800mm WIDE X 1200mm DEEP FAMILY		
		CUSTOMER DRAWING		
ITEM REVISION NAME		12V343SS/01.PRT		
DATASET FILE NAME		12V343SS_DC/01B.PRT		
		MATERIAL: N/A		
		DRAWING NUMBER: 12V343SS-DC		
DRAWN BY		DATE	CHK	SCALE
T WV		2-19-13	JDW	NONE
		THIRD ANGLE PROJECTION		
SHT 1 OF 5		SIZE A		

THIS COPY IS PROVIDED ON A RESTRICTED BASIS AND IS NOT TO BE USED IN ANY WAY DETRIMENTAL TO THE INTERESTS OF PANDUIT CORP.

PART NO.	DESCRIPTION	SINGLE HINGE FRONT DOOR	SOLID REAR DOOR	SPLIT SIDE PANEL	FRONT CAGE NUT E-RAIL	REAR CAGE NUT FINGER MGMT E-RAIL	STANDARD PDU BRACKETS	CASTERS	CABLE MGMT FINGERS	CABINET WEIGHT FULLY UNPACKAGED	CABINET WEIGHT SHIPPING WEIGHT
S8222*V	NET-ACCESS S-TYPE VED READY CABINET 800mm X 42RU X 1200mm DEEP	01	01	02	02	02	02	04	00	149 Kg/EACH 328 LBS/EACH	169 Kg/EACH 373 LBS/EACH
S8522*V	NET-ACCESS S-TYPE VED READU CABINET 800mm X 45RU X 1200mm DEEP	01	01	02	02	02	02	04	00	162 Kg/EACH 358 LBS/EACH	183 Kg/EACH 403 LBS/EACH
S8822*V	NET-ACCESS S-TYPE VED READY CABINET 800mm X 48RU X 1200mm DEEP	01	01	02	02	02	02	04	00	176 Kg/EACH 388 LBS/EACH	196 Kg/EACH 433 LBS/EACH
S8229*V	NET-ACCESS S-TYPE VED READY CABINET 800mm X 42RU X 1200mm DEEP	01	01	00	02	02	02	04	00	109 Kg/EACH 241 LBS/EACH	130 Kg/EACH 286 LBS/EACH
S8529*V	NET-ACCESS S-TYPE VED READU CABINET 800mm X 45RU X 1200mm DEEP	01	01	00	02	02	02	04	00	116 Kg/EACH 256 LBS/EACH	136 Kg/EACH 301 LBS/EACH
S8829*V	NET-ACCESS S-TYPE VED READY CABINET 800mm X 48RU X 1200mm DEEP	01	01	00	02	02	02	04	00	123 Kg/EACH 271 LBS/EACH	143 Kg/EACH 316 LBS/EACH

* DENOTES COLOR
 "B" = BLACK
 "W" = WHITE

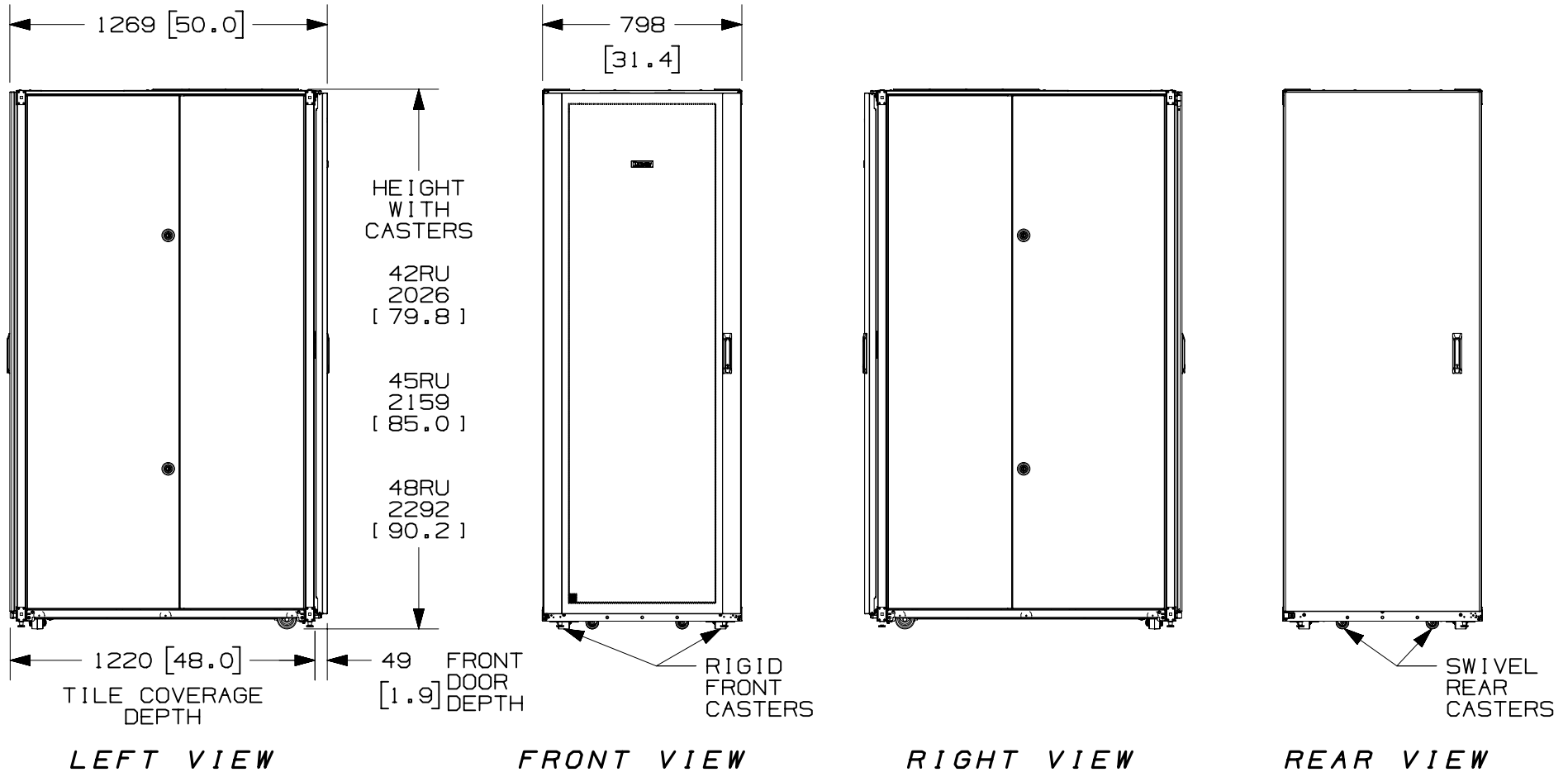
REV	DATE	BY	CHK	APR	DESCRIPTION	ECN
01B	03-10-15	MDCA	BRAP	TCN	SEE SHEET 1 OF 5 FOR REVISIONS	V09000HA
01A	12-08-14	PBS	ADP	TCN	SEE SHEET 1 OF 5 FOR REVISIONS	V09000BX
00A	2-19-13	TWV	JDW	JDWE	SEE SHEET 1 OF 5 FOR REVISIONS	12V343SS-DC

TITLE		NET-ACCESS S TYPE VED READY CABINET 800mm WIDE X 1200mm DEEP FAMILY	
		CUSTOMER DRAWING	
ITEM REVISION NAME		12V343SS/01.PRT	
DATASET FILE NAME		12V343SS_DC/01B.PRT	
MATERIAL:		N/A	
DRAWING NUMBER:		12V343SS-DC	
THIRD ANGLE PROJECTION			
DRAWN BY	DATE	CHK	SCALE
TWV	2-19-13	JDW	NONE
SHT 2 OF 5			SIZE
			A

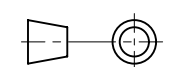
2

1

THIS COPY IS PROVIDED ON A RESTRICTED BASIS AND IS NOT TO BE USED IN ANY WAY DETRIMENTAL TO THE INTERESTS OF PANDUIT CORP.



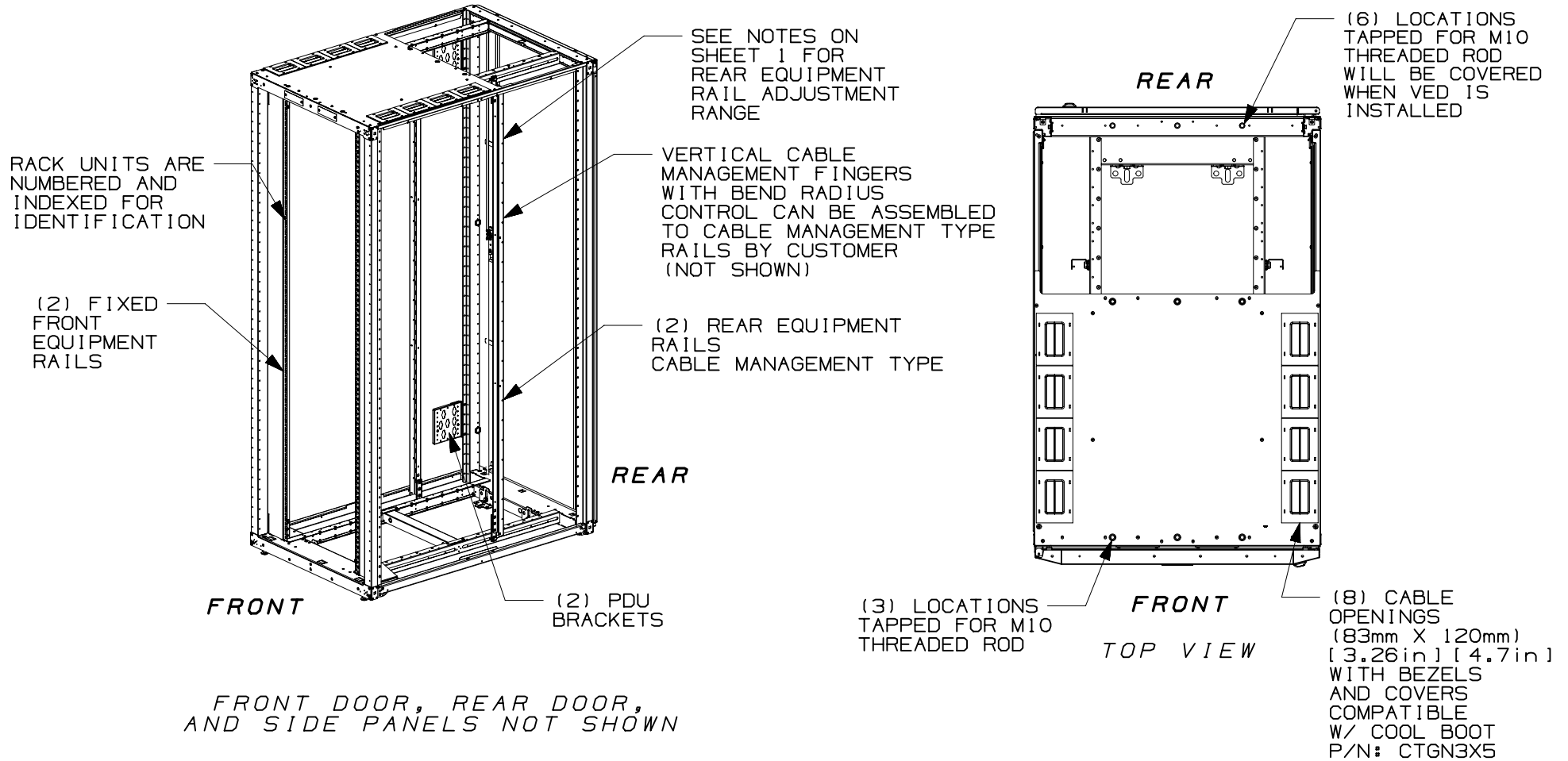
REV	DATE	BY	CHK	APR	DESCRIPTION	ECN
01B	03-10-15	MDCA	BRAP	TCN	SEE SHEET 1 OF 5 FOR REVISIONS	V09000HA
01A	12-08-14	PBS	ADP	TCN	SEE SHEET 1 OF 5 FOR REVISIONS	V09000BX
00A	2-19-13	TWV	JDW	JDWE	SEE SHEET 1 OF 5 FOR REVISIONS	12V343SS-DC

TITLE NET-ACCESS S TYPE VED READY CABINET 800mm WIDE X 1200mm DEEP FAMILY CUSTOMER DRAWING		PANDUIT
ITEM REVISION NAME 12V343SS/01.PRT	DATASET FILE NAME 12V343SS_DC/01B.PRT	
MATERIAL: N/A		DRAWING NUMBER: 12V343SS-DC
 THIRD ANGLE PROJECTION		SCALE NONE
DRAWN BY TWV	DATE 2-19-13	CHK JDW
SHT 3 OF 5		SIZE A

2

1

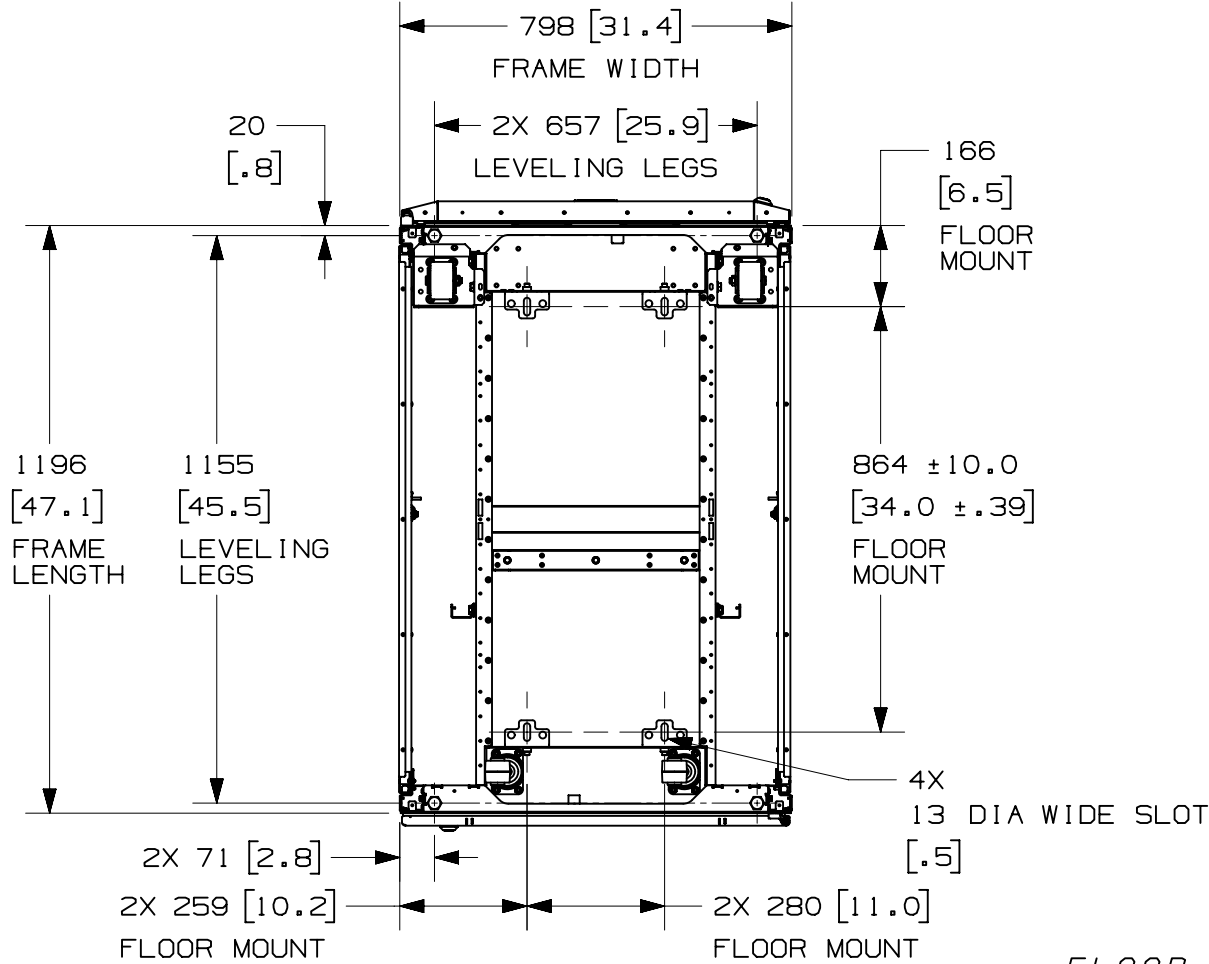
THIS COPY IS PROVIDED ON A RESTRICTED BASIS AND IS NOT TO BE USED IN ANY WAY DETRIMENTAL TO THE INTERESTS OF PANDUIT CORP.



REV	DATE	BY	CHK	APR	DESCRIPTION	ECN
01B	03-10-15	MDCA	BRAP	TCN	SEE SHEET 1 OF 5 FOR REVISIONS	V09000HA
01A	12-08-14	PBS	ADP	TCN	SEE SHEET 1 OF 5 FOR REVISIONS	V09000BX
00A	2-19-13	TWV	JDW	JDWE	SEE SHEET 1 OF 5 FOR REVISIONS	12V343SS-DC

TITLE		NET-ACCESS S TYPE VED READY CABINET 800mm WIDE X 1200mm DEEP FAMILY	
CUSTOMER DRAWING		PANDUIT	
ITEM REVISION NAME			
DATASET FILE NAME		12V343SS_DC/01B.PRT	
MATERIAL:		N/A	
DRAWING NUMBER:		12V343SS-DC	
THIRD ANGLE PROJECTION			
DRAWN BY	DATE	CHK	SCALE
TWV	2-19-13	JDW	NONE
SHT 4 OF 5		A	

THIS COPY IS PROVIDED ON A RESTRICTED BASIS AND IS NOT TO BE USED IN ANY WAY DETRIMENTAL TO THE INTERESTS OF PANDUIT CORP.



REAR OF CABINET
BOTTOM VIEW

FLOOR MOUNTING HOLE LOCATIONS -
SOME PARTS REMOVED FOR CLARITY

REV	DATE	BY	CHK	APR	DESCRIPTION	ECN
O1B	03-10-15	MDCA	BRAP	TCN	SEE SHEET 1 OF 5 FOR REVISIONS	V09000HA
O1A	12-08-14	PBS	ADP	TCN	SEE SHEET 1 OF 5 FOR REVISIONS	V09000BX
OOA	2-19-13	TWV	JDW	JDWE	SEE SHEET 1 OF 5 FOR REVISIONS	12V343SS-DC

TITLE				NET-ACCESS S TYPE VED READY CABINET 800mm WIDE X 1200mm DEEP FAMILY			
				CUSTOMER DRAWING			
ITEM REVISION NAME				12V343SS/01.PRT			
DATASET FILE NAME				12V343SS_DC/01B.PRT			
							
				MATERIAL:			
				N/A			
				DRAWING NUMBER:			
				12V343SS-DC			
DRAWN BY		DATE		CHK		SCALE	
TWV		2-19-13		JDW		NONE	
				THIRD ANGLE PROJECTION			
SHT 5 OF 5		A					