

THIS COPY IS PROVIDED ON A RESTRICTED BASIS AND IS NOT TO BE USED IN ANY WAY DETRIMENTAL TO THE INTERESTS OF PANDUIT CORP.

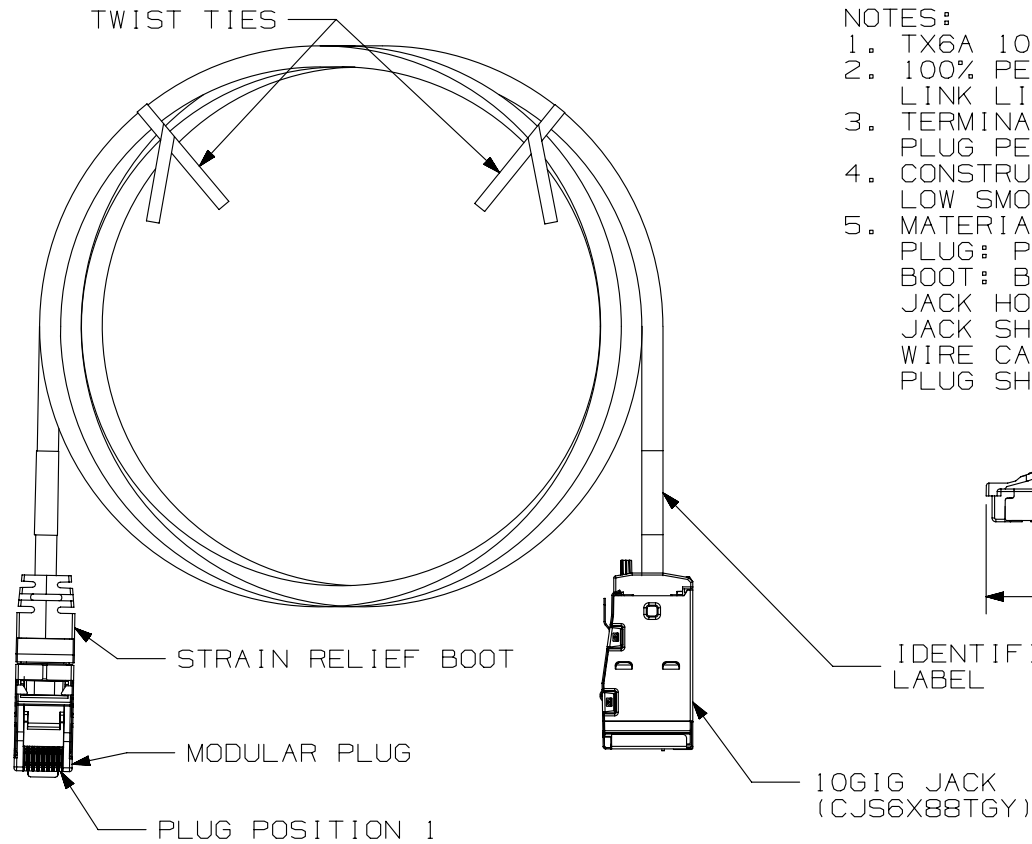


FIGURE 1

T568B WIRING SCHEME

PLUG POSITION:	CABLE WIRE:
1	WHITE/ORANGE
2	ORANGE
3	WHITE/GREEN
4	BLUE
5	WHITE/BLUE
6	GREEN
7	WHITE/BROWN
8	BROWN

NOTES:

1. TX6A 10GIG PLUG-TO-JACK ZONE CORD
2. 100% PERFORMANCE TESTED TO CATEGORY 6A PERMANENT LINK LIMITS
3. TERMINATED AT ONE END WITH (8 POSITION) RJ45 MODULAR PLUG PER T568B AND AT OTHER END WITH TX6A 10GIG JACK
4. CONSTRUCTED WITH 23AWG SOLID CATEGORY 6A STP LOW SMOKE ZERO HALOGEN, PLENUM, OR RISER CABLE.
5. MATERIALS:  
 PLUG: POLYCARBONATE  
 BOOT: BLACK PVC  
 JACK HOUSING: ABS  
 JACK SHIELD: TIN PLATED OVER PHOS. BRONZE  
 WIRE CAP/CLIP: ZINC AND PC  
 PLUG SHIELD: COPPER ALLOY NICKEL PLATED

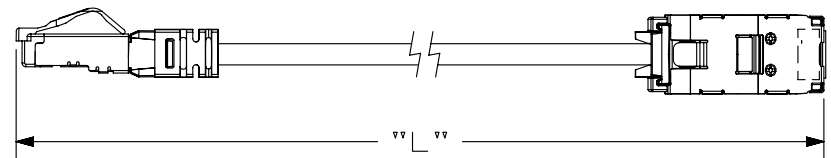


FIGURE 2

SEE SHEET 2 FOR ZONE CORD LENGTHS AND PART NUMBERS

PART NUMBER <b>SAJ* SERIES</b>		PRODUCT SPEC/PKG SPEC N/A	
I.I. NUMBER N/A		WORK INSTRUCTION N/A	
TITLE <b>TX6A 10GIG SHIELDED PLUG-TO-JACK ZONE CORD</b>			
CUSTOMER DRAWING			
ITEM REVISION NAME <b>M02678BI_DC09_00A/AA</b>		<b>PANDUIT</b>	
DATASET FILE NAME <b>M02678BI_DC09/00F</b>			
UNLESS OTHERWISE SPECIFIED, DIMENSIONAL TOLERANCES ARE: IN [ mm ]		MATERIAL: <b>SEE NOTES</b>	
.x ± .1 [ 2.54 ]      .xxx ± .005 [ .127 ]		DRAWING NUMBER: <b>02678-09</b>	
.xx ± .01 [ .25 ]      ANGLES ± 5 °		THIRD ANGLE PROJECTION	
DRAWN BY <b>BJN</b>	DATE <b>3-5-08</b>	CHK <b>RJDU</b>	SCALE <b>NONE</b>
REV	DATE	BY	CHK
APR	DESCRIPTION		ECN
		<b>SHT 1 OF 2</b>	
		<b>A</b>	

5	12-17-13	BJN	EJH	EJH	UPDATED	02678-09
REV	DATE	BY	CHK	APR	DESCRIPTION	ECN

D10100DA/14

THIS COPY IS PROVIDED ON A RESTRICTED BASIS AND IS NOT TO BE USED IN ANY WAY DETRIMENTAL TO THE INTERESTS OF PANDUIT CORP.  
 10GIG STP PLUG-TO-PLUG ZONE CORDS

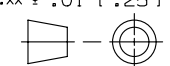
LSZH	CMP	CMR
PART NUMBERS	PART NUMBERS	PART NUMBERS
SAJLWH**MBL	SAJPBU**	SAJRBU**
MIN. CABLE LENGTH	MIN. CABLE LENGTH	MIN. CABLE LENGTH
4 METERS (158")	10 FEET (120")	10 FEET (120")
5 METERS (197")	15 FEET (180")	15 FEET (180")
6 METERS (237")	20 FEET (240")	20 FEET (240")
7 METERS (276")	25 FEET (300")	25 FEET (300")
8 METERS (315")	30 FEET (360")	30 FEET (360")
9 METERS (355")	35 FEET (420")	35 FEET (420")
10 METERS (394")	40 FEET (480")	40 FEET (480")
11 METERS (434")	45 FEET (540")	45 FEET (540")
12 METERS (473")	50 FEET (600")	50 FEET (600")
13 METERS (512")	55 FEET (660")	55 FEET (660")
14 METERS (552")	60 FEET (720")	60 FEET (720")
15 METERS (591")	65 FEET (780")	65 FEET (780")
16 METERS (630")	70 FEET (840")	70 FEET (840")
18 METERS (709")	75 FEET (900")	75 FEET (900")
20 METERS (788")	80 FEET (960")	80 FEET (960")
22 METERS (867")	85 FEET (1020")	85 FEET (1020")
24 METERS (945")	90 FEET (1080")	90 FEET (1080")
26 METERS (1024")	95 FEET (1140")	95 FEET (1140")
28 METERS (1103")	100 FEET (1200")	100 FEET (1200")
30 METERS (1182")	110 FEET (1320")	110 FEET (1320")
32 METERS (1260")	120 FEET (1440")	120 FEET (1440")
34 METERS (1339")	130 FEET (1560")	130 FEET (1560")
36 METERS (1418")	140 FEET (1680")	140 FEET (1680")
38 METERS (1497")	150 FEET (1800")	150 FEET (1800")
40 METERS (1575")		
42 METERS (1654")		
44 METERS (1733")		
46 METERS (1812")		
48 METERS (1890")		
50 METERS (1969")		

LSZH OFFERED WITH WHITE CABLE. (METERS ONLY)

CMR & CMR OFFERED WITH BLUE CABLE. (FEET ONLY)

STRAIN RELIEF BOOTS AVAILABLE IN BLACK ONLY.

\*\*=LENGTH (SEE FIGURE 2, SHEET 1)

PART NUMBER	SAJ* SERIES	PRODUCT SPEC/PKG SPEC	N/A
I.I. NUMBER	N/A	WORK INSTRUCTION	N/A
TITLE			
<b>TX6A 10GIG SHIELDED PLUG-TO-JACK ZONE CORD</b>			
CUSTOMER DRAWING			
ITEM REVISION NAME	M02678BI_DC09_00A/AA		
DATASET FILE NAME	M02678BI_DC09/00F		
UNLESS OTHERWISE SPECIFIED, DIMENSIONAL TOLERANCES ARE: IN [ mm ]		MATERIAL:	
.x ± .1 [ 2.54 ]	.xxx ± .005 [ .127 ]	<b>SEE NOTES</b>	
.xx ± .01 [ .25 ]	ANGLES ± 5 °		
		DRAWING NUMBER:	
		02678-09	
DRAWN BY	DATE	CHK	SCALE
BJN	3-5-08	RJDU	NONE
SHT 2 OF 2			SIZE
			A

5	12-17-13	BJN	EJH	EJH	SEE SHEET 1 FOR REVISION HISTORY	02678-09
REV	DATE	BY	CHK	APR	DESCRIPTION	ECN

D10100DA/14