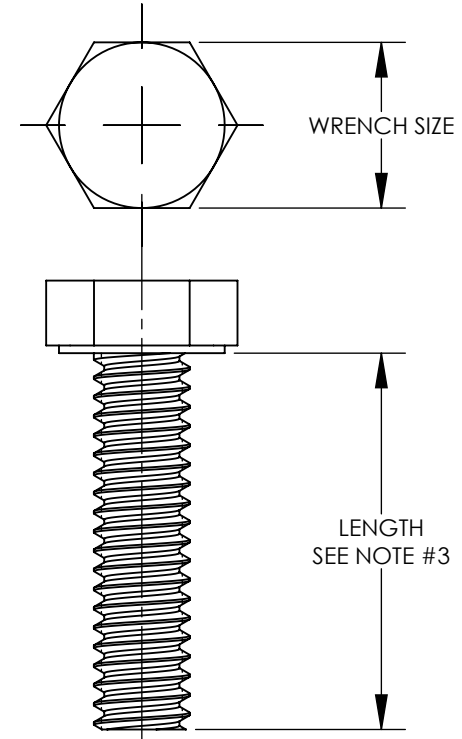


THIS COPY IS PROVIDED ON A RESTRICTED BASIS AND IS NOT TO BE USED IN ANY WAY DETRIMENTAL TO THE INTERESTS OF PANDUIT CORP.

NOTES:

1. MATERIAL: SILICON BRONZE
2. DIMENSIONS IN BRACKETS ARE MILLIMETERS
3. ALL BOLTS ARE FULLY THREADED
4. PKG QTY:
L = 50
C = 100

PART NUMBER	THREAD	LENGTH	WRENCH SIZE	PART NUMBER	THREAD	LENGTH	WRENCH SIZE		
SBBOLT2550-C	1/4-20	.50 [12.7]	7/16	SBBOLT44150-C	7/16-14	1.50 [38.1]	5/8		
SBBOLT2562-C		.62 [15.7]		SBBOLT44200-C		2.00 [50.8]			
SBBOLT2575-C		.75 [19.1]		SBBOLT5050-C	1/2-13	.50 [12.7]	3/4		
SBBOLT25100-C		1.00 [25.4]		SBBOLT5062-C		.62 [15.7]			
SBBOLT25125-C		1.25 [31.8]		SBBOLT5075-C		.75 [19.1]			
SBBOLT25150-C		1.50 [38.1]		SBBOLT50100-C		1.00 [25.4]			
SBBOLT25200-C		2.00 [50.8]		SBBOLT50125-C		1.25 [31.8]			
SBBOLT25250-C		2.50 [63.5]		SBBOLT50150-C		1.50 [38.1]			
SBBOLT25300-C		3.00 [76.2]		SBBOLT50175-C		1.75 [44.5]			
SBBOLT3150-C		5/16-18		.50 [12.7]		1/2		SBBOLT50200-C	5/8-11
SBBOLT3162-C	.62 [15.7]		SBBOLT50250-C	2.50 [63.5]					
SBBOLT3175-C	.75 [19.1]		SBBOLT50300-L	3.00 [76.2]					
SBBOLT31100-C	1.00 [25.4]		SBBOLT6250-C	.50 [12.7]					
SBBOLT31125-C	1.25 [31.8]		SBBOLT6262-C	.62 [15.7]					
SBBOLT31150-C	1.50 [38.1]		SBBOLT62100-C	1.00 [25.4]					
SBBOLT31175-C	1.75 [44.5]		SBBOLT62125-C	1.25 [31.8]					
SBBOLT31200-C	2.00 [50.8]		SBBOLT62150-L	1.50 [38.1]					
SBBOLT31250-C	2.50 [63.5]		SBBOLT62200-L	2.00 [50.8]					
SBBOLT31300-C	3.00 [76.2]		SBBOLT62250-L	2.50 [63.5]					
SBBOLT3850-C	3/8-16	.50 [12.7]	9/16	SBBOLT62300-L	3.00 [76.2]				
SBBOLT3862-C		.62 [15.7]							
SBBOLT3875-C		.75 [19.1]							
SBBOLT38100-C		1.00 [25.4]							
SBBOLT38125-C		1.25 [31.8]							
SBBOLT38150-C		1.50 [38.1]							
SBBOLT38175-C		1.75 [44.5]							
SBBOLT38200-C		2.00 [50.8]							
SBBOLT38250-C		2.50 [63.5]							
SBBOLT38300-C		3.00 [76.2]							



REV	DATE	BY	CHK	APR	DESCRIPTION	ECN
01	8/16	JHNU	JHNU	RGB	REVISED WRENCH SIZE FOR SBBOLT44150-C, SBBOLT44200-C: 5/8 WAS 11/16	15J350BA-DC
00	2/16	JHNU	JHNU	RGB	DRAWING RELEASED	15J350BA-DC

TITLE SILICON BRONZE HEX HEAD BOLTS (SBBOLT SERIES) CUSTOMER DRAWING			
ITEM REVISION NAME 13J350BA/01		PANDUIT	
DATASET FILE NAME 15J350BA-DC/01.SLDDRW			
UNLESS OTHERWISE SPECIFIED, DIMENSIONAL TOLERANCES ARE: IN [mm] .X ± .XXX ± .XX ± .02 [0.5] ANGLES ±		MATERIAL SEE NOTES	
DRAWN BY JHNU		DRAWING NUMBER 15J350BA-DC	
DATE 2/16	CHK RGB	SCALE N/A	SHEET 1 OF 1
			SIZE A