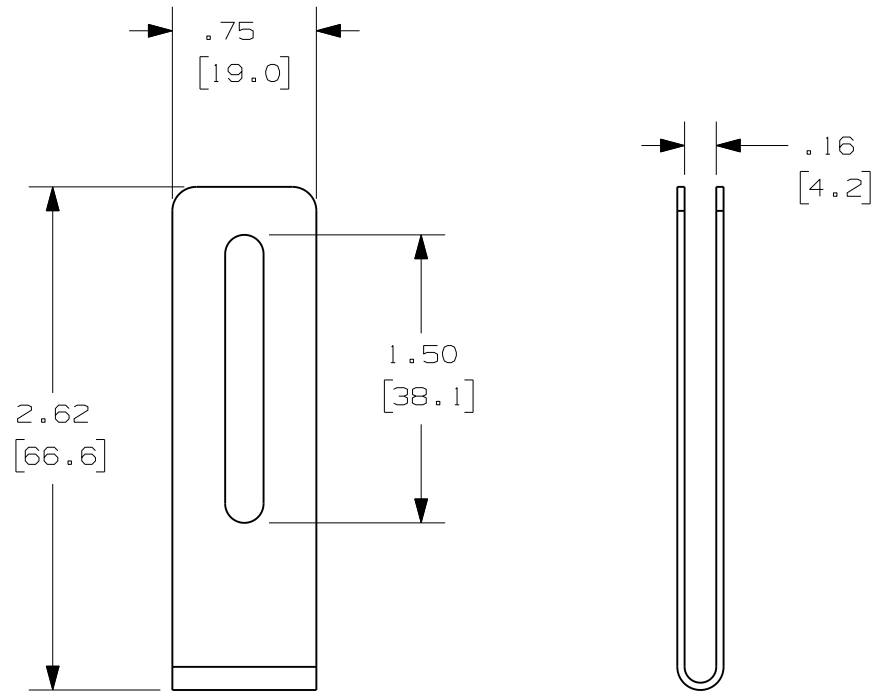


THIS COPY IS PROVIDED ON A RESTRICTED BASIS AND IS NOT TO BE USED IN ANY WAY DETRIMENTAL TO THE INTERESTS OF PANDUIT CORP.



CAD FILENAME/LAYERS D11000VU-DC/00A

PANDUIT CORP. TINLEY PARK, ILLINOIS

BONDING CLIP
MARKETING DRAWING

UNLESS OTHERWISE SPECIFIED,
DIMENSIONAL TOLERANCES ARE:
(.X) ± (.XXX) ± ---
(.XX) ± ANGLE ±

UNLESS OTHERWISE SPECIFIED,
ALL DIMENSIONS ARE GIVEN
IN INCHES, THIRD ANGLE PROJECTION.

DRAWN BY
LEF
DATE
4/20/10
CHK'D
MKBE

MAT'L;
GALVANNEALED
STEEL

SCALE
1X
DRAWING NO.
D11000VU-DC
DWG
A
SIZE

REV	DATE	BY	CHK	DESCRIPTION	ECN	R	CUST	SUP
R	4/20/10	LEF	MKBE	DRAWING RELEASED				