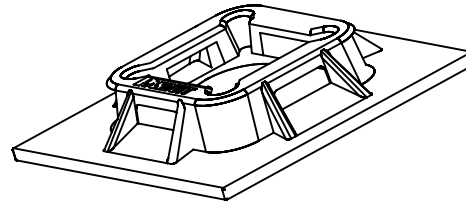
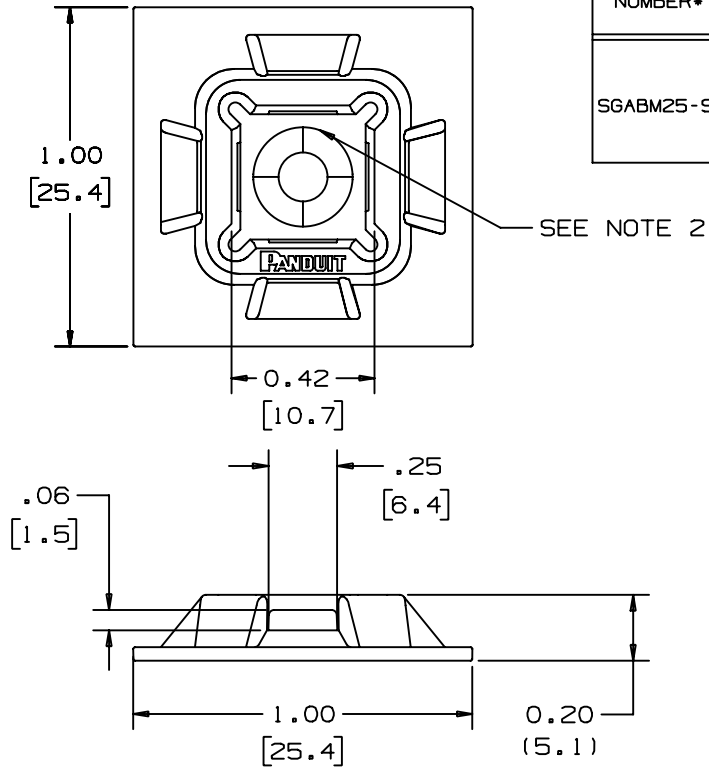


THIS COPY IS PROVIDED ON A RESTRICTED BASIS AND IS NOT TO BE USED IN ANY WAY DETRIMENTAL TO THE INTERESTS OF PANDUIT CORP.

PANDUIT PART NUMBER*	MAT'L SUFFIX	MATERIAL	WEIGHT lbs/100 pcs (g)/100 pcs	USE WITH ANY OF THESE CABLE TIE CROSS-SECTIONS
SGABM25-S6- _	NONE	NYLON 6/6 (WHITE)	0.26 (119)	SG200 ^{M, I, S} , SG250, SG300
	-0	WEATHER RESISTANT NYLON (BLACK)		
	-69	FLAME RETARDANT NYLON (IVORY)		



NOTES:

- *1. SEE CURRENT PRICE SHEET FOR PART NUMBER SUFFIX DESIGNATION FOR PACKAGE SIZE.
- 2. HOLE FOR STANDARD S6 FLAT HEAD SCREW.

DIMENSIONS IN BRACKETS ARE METRIC [mm]	
CAD FILENAME/LAYERS G00239LU_DC_SGABM25S6_00	
PANDUIT CORP. TINLEY PARK, ILLINOIS	
SGABM25-S6- _ 4 WAY MOUNT	
UNLESS OTHERWISE SPECIFIED, DIMENSIONAL TOLERANCES ARE: (.X) ±0.05 (1.3) (.XXX) ±0.010 (0.25) (.XX) ±0.02 (0.5) ANGLES ± 5°	UNLESS OTHERWISE SPECIFIED, ALL DIMENSIONS ARE GIVEN IN INCHES, THIRD ANGLE PROJECTION.
DRAWN BY TMSA DATE 8/24/05 CHK'D	MAT'L: SEE TABLE SCALE 2X DRAWING NO. G00239LU DWG SIZE A

REV	DATE	BY	CHK	DESCRIPTION	ECN	R	CUST	SUP
R	8/24/05	TMSA		INITIAL RELEASE OF NEW PART NUMBER SGABM25-S6- _	G00239LU	R		