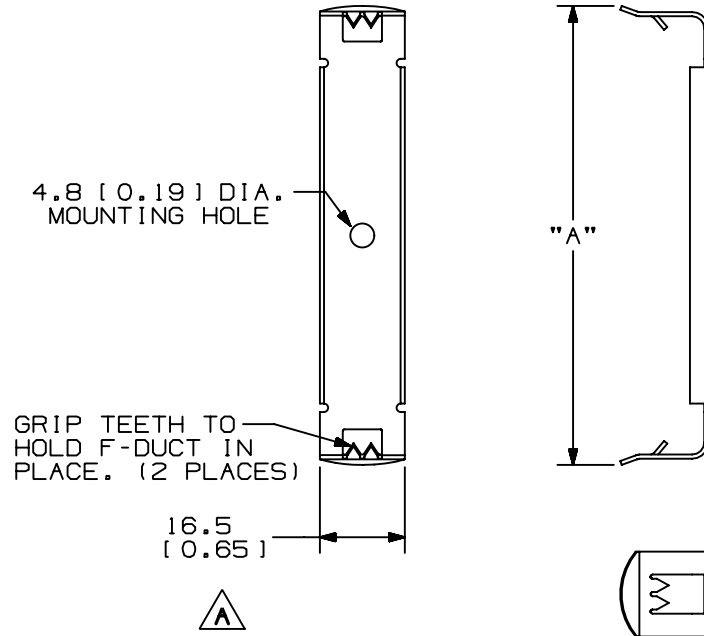


THIS COPY IS PROVIDED ON A RESTRICTED BASIS AND IS NOT TO BE USED IN ANY WAY DETRIMENTAL TO THE INTERESTS OF PANDUIT CORP.



PANDUIT PART NO. *	DUCT WIDTH APPLIED TO	"A"	WEIGHT PER 100 PIECES
SNS25F-C	25 [ .98 ]	31.2 [ 1.23 ]	488 g [ 1.1 lb ]
SNS37F-C	37.5 [ 1.48 ]	43.7 [ 1.72 ]	660 g [ 1.5 lb ]
SNS50F-C	50 [ 1.97 ]	56.2 [ 2.21 ]	835 g [ 1.8 lb ]
SNS62F-C	62.5 [ 2.46 ]	68.7 [ 2.70 ]	1009 g [ 2.2 lb ]
SNS75F-C	75 2.95	81.2 [ 3.20 ]	1183 g [ 2.6 lb ]



NOTES:

- \* 1. SEE CURRENT CATALOG FOR ADDITIONAL INFORMATION.
- 2. ALL DIMENSIONS ARE IN MILLIMETERS( INCHES ).



CAD FILENAME/LAYERS D34301\_MET\_F\_CLIPS\_01C.prt

**PANDUIT** CORP. TINLEY PARK, ILLINOIS

WIRING DUCT SNAP CLIP MOUNTING BRACKET (METRIC) - SNS25F, SNS37F, SNS50F, SNS62F, & SNS75F CUSTOMER DRAWING

REV	DATE	BY	CHK	DESCRIPTION	ECN	CHK	CUST	SUP
3	3/9/05	JCST	HIW	E. MODIFIED NOTE D. MODIFIED CHART	34301-08	HIW	HIW	
2	4/13/04	JCST	JKG	C. MODIFIED CHART B. MODIFIED TITLE	34301-08	HIW	HIW	
1	9/11/01	JCST	JKG	A. DUAL DIMENSIONED	34301-08	JKG	JKG	
R	5/7/93	DW	KRKE	RELEASED TO PRODUCTION	34301-08	CEF	CEF	

UNLESS OTHERWISE SPECIFIED, DIMENSIONAL TOLERANCES ARE: (.X) ± .80 [ .03 ] (.XXX) ± (.XX) ± .50 [ .02 ] ANGLES ±		UNLESS OTHERWISE SPECIFIED, ALL DIMENSIONS ARE GIVEN IN INCHES, THIRD ANGLE PROJECTION.	
DRAWN BY DW	MAT'L: 21 GA C.R.S.	SCALE NONE	
DATE 5/7/93		DRAWING NO. 34301-08	DWG SIZE A
CHK'D KRKE			