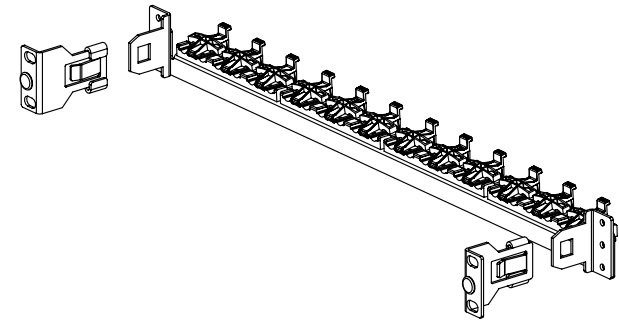
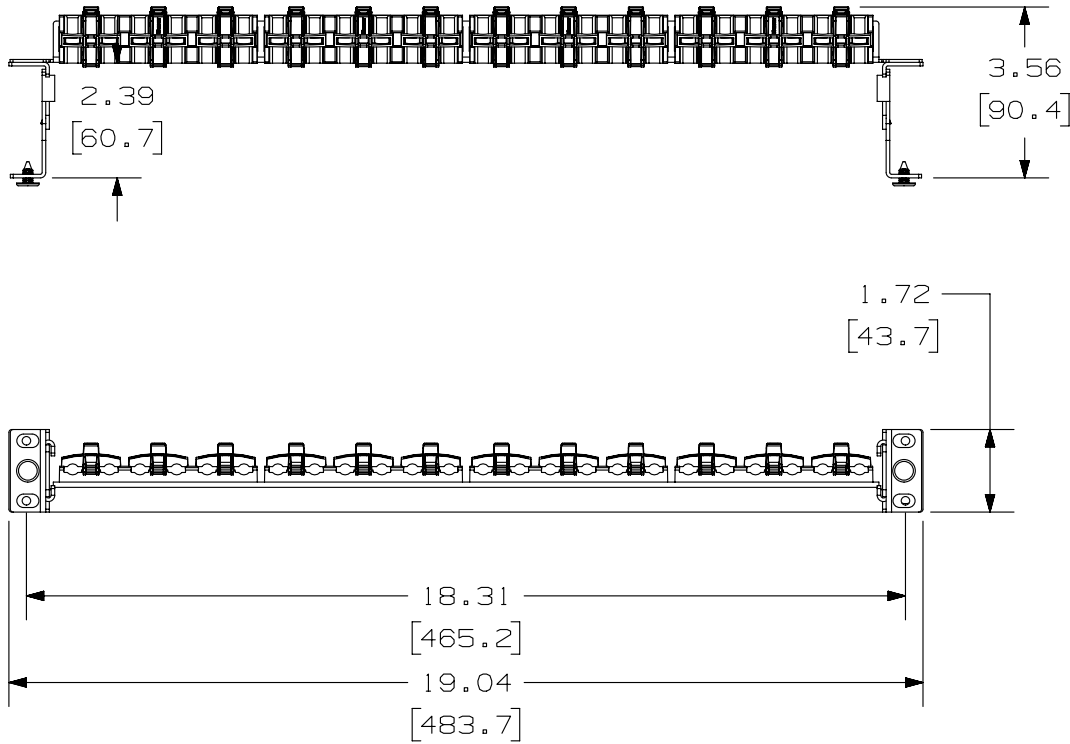


THIS COPY IS PROVIDED ON A RESTRICTED BASIS AND IS NOT TO BE USED IN ANY WAY DETRIMENTAL TO THE INTERESTS OF PANDUIT CORP.

PANDUIT P/N	WEIGHT
SRBBRWC-KIT	.81 LB/EACH PC (367.4 g/EACH PC)

NOTES:

- SEE CURRENT CATALOG FOR ADDITIONAL PART NUMBER SUFFIXES TO INDICATE COLOR AND OR PACKAGE QUANTITY.
- SEE CATALOG FOR COMPLETE LIST OF PARTS APPLICABLE FOR USE WITH THIS PART.
- DIMENSIONS IN PARENTHESES ARE IN METRIC.
- PART INCLUDES:
 - 1- STRAIN RELIEF BAR
 - 4- MOLDED STRAIN RELIEF CLIP 6-PACK (ASSEMBLED TO THE STRAIN RELIEF BAR)
 - 1- #12-24 SCREW KIT
 - 1- M6 SCREW KIT
 - 2- RATCHET FASTENER
 - 2- LATCH BRACKET
 - 2- TAB BRACKET (ASSEMBLED TO THE STRAIN RELIEF BAR)



PART NUMBER		SRBBRWC-KIT	
TITLE			
STRAIN RELIEF BAR KIT WITH SRBWC AND QUICK RELEASE BRACKETS (SRBBRKT)			
CUSTOMER DRAWING			
ITEM REVISION NAME		M02644AC/00	
DATASET FILE NAME		M02644AC_DC/00B	
UNLESS OTHERWISE SPECIFIED, DIMENSIONAL TOLERANCES ARE: IN (mm)		MATERIAL:	
.x ± .xxx ± .010 (.3)		STRAIN RELIEF CLIP: POLYPROPYLENE	
.xx ± .03 (.8) ANGLES ±		STRAIN RELIEF BAR: C.R.S.	
THIRD ANGLE PROJECTION		QUICK RELEASE BRACKET: C.R.S.	
DRAWN BY		DRAWING NUMBER:	
JSP		02644-03	
DATE		SHT 1 OF 1	
9-19-06		A	
CHK		SCALE	
MJD		9-29-06	

1	4-28-14	BJN	JSP	MMR	REVISED & REDRAWN PREVIOUS REVISIONS REMVD FOR CLARITY	02644-03
REV	DATE	BY	CHK	APR	DESCRIPTION	ECN

D10100DA/14