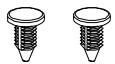


Latch bracket

Tab bracket

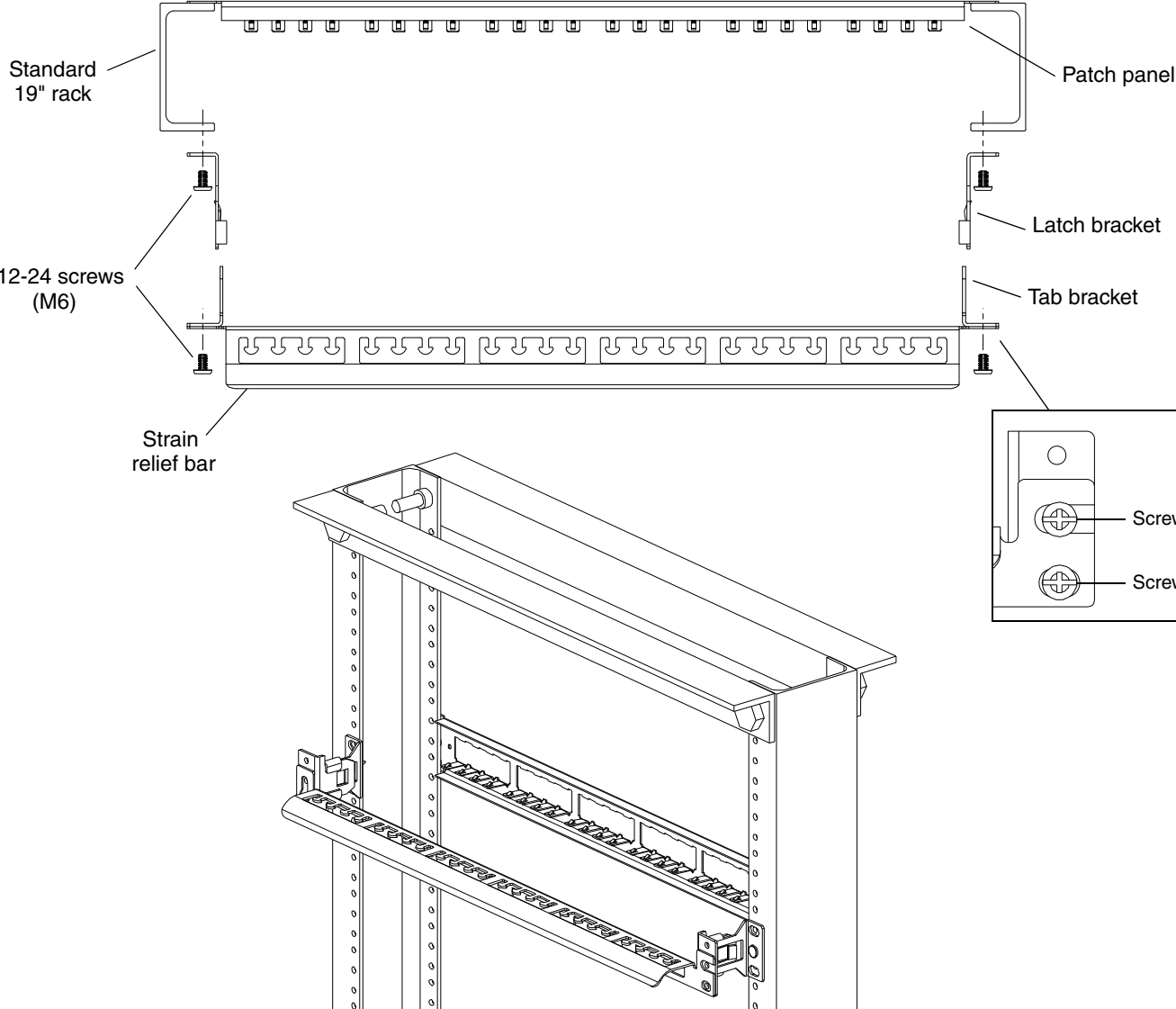
SRBBRKT

Ratchet Fasteners



Ratchet fasteners hold latch brackets in place on the 4 post rack until screws can be installed.

Note: Works with Panduit strain relief bar options (SRB**) and mounts to standard 19" racks.



Standard 19" rack

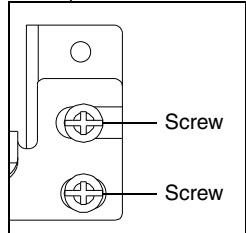
Patch panel

Latch bracket

Tab bracket

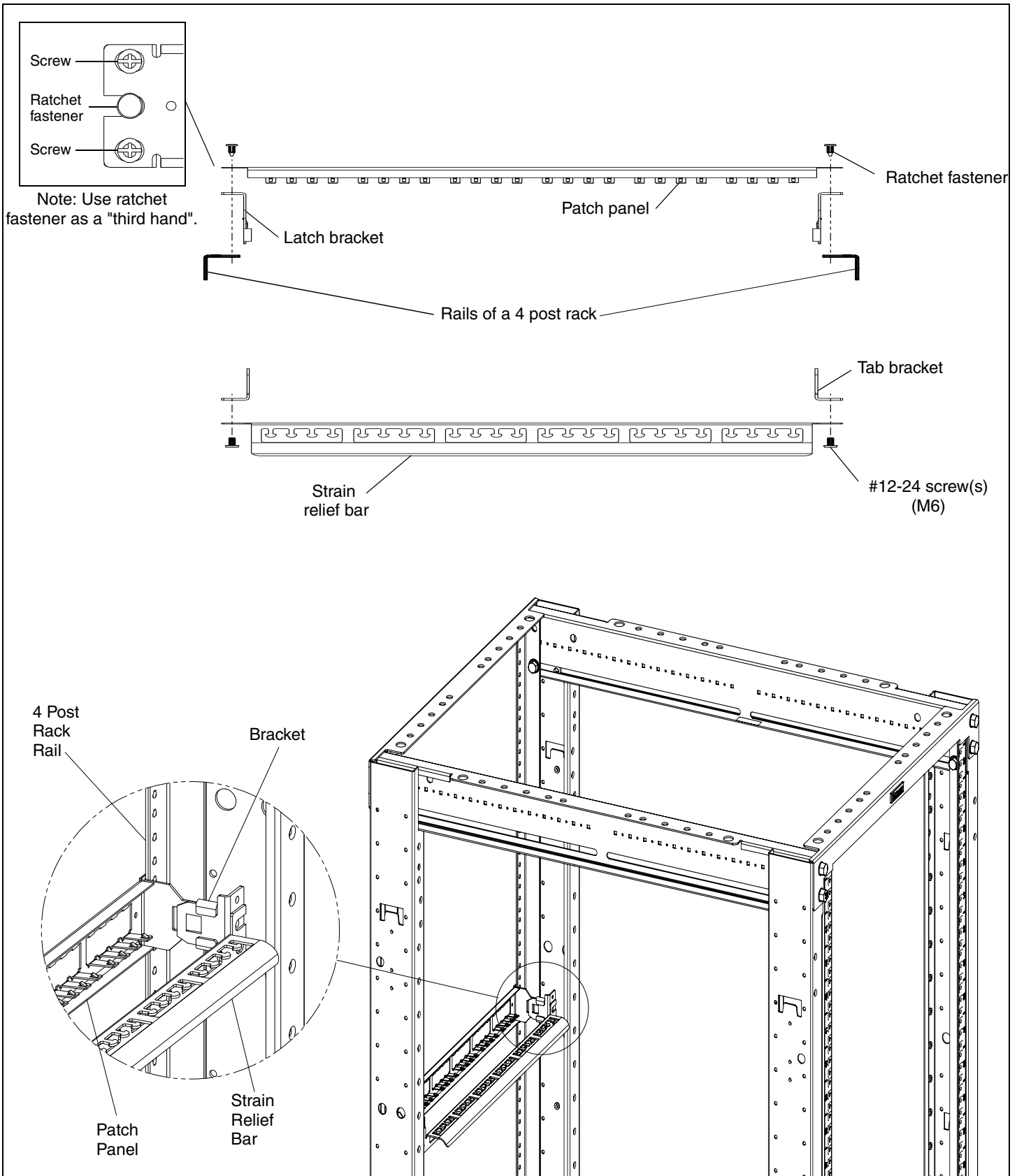
#12-24 screws (M6)

Strain relief bar



Screw

Screw



Note: Quick Release Brackets work with all 19" Panduit modular and Data-Patch patch panels (except CP**WSBL and CPPL**WRBL).

For Instructions in Local Languages
and Technical Support:
www.panduit.com/resources/install_maintain.asp

PANDUIT
www.panduit.com

E-mail:
techsupport@panduit.com
Phone:
866-405-6654