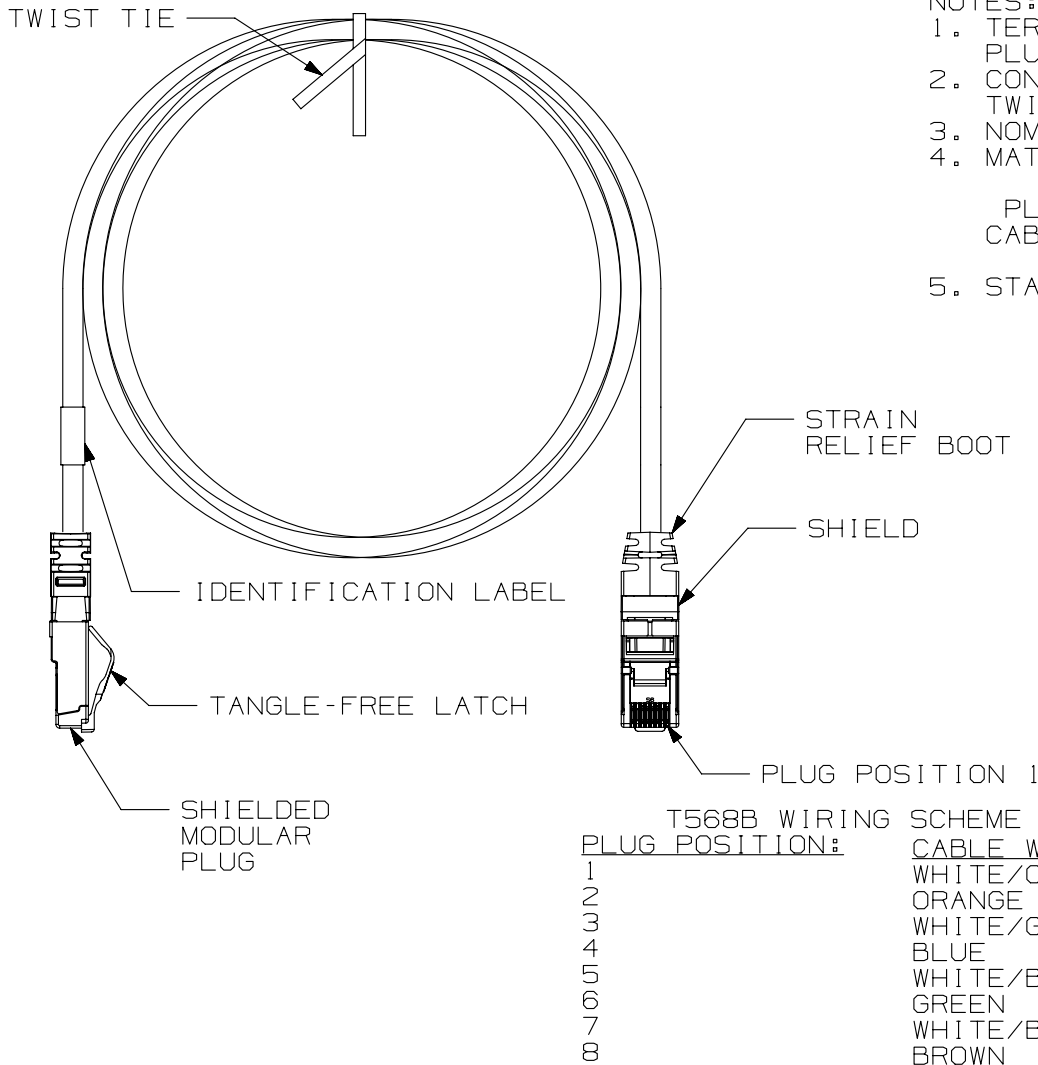


THIS COPY IS PROVIDED ON A RESTRICTED BASIS AND IS NOT TO BE USED IN ANY WAY DETRIMENTAL TO THE INTERESTS OF PANDUIT CORP.



NOTES:

1. TERMINATED WITH (8 POSITION) SHIELDED MODULAR PLUGS AT BOTH ENDS PER T568B.
2. CONSTRUCTED WITH 26AWG STRANDED CAT6A TWISTED PAIR LSZH/CM F/UTP PATCH CABLE.
3. NOMINAL CABLE JACKET DIAMETER IS 0.252 IN (6.3MM).
4. MATERIALS:  
 PLUG: POLYCARBONATE  
 PLUG SHIELD: PLATED CARTRIDGE BRASS  
 CABLE SHIELD: ALUMINUM  
 BOOT: TPE
5. STANDARD LENGTHS: 0.2M  
 0.5M-9.5M (IN 0.5M INCREMENTS)  
 10M-20M (IN 1M INCREMENTS)  
 25M-50M (IN 5M INCREMENTS)

CABLE COLORS	** = COLOR
INTERNATIONAL GRAY	IG
BLACK	BL
BLUE	BU
RED	RD
YELLOW	YL
GREEN	GR
WHITE	--
GRAY	GY

PART NUMBER		STP6Cxx**	
TITLE			
TX6A 10GIG F/UTP SHIELDED PATCH CORDS (CM/LSZH)			
CUSTOMER DRAWING			
ITEM REVISION NAME		14M504BC/00	
DATASET FILE NAME		14M504BC_DC02/00A	
UNLESS OTHERWISE SPECIFIED, DIMENSIONAL TOLERANCES ARE: IN [mm]		MATERIAL:	
.x ±		.xxx ± .010 [.3]	
.xx ± .03 [.8]		ANGLES ±	
DRAWN BY		THIRD ANGLE PROJECTION	
BJN		14M504BC-02	
DATE		SHT 1 OF 1	
10-21-14		A	
CHK		SCALE	
SCAL		NONE	
APR		SIZE	
RELEASED TO PRODUCTION		A	
14M504BC-02			

REV	DATE	BY	CHK	APR	DESCRIPTION	ECN
R	10-21-14	BJN	SCAL	LPH	RELEASED TO PRODUCTION	14M504BC-02

D101000DA/14

2

1

2

1