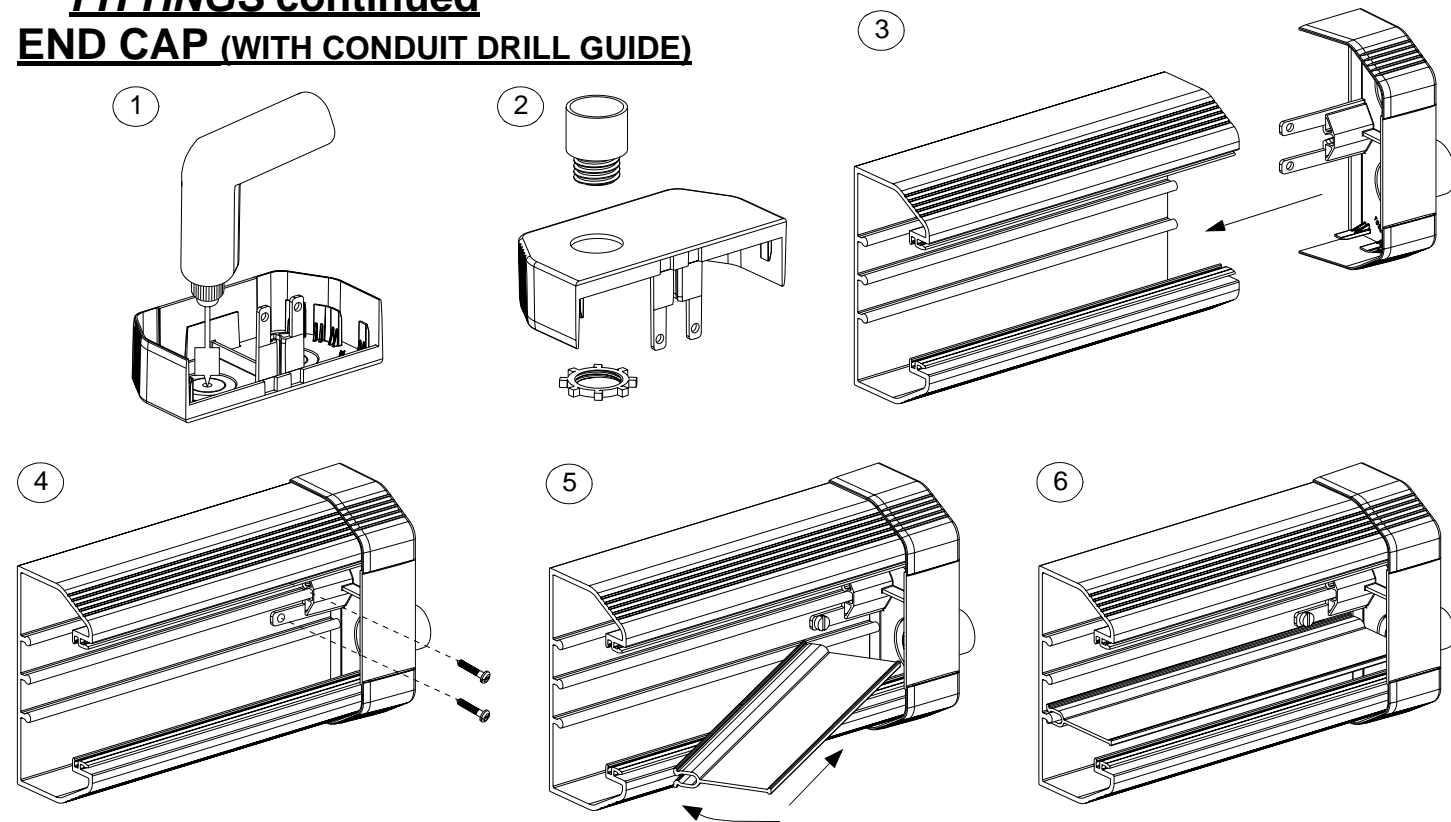


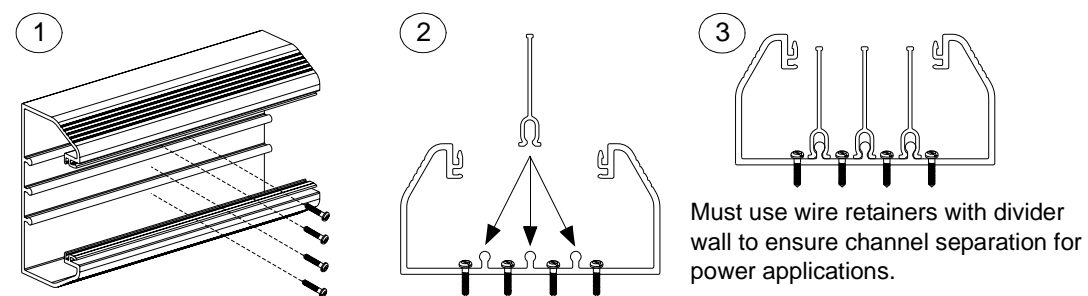
# TG RACEWAY SYSTEM INSTALLATION INSTRUCTIONS

## FITTINGS continued

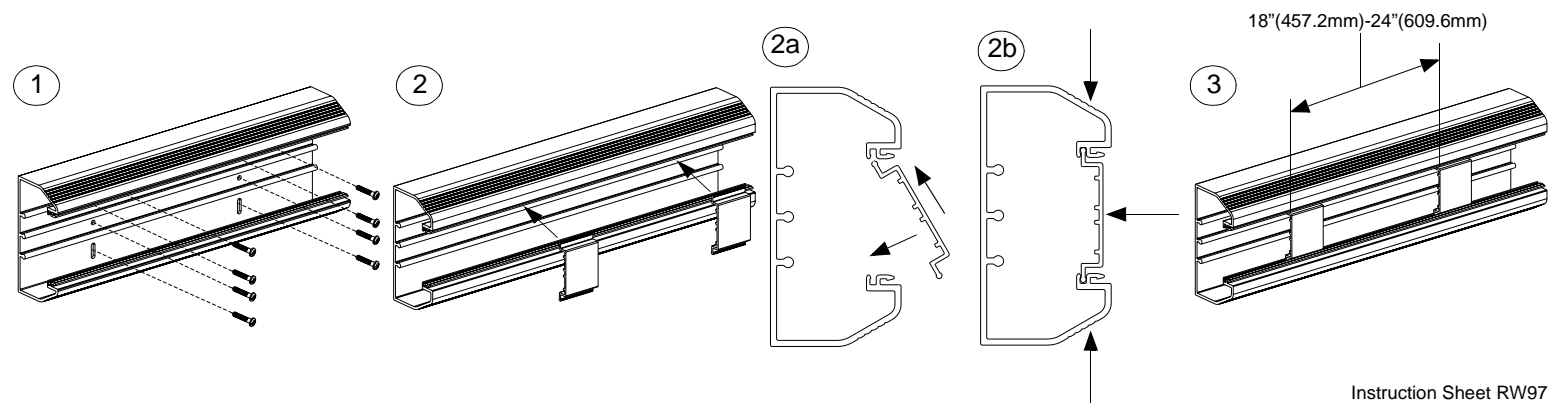
### END CAP (WITH CONDUIT DRILL GUIDE)



### ACCESSORIES DIVIDER WALL



### WIRE RETAINER



Instruction Sheet RW97

#### WORLDWIDE SUBSIDIARIES AND SALES OFFICES

17301 Ridgeland Avenue  
Tinley Park, IL 60477-3091  
Web Site: [www.panduit.com](http://www.panduit.com)



Technical Support: 866-405-6656  
Fax: 866-449-1702  
Email: [netconnsupport@panduit.com](mailto:netconnsupport@panduit.com)



## TG RACEWAY SYSTEM

Part Numbers: TG70B, T70C, TG70BC, T70CC, TG70WR  
TG80B, TEC80, TG80BC, TECFC80, TG80WR  
TG86B, TG86C, TG86BC, TCFC105, TG86WR  
TGRA, TREC, TGDW

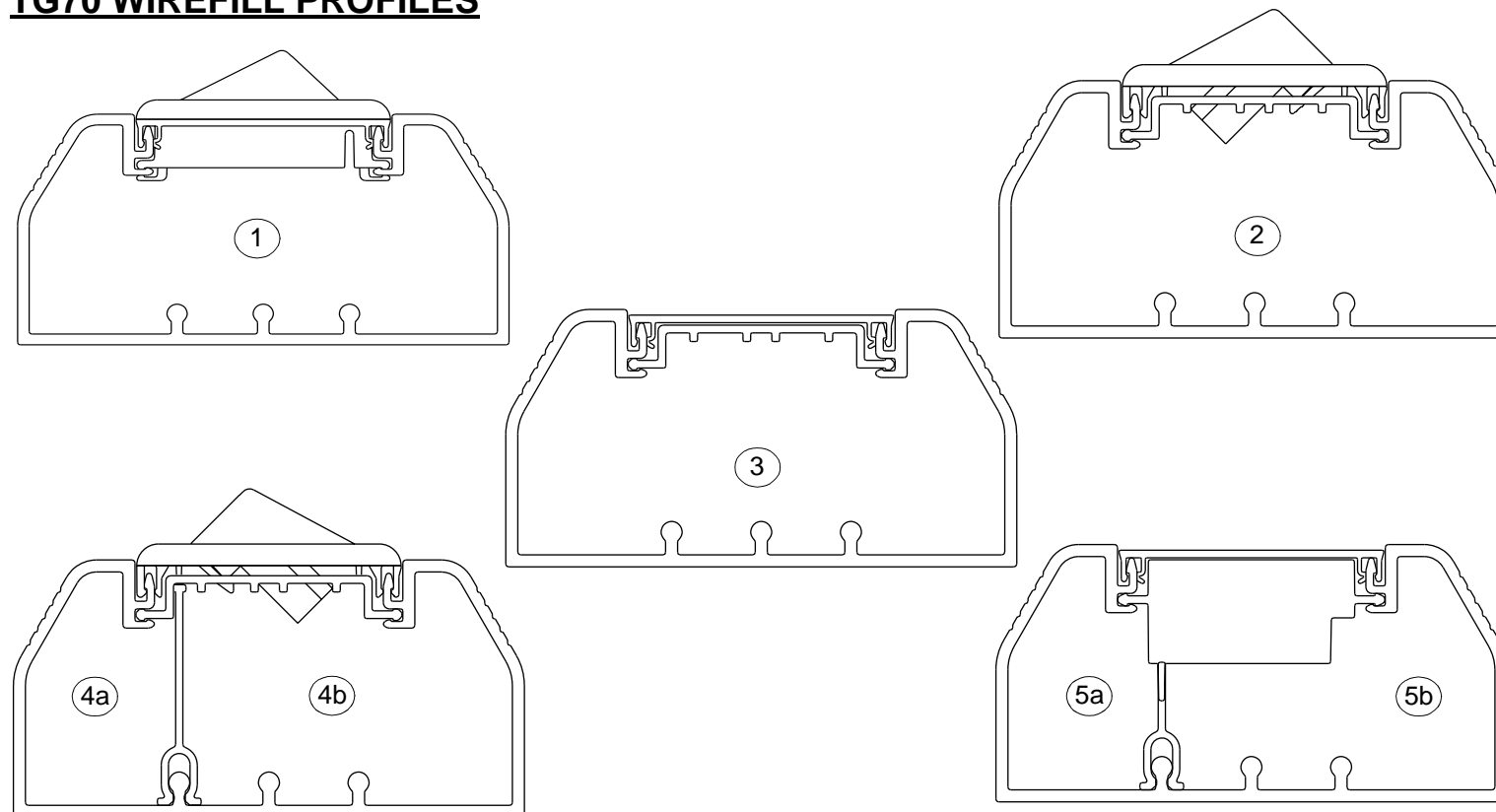
## FOR USE WITH PANDUIT SURFACE RACEWAY ROUTING SYSTEM

### INSTALLATION INSTRUCTIONS

©Panduit Corp. 2000

### TG70 WIREFILL PROFILES

Printed in U.S.A.



### TG70 WIREFILL CHART

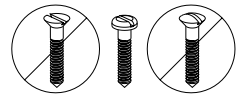
| Raceway Channel Wirefill Configurations                                  | See Fill # | *Electrical Cables AWG |       |       |
|--|------------|------------------------|-------|-------|
|  |            | 14                     | 12    | 10    |
|  |            | THHN/T90               |       |       |
|  |            | 0.105                  | 0.122 | 0.153 |
|  |            | MAX                    | MAX   | MAX   |
| Wirefill #1: Data only using "Screw-On" Faceplates                       | 1          | **                     | **    | **    |
| Wirefill #2: Data only using "Snap-On" Bezels                            | 2          | **                     | **    | **    |
| Wirefill #3: TG-70 Raceway with no Devices                               | 3          | 40                     | 40    | 38    |
| Wirefill #4: Power and Data using "Snap-On" Bezels and 3-Sided Power Box | 4A         | 28                     | 28    | 26    |
|  | 4B         | **                     | **    | **    |
| Wirefill #5: Power and Data using "Snap-On" Bezels and 3-Sided Power Box | 5A         | 28                     | 28    | 26    |
|  | 5B         | **                     | **    | **    |

\* WIRES NOT BUNDLED

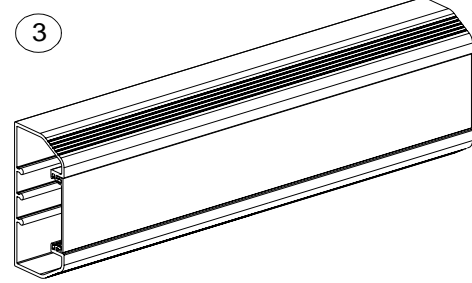
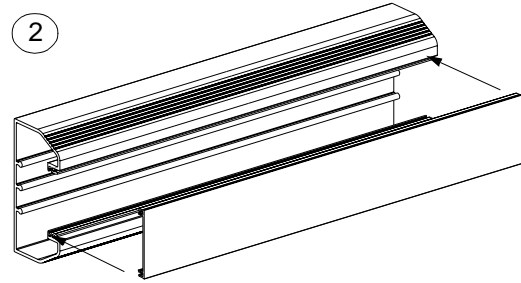
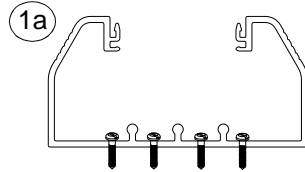
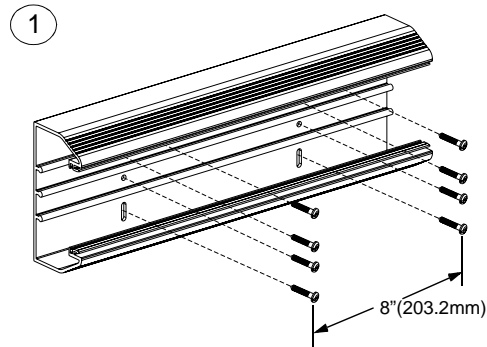
For Technical Assistance call: 866-405-6656

# TG RACEWAY SYSTEM INSTALLATION INSTRUCTIONS

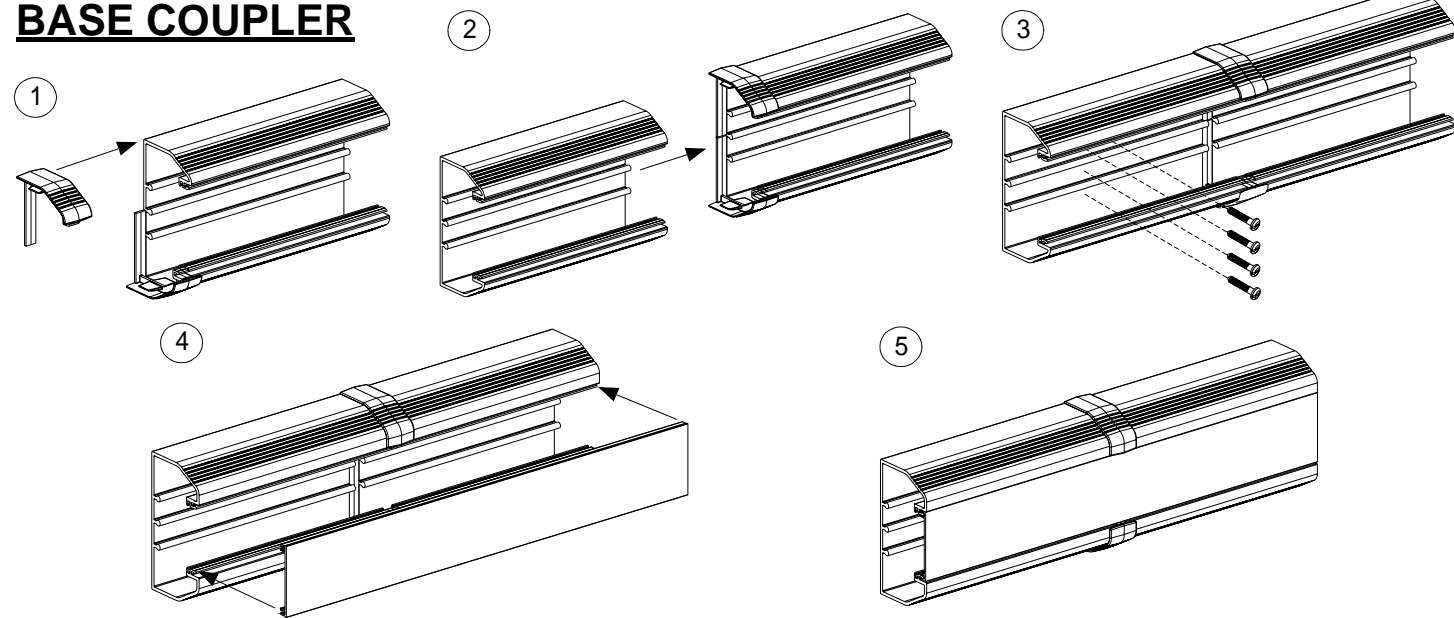
## BASE & COVER



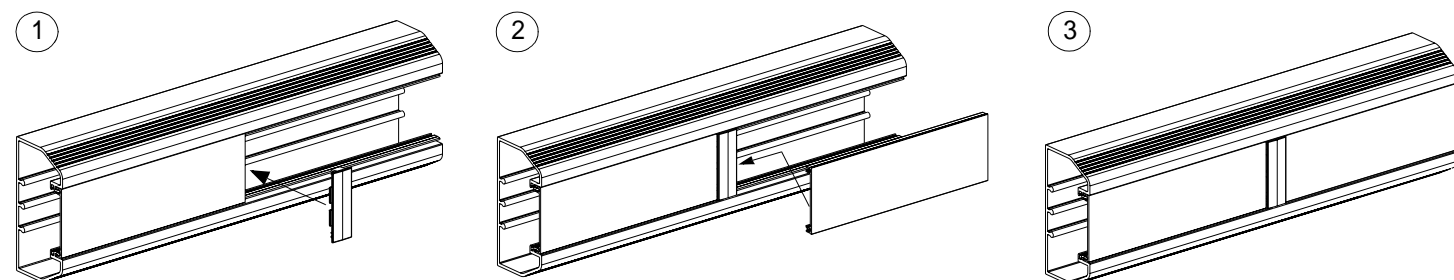
The mounting hardware used to secure the raceway shall be appropriate for the mounting



## FITTINGS BASE COUPLER

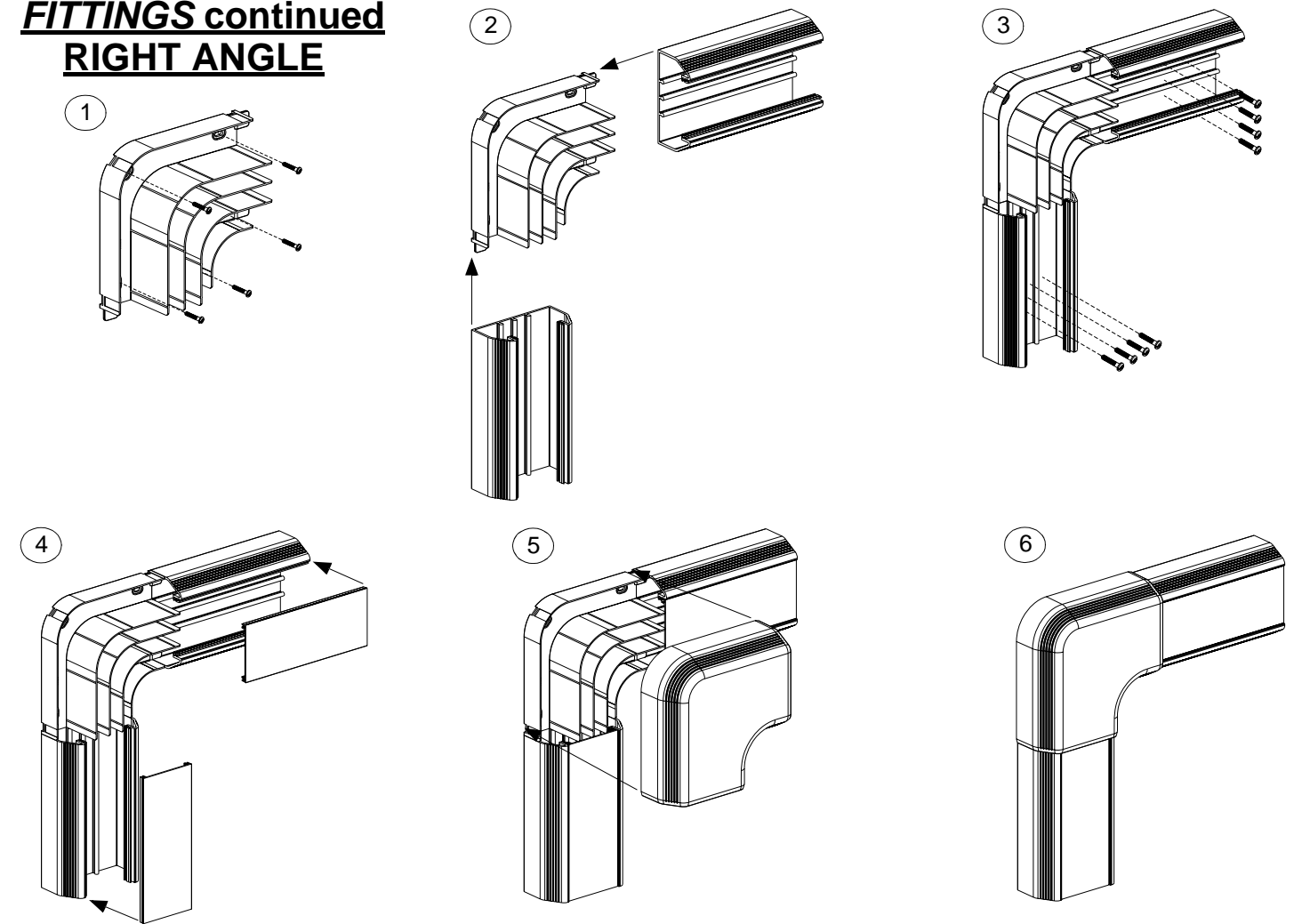


## COVER COUPLER



# TG RACEWAY SYSTEM INSTALLATION INSTRUCTIONS

## FITTINGS continued RIGHT ANGLE



## END CAP

