

**PAN-WAY™ FACEPLATES FOR USE  
WITH LUCENT TECHNOLOGY COM-  
MUNICATION MODULES**

FOR USE WITH **PANDUIT®**  
**T-70, TWIN-70, TE-70**  
**AND TG-70**  
**SURFACE RACEWAY**  
**ROUTING SYSTEMS, AND**  
**PAN-POLE™ OUTLET POLES**

Part Numbers: T70L2, T70L4, T70LV2, T70LV4

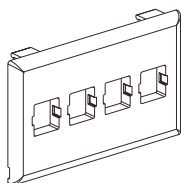
---

**INSTALLATION INSTRUCTIONS**

---

©Panduit Corp. 1998

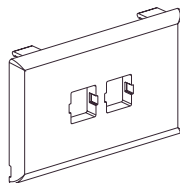
Printed in U.S.A.



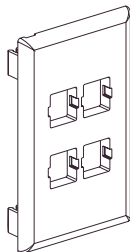
T70L4



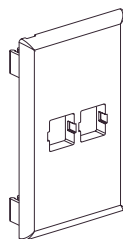
LUCENT®\*  
COMMUNICATION  
MODULE



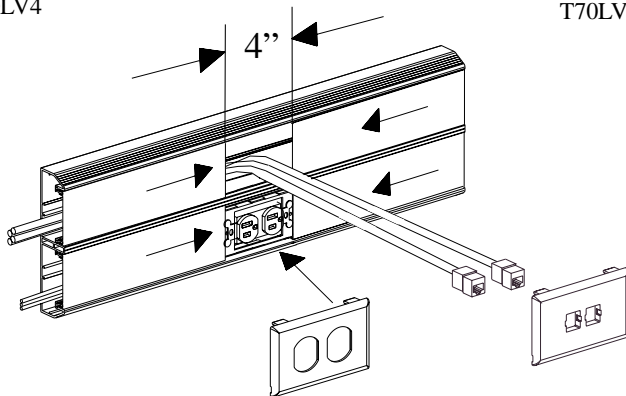
T70L2



T70LV4



T70LV2



---

\* NOTE: "LUCENT" IS A REGISTERED TRADEMARK OF LUCENT TECHNOLOGIES

---

**For Technical Assistance call: 866-405-6656**



RACEWAY SYSTEMS DIVISION

17301 Ridgeland Avenue  
Tinley Park, IL 60477-3091  
Phone: 866-405-6656  
FAX: 866-449-1702

WORLDWIDE SUBSIDIARIES AND SALES OFFICES

Instruction Sheet RW47E