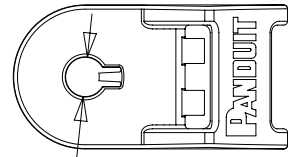
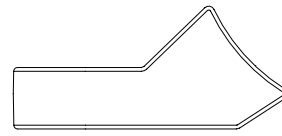
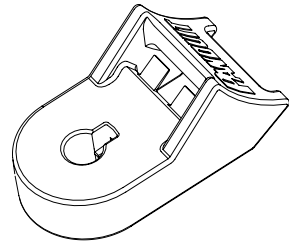


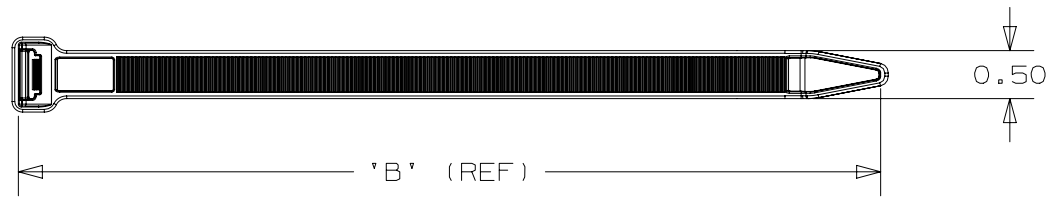
HEAVY DUTY CABLE TIE MOUNT



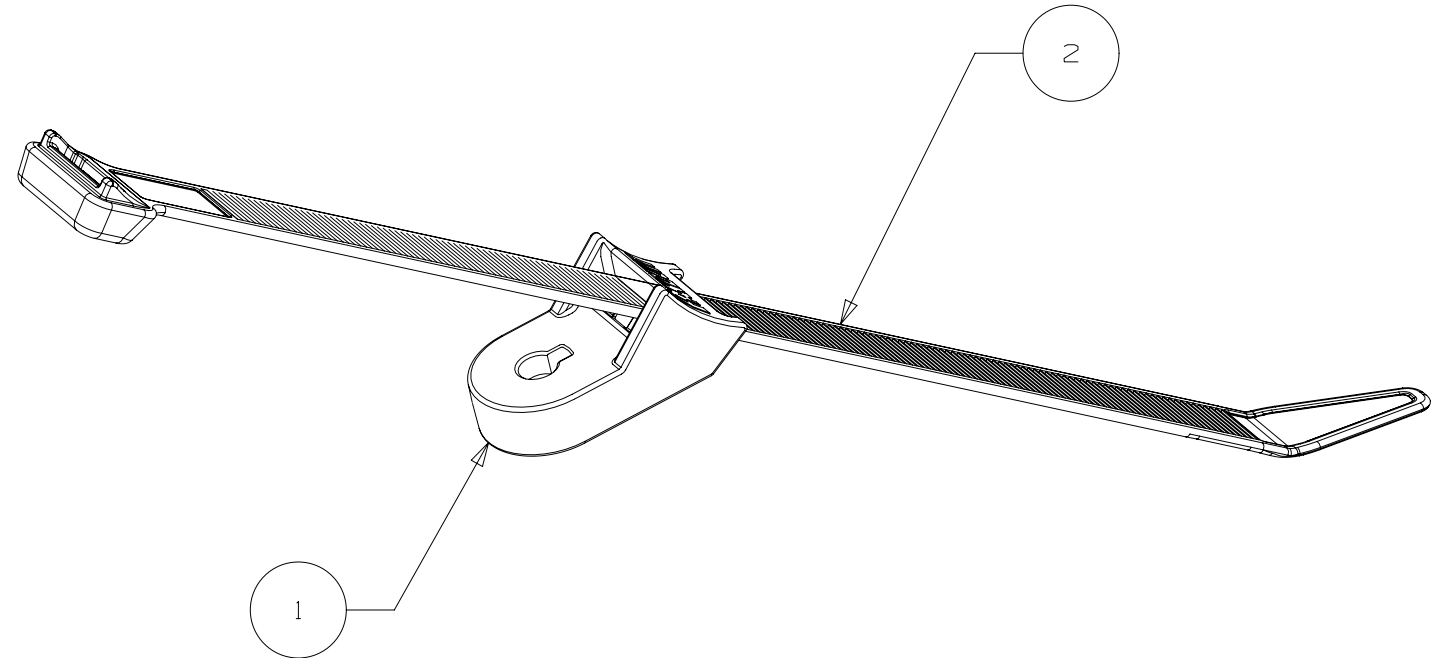
'A' (REF) Ø



WIDE STRAP CABLE TIE



ASSEMBLY PART NUMBER	ITEM	RAW PART NUMBERS	MTG. SCREW	WEIGHT lbs (g) /100 pcs	BUNDLE DIA. MIN.	BUNDLE DIA. MAX.	'A'	'B'
TMEH2S5-3E-350	1	TMEH2ST5-350	#10 (M5)	2.18 (991)	0.38 (9.5)	3.25 (82.6)	0.20 (5.1)	-
	2	PLWS3EH-TL350					-	12.1 (307)
TMEH2S6-3E-350	1	TMEH2ST6-350	1/4" (M6)	2.16 (982)	0.38 (9.5)	3.25 (82.6)	0.26 (6.6)	-
	2	PLWS3EH-TL350					-	12.1 (307)
TMEH2S8-3E-350	1	TMEH2ST8-350	5/16" (M8)	2.13 (966)	0.38 (9.5)	3.25 (82.6)	0.32 (8.2)	-
	2	PLWS3EH-TL350					-	12.1 (307)



REV	DATE	BY	CHK	APR	DESCRIPTION	ECN
00	4/1/2017	CWG	FCHE	MSAD	RELEASE FOR PRODUCTION	

TITLE HEAVY DUTY MOUNT / WIDE STRAP CABLE TIE ASSEMBLY		CUSTOMER DRAWING	
ITEM REVISION NAME 00076SCJ/00		PANDUIT	
DATASET FILE NAME 00076SCJ/00_DC			
UNLESS OTHERWISE SPECIFIED, DIMENSIONAL TOLERANCES ARE: IN [mm]		MATERIAL: NYLON 66, IMPACT MODIFIED, UV RESISTANT, HEAT STABILIZED	
.X ± .1 [2.54]	.XXX ± .005 [.127]	DRAWING NUMBER: 00076SCJ_DC	
.XX ± .01 [.25]	ANGLES ± 5 °	THIRD ANGLE PROJECTION	
DRAWN BY CWG	DATE 04/01/2017	CHK FCHE	SCALE 1:1
SHT 1 OF 1		SIZE B	

D10100DB/17