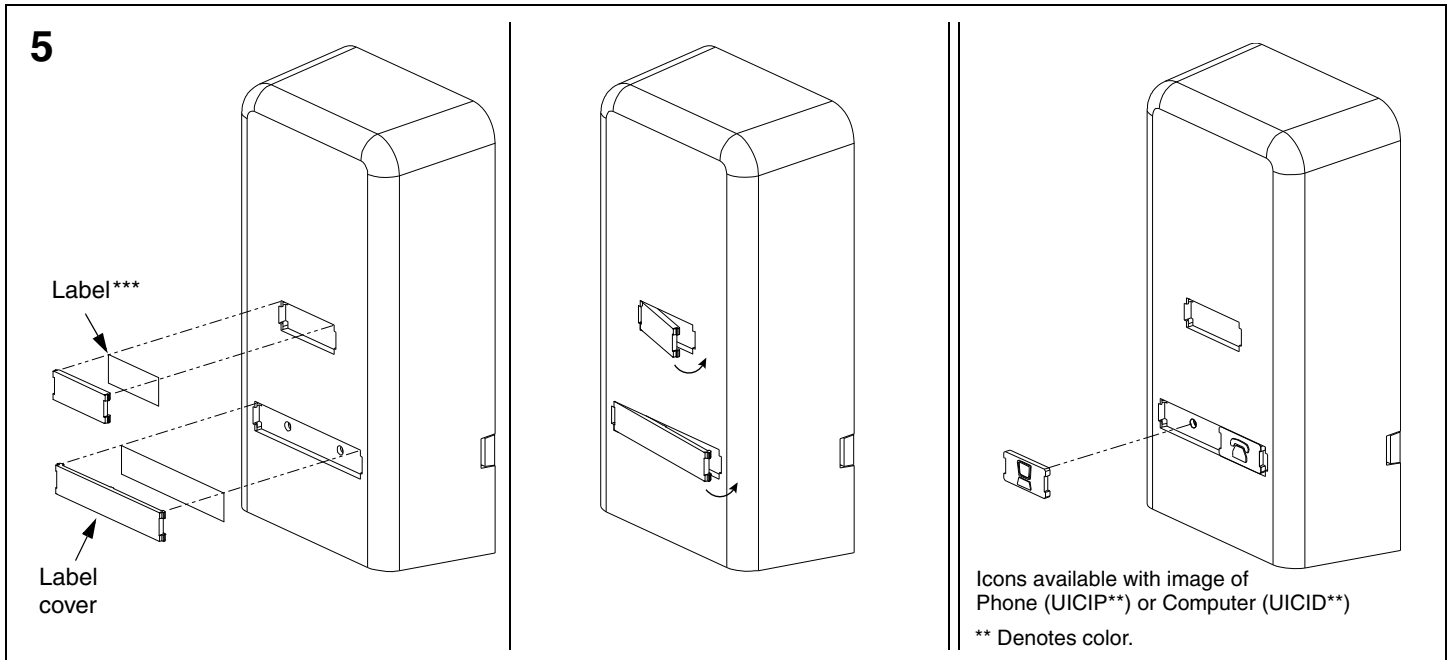


\*\* Denotes color.



**Ultimate ID Label Part Numbers**

Label Part #	Height	Length	Color	Std. Pkg. Qty.
Computer Printable Labels				
UILJ1	0.236"	0.680"	White	5 sheets
UILJ2	0.236"	1.315"	White	5 sheets
Non-Adhesive Label Cassette (for use with PanAcea LS7 Thermal Transfer Printer)				
*UILS8BW	1/4"	26.2'	Black / White	1

\* See Panduit LS8E operations manual to explain serialized function for label printing and page function for non-serialized label printing.

\*\*\* Write on labels are not included per TIA/EIA-606-B standard which states: "To maximize legibility, all labels shall be printed or generated by a mechanical device, and shall not be written by hand."

<p><b>For Instructions in Local Languages and Technical Support:</b>  <a href="http://www.panduit.com/resources/install_maintain.asp">www.panduit.com/resources/install_maintain.asp</a></p>	 <a href="http://www.panduit.com">www.panduit.com</a>	<p><b>E-mail:</b>  <a href="mailto:techsupport@panduit.com">techsupport@panduit.com</a>  <b>Phone:</b>                  866-405-6654</p>
--	---	--