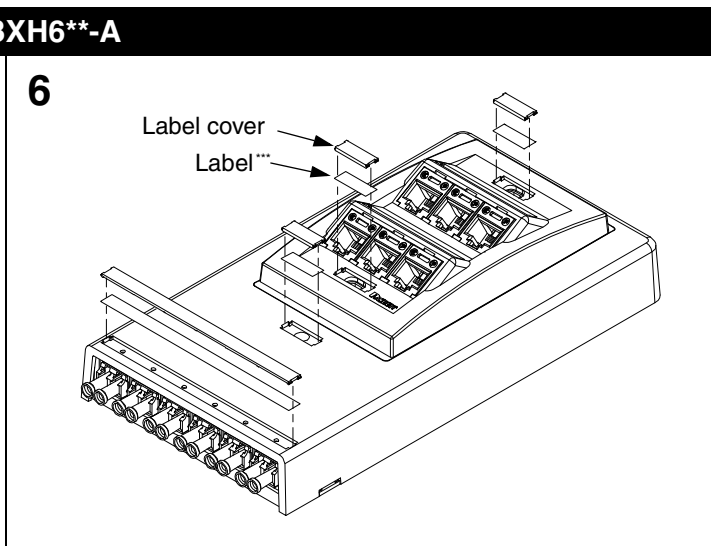
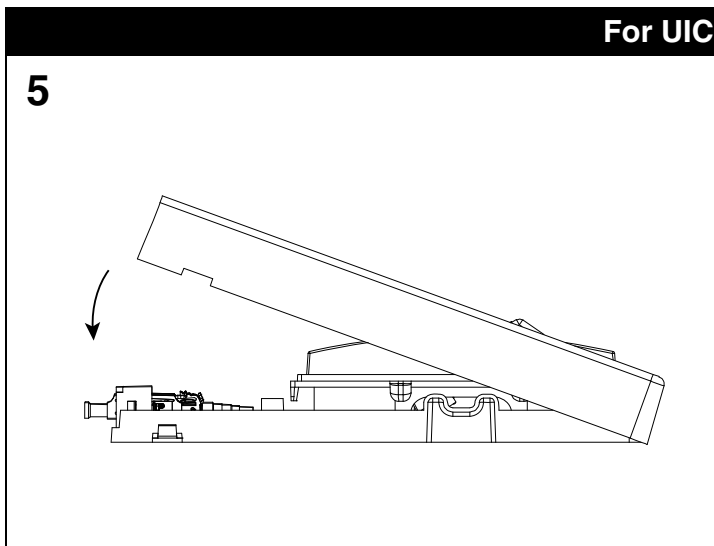
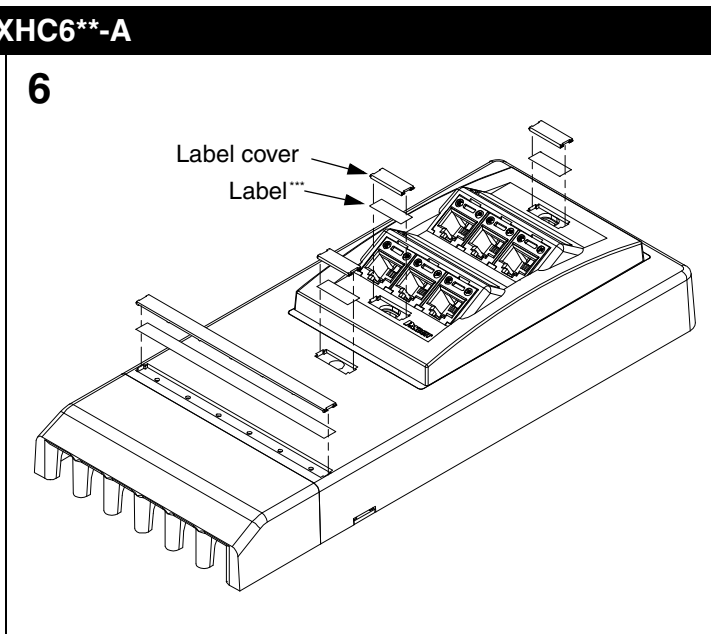
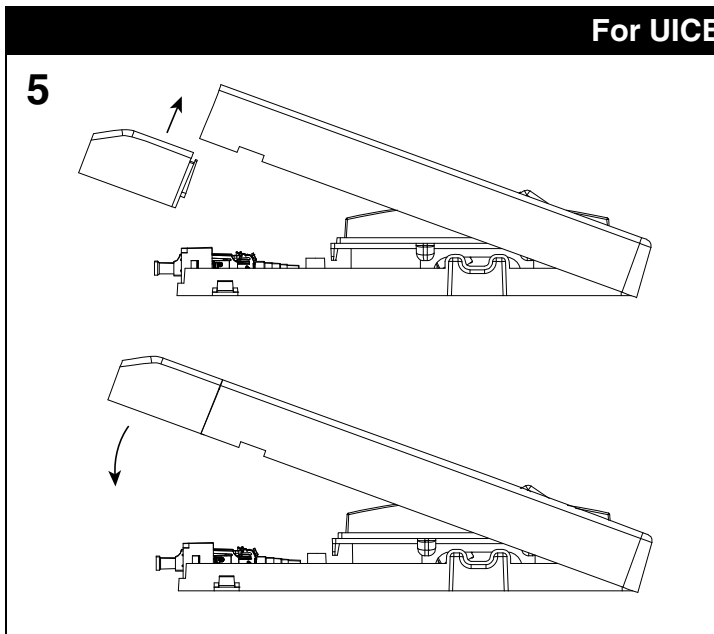


\*\* Denotes color.

**For UICBXH6\*\*-A**



**For UICBXHC6\*\*-A**



**Ultimate ID Label Part Numbers**

| Label Part #                                                                    | Height | Length | Color          | Std. Pkg. Qty. |
|---------------------------------------------------------------------------------|--------|--------|----------------|----------------|
| Computer Printable Labels                                                       |        |        |                |                |
| UILJ1                                                                           | 0.236" | 0.680" | White          | 5 sheets       |
| UILJ6                                                                           | 0.236" | 3.855" | White          | 5 sheets       |
| UILJ1EI                                                                         | 0.236" | 0.680" | Electric Ivory | 5 sheets       |
| UILJ6EI                                                                         | 0.236" | 3.855" | Electric Ivory | 5 sheets       |
| Non-Adhesive Label Cassette (for use with PanAcea LS7 Thermal Transfer Printer) |        |        |                |                |
| *UILS7BW                                                                        | 1/4"   | 26.2'  | Black / White  | 1              |

\* See Panduit LS7 operations manual to explain serialized function for label printing and page function for non-serialized label printing.

\*\*\* Write on labels are not included per TIA/EIA-606-A standard which states: "To maximize legibility, all labels shall be printed or generated by a mechanical device, and shall not be written by hand." (Refer to table on back side for label products)

|                                                                                                                                                                                                        |                                                                                                                                                                       |                                                                                         |
|--------------------------------------------------------------------------------------------------------------------------------------------------------------------------------------------------------|-----------------------------------------------------------------------------------------------------------------------------------------------------------------------|-----------------------------------------------------------------------------------------|
| <p><b>For Instructions in Local Languages<br/>and Technical Support:</b></p> <p><a href="http://www.panduit.com/resources/install_maintain.asp">www.panduit.com/resources/install_maintain.asp</a></p> |  <p><b>PANDUIT</b></p> <p><a href="http://www.panduit.com">www.panduit.com</a></p> | <p><b>E-mail:</b><br/>techsupport@panduit.com</p> <p><b>Phone:</b><br/>866-405-6654</p> |
|--------------------------------------------------------------------------------------------------------------------------------------------------------------------------------------------------------|-----------------------------------------------------------------------------------------------------------------------------------------------------------------------|-----------------------------------------------------------------------------------------|