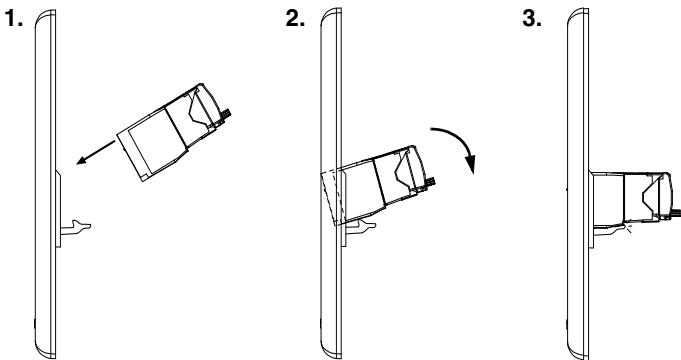




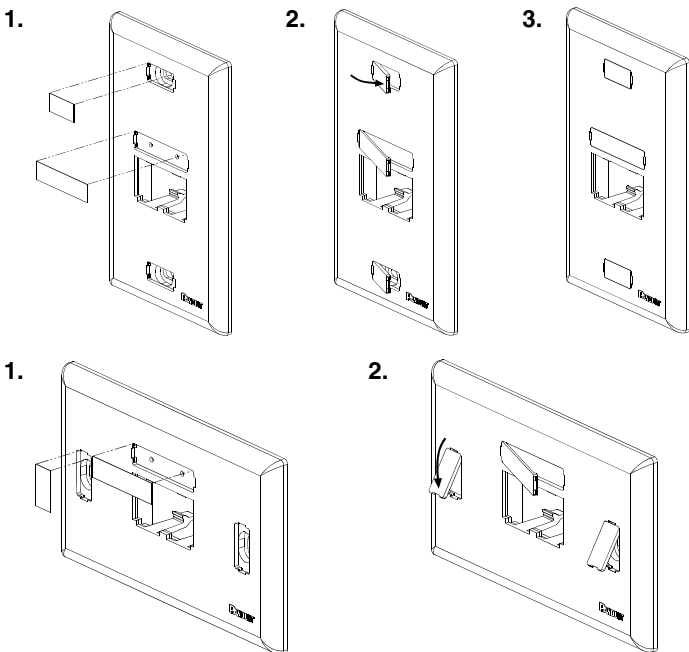
Note: Custom #4 type screw head requires a #1 phillips or 3/16" flat screwdriver be used to install Ultimate ID faceplate products.

UICFP** & UICFPH** INSTALLATION

Module Installation

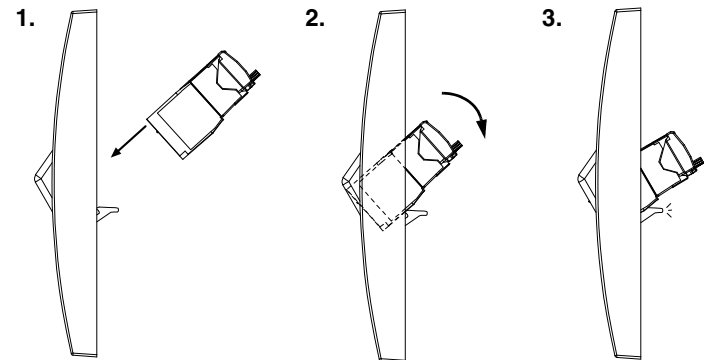


Label / Label Cover Installation

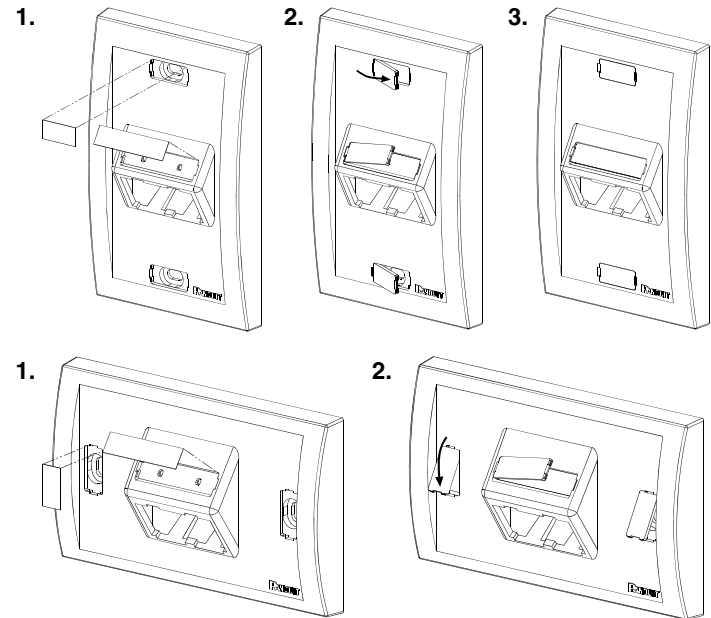


UICFPSE** & UICFPHSE** INSTALLATION

Module Installation



Label / Label Cover Installation



Icon Installation (Icons sold as optional accessory)



Icons available with image of Phone (UICIP**-C) or Computer (UICID**-C)

* Write on labels are not included with these faceplates per TIA/EIA-606-A standard which states: "To maximize legibility, all labels shall be printed or generated by a mechanical device, and shall not be written by hand." (Refer to table on back side for label products)

** Denotes color.

Ultimate ID Label Part Numbers

Label Part #	Height	Length	Color	Std. Pkg. Qty.
--------------	--------	--------	-------	----------------

Computer Printable Labels

UILJ1	.236"	.680"	White	5 sheets
UILJ2	.236"	1.315"	White	5 sheets
UILJ3	.236"	1.950"	White	5 sheets
UILJ4	.236"	2.585"	White	5 sheets
UILJCOMBO	Various	Various	White	5 sheets
UILJ1EI	.236"	.680"	Electric Ivory	5 sheets
UILJ2EI	.236"	1.315"	Electric Ivory	5 sheets
UILJ3EI	.236"	1.950"	Electric Ivory	5 sheets
UILJ4EI	.236"	2.585"	Electric Ivory	5 sheets
UILJCOMBOEI	Various	Various	Electric Ivory	5 sheets

Non-Adhesive Label Cassette

(for use with PanTher LS8E and Cougar LS9 Thermal Transfer Printers)

*UILS8BW	.236"	25'	Black / White	1
----------	-------	-----	---------------	---

* See Panduit LS8E and LS9 Operations Manual to explain serialized function for label printing and page function for non-serialized label printing.

For Instructions in Local Languages
and Technical Support:

www.panduit.com/resources/install_maintain.asp

PANDUIT

www.panduit.com

E-mail:
techsupport@panduit.com

Phone:
866-405-6654