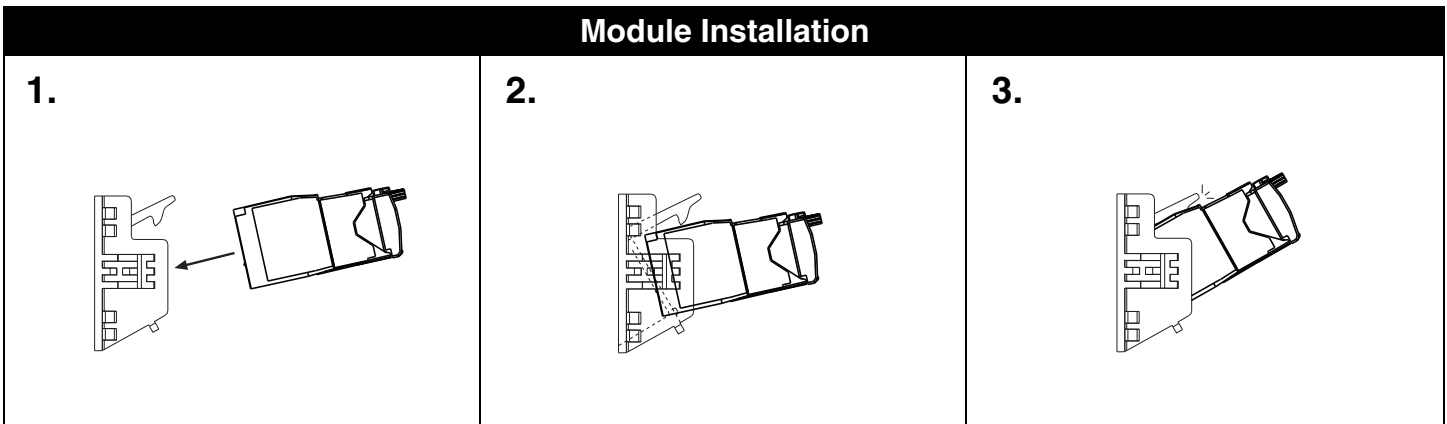
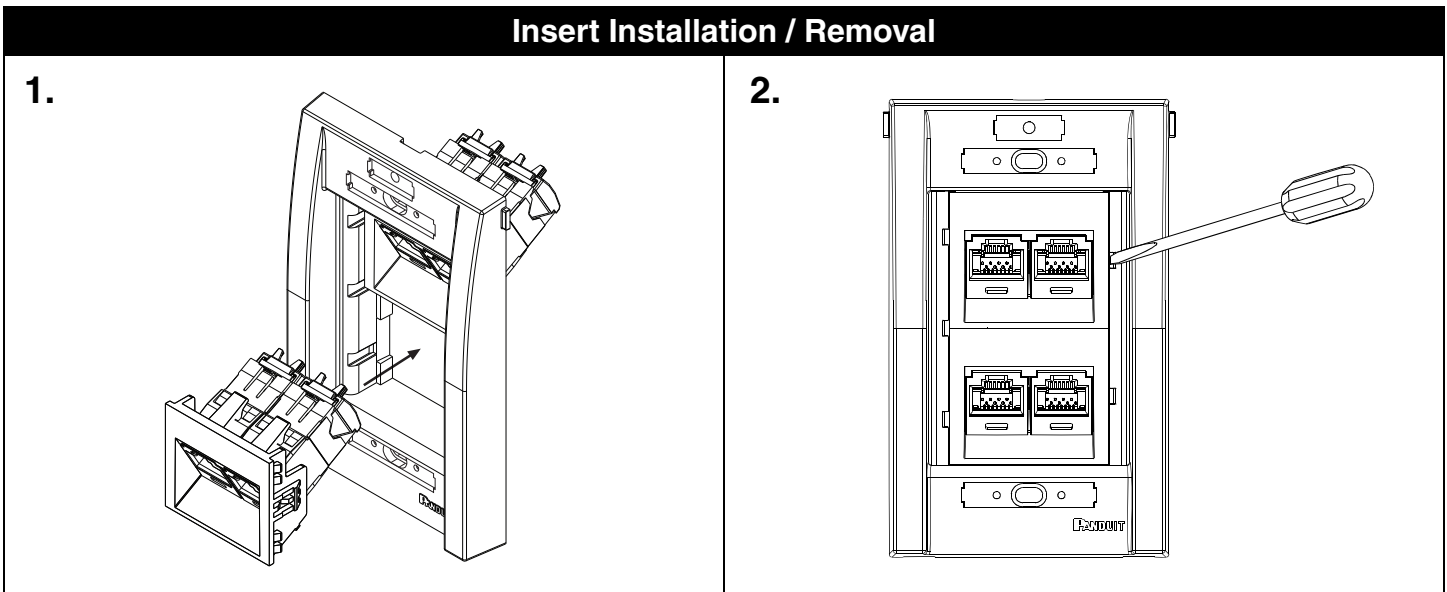


Module Installation

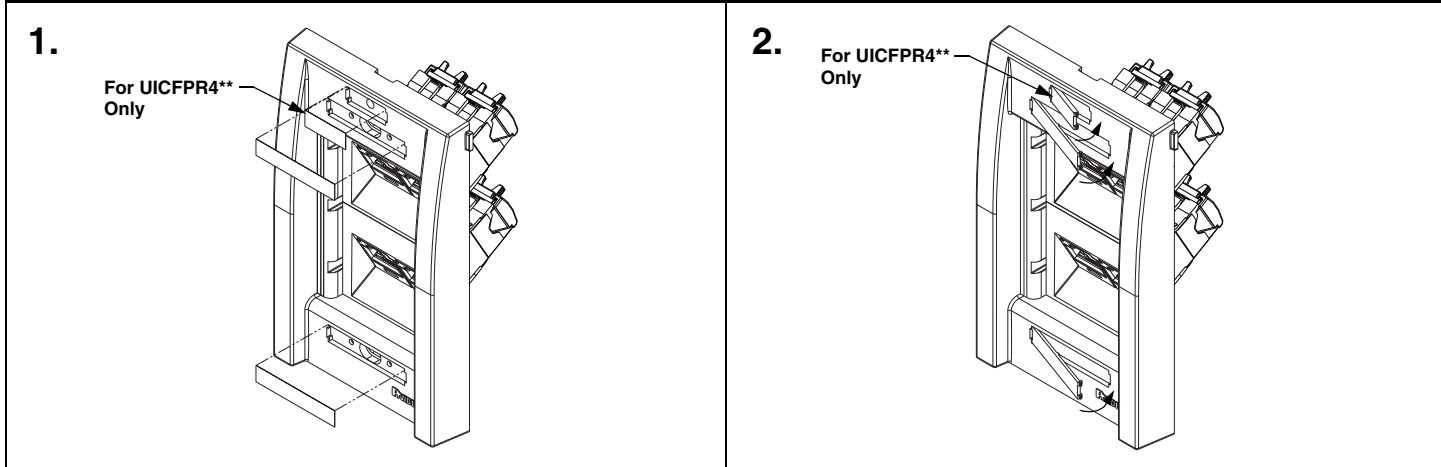


Insert Installation / Removal

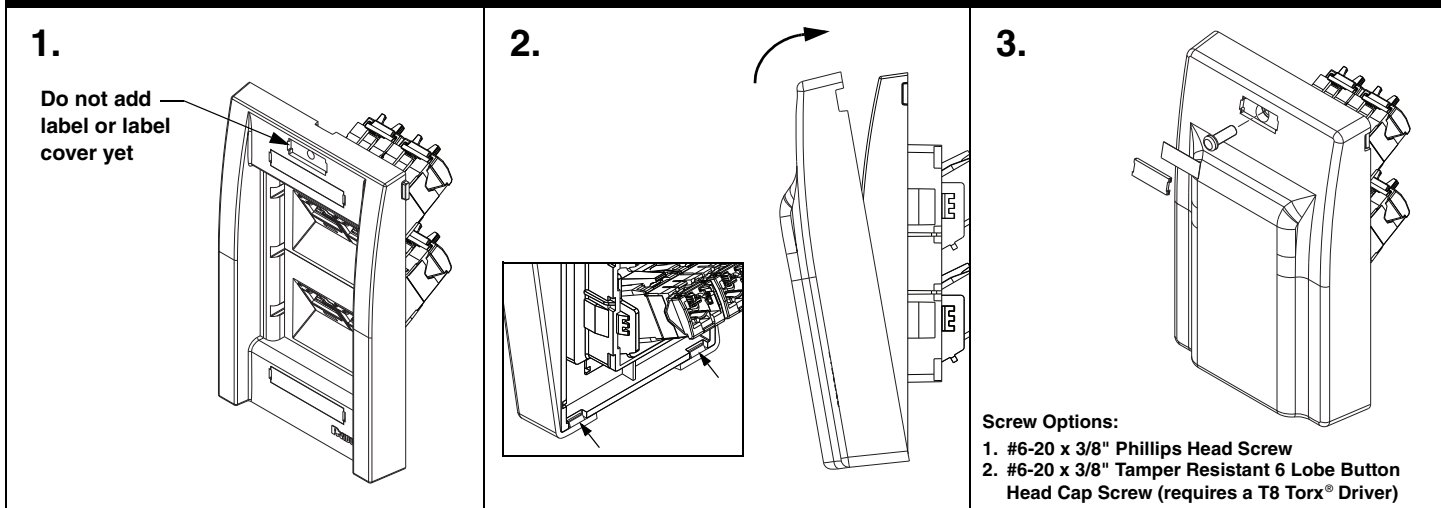


** Denotes color.

Label* / Label Cover Installation**



Tamper Resistant Cover Installation - (For Part# UICFPRTR4)**



Note: Icons available as an optional accessory with image of Phone (UICIP**) or Computer (UICID**).

Ultimate ID Label Part Numbers

Label Part #	Height	Length	Color	Std. Pkg. Qty.
Computer Printable Labels				
UILJ1	.236"	.680"	White	5 sheets
UILJ2	.236"	1.315"	White	5 sheets
Non-Adhesive Label Cassette (for use with PanTher LS8E and Cougar LS9 Thermal Transfer Printers)				
*UILS8BW	.236"	25'	Black / White	1

* See Panduit LS8E and LS9 Operations Manual to explain serialized function for label printing and page function for non-serialized label printing.

** Denotes color.

*** Write on labels are not included with this faceplate per TIA/EIA-606-A standard which states: "To maximize legibility, all labels shall be printed or generated by a mechanical device, and shall not be written by hand." (Refer to above table for label products)

<p>For Instructions in Local Languages and Technical Support: www.panduit.com/resources/install_maintain.asp</p>	 www.panduit.com	<p>E-mail: techsupport@panduit.com</p> <p>Phone: 866-405-6654</p>
---	---------------------	---