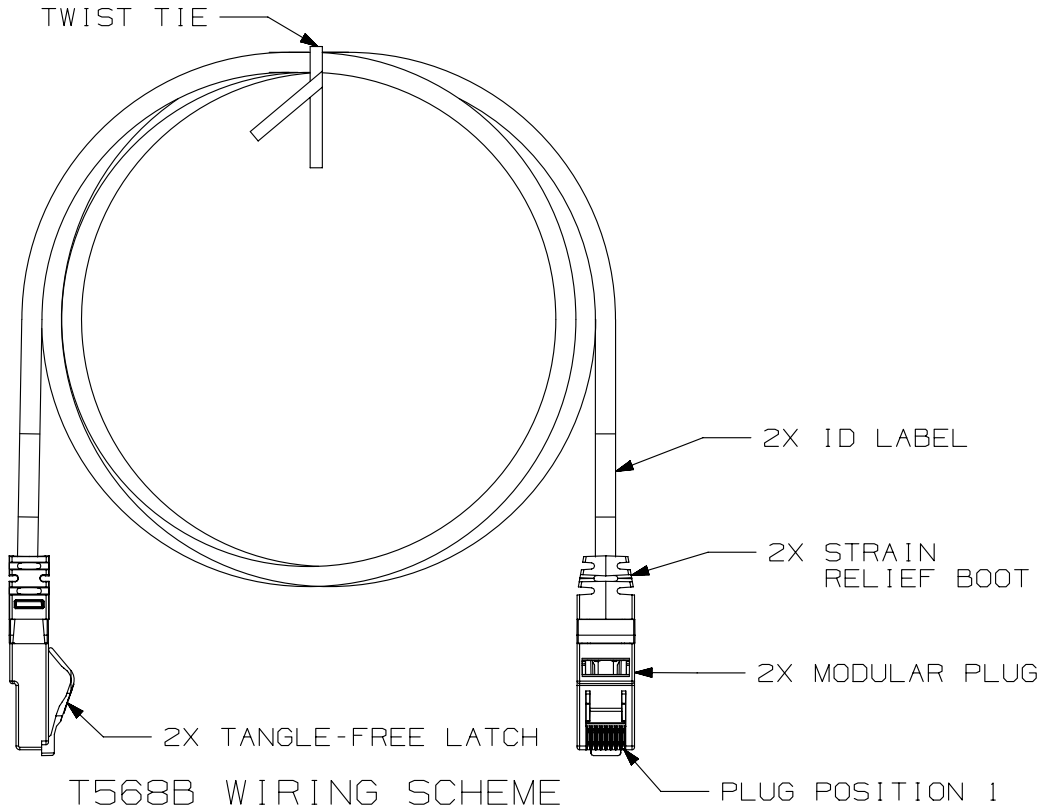


THIS COPY IS PROVIDED ON A RESTRICTED BASIS AND IS NOT TO BE USED IN ANY WAY DETRIMENTAL TO THE INTERESTS OF PANDUIT CORP.



NOTES:

1. CATEGORY 6 UTP PLUG-TO-PLUG ZONE CORD
2. AVAILABLE IN RISER (CMR), PLENUM (CMP), OR LOW SMOKE ZERO HALOGEN (LSZH) FLAME RATINGS
3. TERMINATED AT BOTH ENDS WITH TX6 PLUS UTP MODULAR PLUGS, B-WIRED.
4. CABLE JACKET COLOR IS BLUE.
5. CONSTRUCTED WITH CAT6, 24AWG, SOLID, UTP CABLE.
5. 100% FACTORY PERFORMANCE TESTED TO CATEGORY 6 PERMANENT LINK LIMITS

T568B WIRING SCHEME

PLUG POSITION:	CABLE WIRE:
1	WHITE/ORANGE
2	ORANGE
3	WHITE/GREEN
4	BLUE
5	WHITE/BLUE
6	GREEN
7	WHITE/BROWN
8	BROWN

PART NUMBER		SEE CHART ON SH2	
TITLE			
CATEGORY 6 PLUG-TO-PLUG ZONE CORDS			
CUSTOMER DRAWING			
ITEM REVISION NAME		M02479LQ/06	
DATASET FILE NAME		M02479LQ_DC304/06F	
UNLESS OTHERWISE SPECIFIED, DIMENSIONAL TOLERANCES ARE: IN [mm]		MATERIAL:	
.x ± .xxx ± .010 [.3]		DRAWING NUMBER:	
.xx ± .03 [.8]		02479-304	
ANGLES ±		THIRD ANGLE PROJECTION	
DRAWN BY		SCALE	
LZ		NONE	
DATE		SHT 1 OF 2	
3-18-06		A	
CHK		SIZE	
WJC		A	

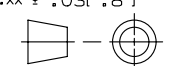
REV	DATE	BY	CHK	APR	DESCRIPTION	ECN
5	4-14-14	BJN	JSP	EJH	REVISED & REDRAWN PREVIOUS REVISIONS REMVD FOR CLARITY	02479-304

D10100DA/14

THIS COPY IS PROVIDED ON A RESTRICTED BASIS AND IS NOT TO BE USED IN ANY WAY DETRIMENTAL TO THE INTERESTS OF PANDUIT CORP.

PANDUIT PLENUM SERIES PART#	PANDUIT RISER SERIES PART#	PANDUIT LSZH SERIES PART#	MINIMUM CABLE LENGTH
UPPBU10Y	N/A	N/A	10 FT.(3.0 M.)
UPPBU15Y	N/A	N/A	15 FT.(4.6 M.)
UPPBU20Y	UPRBU20Y	N/A	20 FT.(6.1 M.)
UPPBU25Y	N/A	N/A	25 FT.(7.6 M.)
UPPBU30Y	UPRBU30Y	N/A	30 FT.(9.1 M.)
UPPBU35Y	N/A	N/A	35 FT.(10.7 M.)
UPPBU40Y	UPRBU40Y	N/A	40 FT.(12.2 M.)
UPPBU45Y	N/A	N/A	45 FT.(13.7 M.)
UPPBU50Y	UPRBU50Y	N/A	50 FT.(15.2 M.)
UPPBU55Y	N/A	N/A	55 FT.(16.8 M.)
UPPBU60Y	N/A	N/A	60 FT.(18.3 M.)
UPPBU65Y	N/A	N/A	65 FT.(19.8 M.)
UPPBU70Y	N/A	N/A	70 FT.(21.3 M.)
UPPBU75Y	N/A	N/A	75 FT.(22.9 M.)
UPPBU80Y	UPRBU80Y	N/A	80 FT.(24.4 M.)
UPPBU85Y	N/A	N/A	85 FT.(25.9 M.)
UPPBU90Y	N/A	N/A	90 FT.(27.4 M.)
UPPBU95Y	N/A	N/A	95 FT.(29.0 M.)
UPPBU100Y	UPRBU100Y	N/A	100 FT.(30.5 M.)
UPPBU110Y	N/A	N/A	110 FT.(33.5 M.)
UPPBU120Y	N/A	N/A	120 FT.(36.6 M.)
UPPBU130Y	N/A	N/A	130 FT.(39.6 M.)
UPPBU140Y	N/A	N/A	140 FT.(42.7 M.)
UPPBU150Y	N/A	N/A	150 FT.(45.7 M.)
N/A	UPRBU4MY	UPLBU4MY	4 M.(13.1 FT.)
N/A	UPRBU5MY	UPLBU5MY	5 M.(16.4 FT.)
N/A	UPRBU6MY	UPLBU6MY	6 M.(19.7 FT.)
N/A	UPRBU7MY	UPLBU7MY	7 M.(23.0 FT.)
N/A	UPRBU8MY	UPLBU8MY	8 M.(26.2 FT.)
N/A	UPRBU9MY	UPLBU9MY	9 M.(29.5 FT.)
N/A	UPRBU10MY	UPLBU10MY	10 M.(32.8 FT.)
N/A	UPRBU11MY	UPLBU11MY	11 M.(36.1 FT.)
N/A	UPRBU12MY	UPLBU12MY	12 M.(39.4 FT.)

PANDUIT PLENUM SERIES PART#	PANDUIT RISER SERIES PART#	PANDUIT LSZH SERIES PART#	MINIMUM CABLE LENGTH
N/A	UPRBU13MY	UPLBU13MY	13 M.(42.7 FT.)
N/A	UPRBU14MY	UPLBU14MY	14 M.(45.9 FT.)
N/A	UPRBU15MY	UPLBU15MY	15 M.(49.2 FT.)
N/A	UPRBU16MY	UPLBU16MY	16 M.(52.5 FT.)
N/A	UPRBU18MY	UPLBU18MY	18 M.(59.1 FT.)
N/A	UPRBU20MY	UPLBU20MY	20 M.(65.6 FT.)
N/A	UPRBU22MY	UPLBU22MY	22 M.(72.2 FT.)
N/A	UPRBU24MY	UPLBU24MY	24 M.(78.7 FT.)
N/A	UPRBU26MY	UPLBU26MY	26 M.(85.3 FT.)
N/A	UPRBU28MY	UPLBU28MY	28 M.(91.9 FT.)
N/A	UPRBU30MY	UPLBU30MY	30 M.(98.4 FT.)
N/A	UPRBU32MY	UPLBU32MY	32 M.(105.0 FT.)
N/A	UPRBU34MY	UPLBU34MY	34 M.(111.5 FT.)
N/A	UPRBU36MY	UPLBU36MY	36 M.(118.1 FT.)
N/A	UPRBU38MY	UPLBU38MY	38 M.(124.7 FT.)
N/A	UPRBU40MY	UPLBU40MY	40 M.(131.2 FT.)
N/A	UPRBU42MY	UPLBU42MY	42 M.(137.8 FT.)
N/A	UPRBU44MY	UPLBU44MY	44 M.(144.4 FT.)
N/A	UPRBU46MY	UPLBU46MY	46 M.(150.9 FT.)
N/A	UPRBU48MY	UPLBU48MY	48 M.(157.5 FT.)
N/A	UPRBU50MY	UPLBU50MY	50 M.(164.0 FT.)

PART NUMBER		SEE CHART ON SH2	
TITLE			
CATEGORY 6 PLUG-TO-PLUG ZONE CORDS			
CUSTOMER DRAWING			
ITEM REVISION NAME		M02479LQ/06	
DATASET FILE NAME		M02479LQ_DC304/06F	
UNLESS OTHERWISE SPECIFIED, DIMENSIONAL TOLERANCES ARE: IN [mm]		PANDUIT	
.x ± .xxx ± .010 [.3] .xx ± .03 [.8]			
DRAWING NUMBER:		02479-304	
THIRD ANGLE PROJECTION			
DRAWN BY	DATE	CHK	SCALE
LZ	3-18-06	WJC	NONE
SHT 1 OF 1			A

5	4-14-14	BJN	JSP	EJH	SEE SHEET 1 FOR REVISION HISTORY	02479-304
REV	DATE	BY	CHK	APR	DESCRIPTION	ECN

D10100DA/14