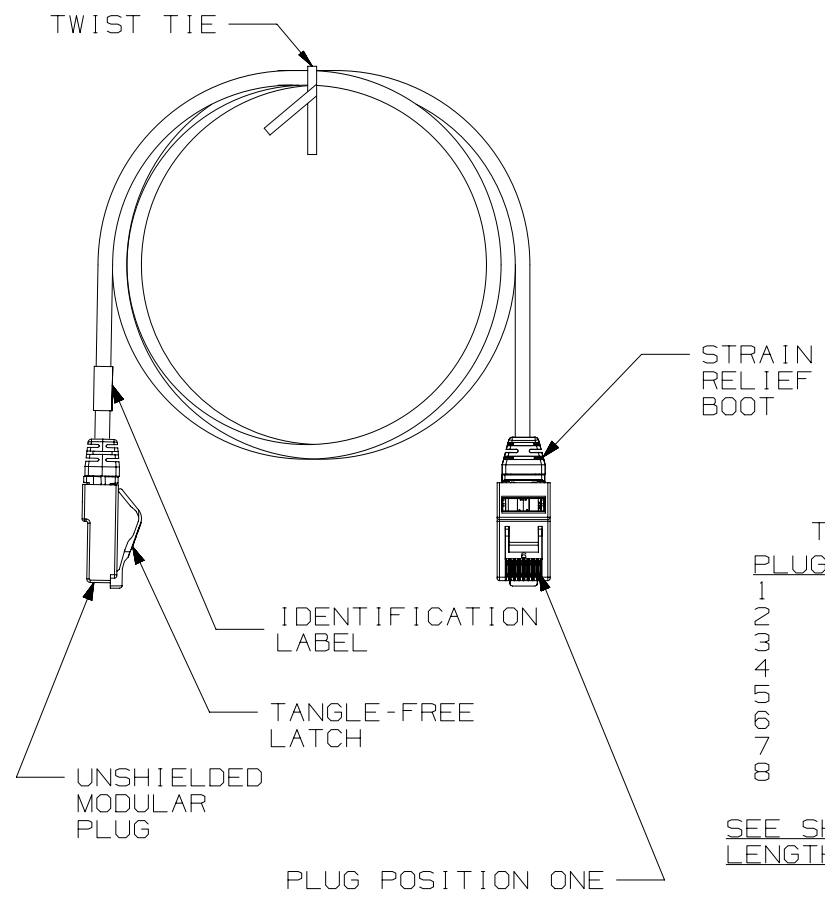


THIS COPY IS PROVIDED ON A RESTRICTED BASIS AND IS NOT TO BE USED IN ANY WAY DETRIMENTAL TO THE INTERESTS OF PANDUIT CORP.

- NOTES:
- CATEGORY 6A UTP 28AWG CATEGORY 6A PATCH CORDS
 - c(UL)us LISTED, FILE NUMBER E129886
 - TERMINATED WITH (8 POSITION) MODULAR PLUGS AT BOTH ENDS PER T568B.
 - CONSTRUCTED WITH 28AWG SOLID CONDUCTOR CATEGORY 6A F/UTP HALOGEN FREE (CM/LSZH) PATCH CABLE
 - MATERIALS:
PLUG: POLYCARBONATE
CONTACTS: GOLD PLATED PHOSPHOR BRONZE
 - NOMINAL CABLE DIAMETER IS 0.185IN (4.7MM).
 - ALL MATERIALS AND COMPONENTS USED MUST MEET THE MATERIALS RESTRICTIONS OF RoHS, (EUROPEAN DIRECTIVE 2011/65/EU ON THE RESTRICTION OF HAZARDOUS SUBSTANCES) AS PROPOSED BY THE RoHS TECHNICAL ADAPTATION COMMITTEE.
 - 100% FACTORY TESTED FOR CATEGORY 6A PATCH CORD PERFORMANCE
 - USE 28AWG CAT6A JACK (CJT6X88TG**) FOR FIELD TERMINATION.
 - (AA)=FINAL PATCH CORD ASSEMBLY LENGTH REQUIREMENT (Y)=PATCH CORDS ASSEMBLY LENGTH CODES, NO SUFFIX=FT, IN=INCHES, M=METERS (**)=COLOR OF CABLE JACKET



T568B WIRING SCHEME

PLUG POSITION	CABLE WIRE
1	WHITE ORANGE
2	ORANGE
3	WHITE GREEN
4	BLUE
5	WHITE BLUE
6	GREEN
7	WHITE BROWN
8	BROWN

SEE SHEET 2 FOR PATCH CORD LENGTHS AND PART NUMBERS

CABLE COLORS	** = COLOR
OFF WHITE	--
BLACK	BL
BLUE	BU
RED	RD
YELLOW	YL
GREEN	GR
ORANGE	OR
VIOLET	VL
GREY	GY
PINK	PK
PASTEL BLUE	PB

PART NUMBER UTP28XAA** (SEE NOTE 10)	PRODUCT SPEC/PKG SPEC N/A
I.I. NUMBER N/A	WORK INSTRUCTION N/A

TITLE
CATEGORY 6A UTP 28AWG COPPER PATCH CORDS (CM/LSZH)
CUSTOMER DRAWING

ITEM REVISION NAME
13M465AE/02

DATASET FILE NAME
13M465AE_DC02/02A

UNLESS OTHERWISE SPECIFIED, DIMENSIONAL TOLERANCES ARE: IN (mm)
.x ± .06 (1.5) .xxx ± .010 (.3)
.xx ± ANGLES ±

MATERIAL:
SEE NOTE 5

DRAWING NUMBER:
13M465AE-02

THIRD ANGLE PROJECTION

REV	DATE	BY	CHK	APR	DESCRIPTION	ECN
3	12-21-17	MDJR	MATO	SRSE	D. ADDED PASTEL BLUE COLOR. C. ADDED NOTE 10 AS PART NUMBER KEY	13M465AE-02
2	6-2-16	BJN	DCS	TMBA	B. ADDED PINK TO CABLE COLORS OFFERING	13M465AE-02
1	12-29-15	BJN	DCS	TMBA	A. CORRECTED PART NUMBER	13M465AE-02
R	11-20-14	BJN	BJBE/DCS	FMS	RELEASED TO PRODUCTION	13M465AE-02

REV	DATE	BY	CHK	APR	DESCRIPTION	ECN	DRAWN BY BJN	DATE 11-20-14	CHK DCS	SCALE NONE	SHT 1 OF 2	SIZE A
-----	------	----	-----	-----	-------------	-----	-----------------	------------------	------------	---------------	------------	-----------

D10100DA/14

2

1

THIS COPY IS PROVIDED ON A RESTRICTED BASIS AND IS NOT TO BE USED IN ANY WAY DETRIMENTAL TO THE INTERESTS OF PANDUIT CORP.



CATEGORY 6A UTP 28AWG PATCH CORDS

A

PANDUIT PART NUMBER	MIN. CABLE LENGTH
UTP28X3Y**	3 FEET
UTP28X5Y**	5 FEET
UTP28X7Y**	7 FEET
UTP28X10Y**	10 FEET
UTP28X14Y**	14 FEET
UTP28X20Y**	20 FEET
UTP28X1MY**	1 METER
UTP28X1.5MY**	1.5 METER
UTP28X2MY**	2 METER
UTP28X3MY**	3 METER
UTP28X5MY**	5 METER

B

B

PART NUMBER	UTP28X AAA Y** 	PRODUCT SPEC/PKG SPEC	N/A
I.I. NUMBER	N/A	WORK INSTRUCTION	N/A
TITLE			
CATEGORY 6A UTP 28AWG COPPER PATCH CORDS (CM/LSZH) CUSTOMER DRAWING			
ITEM REVISION NAME		13M465AE/02	
DATASET FILE NAME		13M465AE_DC02/02A	
UNLESS OTHERWISE SPECIFIED, DIMENSIONAL TOLERANCES ARE: IN [mm]			
.x ± .06 [1.5] .xxx ± .010 [.3] .xx ± ANGLES ±			
DRAWN BY		DATE	CHK
BJN		11-20-14	DCS
SCALE		NONE	
DRAWING NUMBER:		13M465AE-02	
REV		DATE	BY
DESCRIPTION		ECN	SIZE
SHT 2 OF 2		A	

A

A

2

1

D10100DA/14