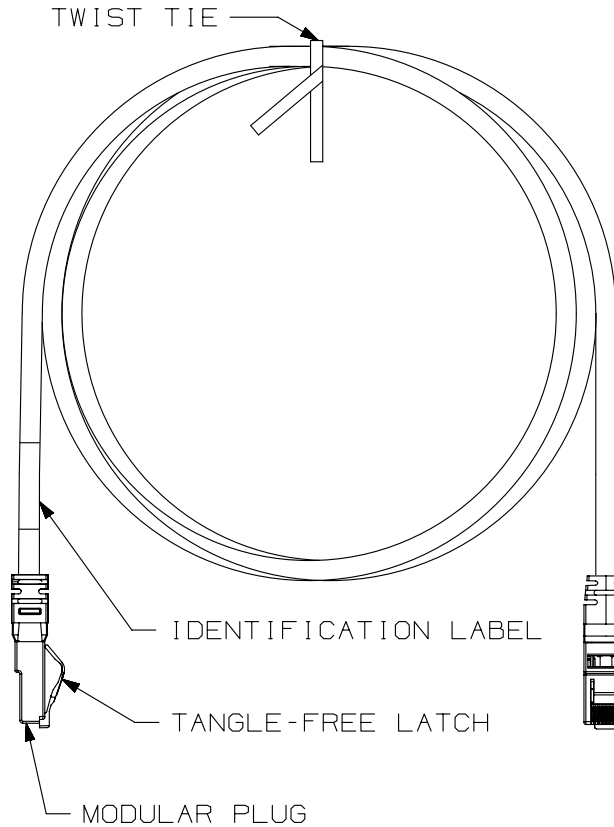


THIS COPY IS PROVIDED ON A RESTRICTED BASIS AND IS NOT TO BE USED IN ANY WAY DETRIMENTAL TO THE INTERESTS OF PANDUIT CORP.

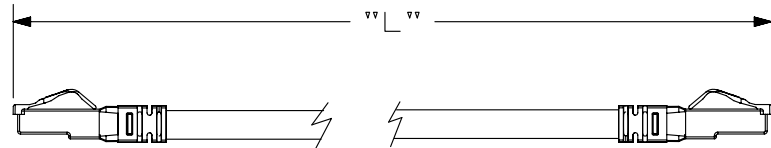


T568B WIRING SCHEME

PLUG POSITION:	CABLE WIRE:
1	WHITE/ORANGE
2	ORANGE
3	WHITE/GREEN
4	BLUE
5	WHITE/BLUE
6	GREEN
7	WHITE/BROWN
8	BROWN

NOTES:

1. CAT6A (10GIG) UTP PATCH CORDS
2. 100% FACTORY PERFORMANCE TESTED
3. EXCEEDS ANSI/TIA 568-C.2 CAT6A AND ISO11801 CLASS E_a REQUIREMENTS
4. C(UL)US LISTED, FILE NUMBER E129886
5. SEE CATALOG FOR A COMPLETE LIST OF PARTS APPLICABLE FOR USE WITH THIS PART.
6. NOMINAL CABLE JACKET DIAMETER IS .275in. (7.0mm)



SEE SHEET 2 FOR PATCH CORD LENGTHS AND PART NUMBERS

PART NUMBER		UTP6A**	
TITLE			
TX6A 10GIG UTP PATCH CORDS (CMR)			
CUSTOMER DRAWING			
ITEM REVISION NAME		M02998BE/00	
DATASET FILE NAME		M02998BE_DC07/00D	
UNLESS OTHERWISE SPECIFIED, DIMENSIONAL TOLERANCES ARE: IN (mm)		MATERIAL:	
.x ± .xxx ± .010 (.3)			
.xx ± .03 (.8) ANGLES ±		DRAWING NUMBER:	
		02998-07	
DRAWN BY		SCALE	
BJN		NONE	
DATE		SHT 1 OF 3	
3-17-09		A	
CHK		SIZE	
MKY		A	

REV	DATE	BY	CHK	APR	DESCRIPTION	ECN
3	4-9-14	BJN	JSP	EJH	REVISED & REDRAWN PREVIOUS REVISIONS REMVD FOR CLARITY	02998-07

D10100DA/14

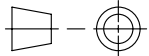
THIS COPY IS PROVIDED ON A RESTRICTED BASIS AND IS NOT TO BE USED IN ANY WAY DETRIMENTAL TO THE INTERESTS OF PANDUIT CORP.

TX6A 10GIG UTP PATCH CORDS (CM)

PATCHCORD PART NUMBER	CUT LENGTH (BEFORE STRIPPING)	MINIMUM ("L") LENGTH	WEIGHT (APPROX.)
UTP6A3**	40"	3 FT.(36") .91M	.217 LB (99g)
UTP6A4**	52"	4 FT.(48") 1.22M	.255 LB (116g)
UTP6A5**	64"	5 FT.(60") 1.52M	.293 LB (133g)
UTP6A6**	76"	6 FT.(72") 1.83M	.331 LB (150g)
UTP6A7**	88"	7 FT.(84") 2.13M	.369 LB (168g)
UTP6A8**	100"	8 FT.(96") 2.44M	.407 LB (185g)
UTP6A9**	112"	9 FT.(108") 2.74M	.446 LB (202g)
UTP6A10**	124"	10 FT.(120") 3.05M	.484 LB (219g)
UTP6A11**	136"	11 FT.(132") 3.35M	.522 LB (237g)
UTP6A12**	148"	12 FT.(144") 3.66M	.560 LB (254g)
UTP6A13**	160"	13 FT.(156") 3.96M	.598 LB (271g)
UTP6A14**	172"	14 FT.(168") 4.27M	.636 LB (288g)
UTP6A15**	184"	15 FT.(180") 4.57M	.674 LB (306g)
UTP6A16**	196"	16 FT.(192") 4.88M	.712 LB (323g)
UTP6A17**	208"	17 FT.(204") 5.18M	.750 LB (340g)
UTP6A18**	220"	18 FT.(216") 5.49M	.788 LB (357g)
UTP6A19**	232"	19 FT.(228") 5.79M	.826 LB (375g)
UTP6A20**	244"	20 FT.(240") 6.10M	.864 LB (392g)
UTP6A25**	304"	25 FT.(300") 7.62M	1.054 LB (478g)
UTP6A30**	364"	30 FT.(360") 9.14M	1.244 LB (564g)
UTP6A35**	424"	35 FT.(420") 10.67	1.434 LB (651g)
UTP6A40**	484"	40 FT.(480") 12.19M	1.625 LB (737g)
UTP6A45**	544"	45 FT.(540") 13.72M	1.815 LB (823g)
UTP6A50**	604"	50 FT.(600") 15.24M	2.005 LB (909g)
UTP6A1M**	43"	1 M.(39.4") 3.28FT.	.228 LB (103g)
UTP6A1.5M**	63"	1.5 M.(59.1") 4.92FT.	.290 LB (132g)
UTP6A2M**	83"	2 M.(78.8") 6.56FT.	.353 LB (160g)
UTP6A3M**	122"	3 M.(118.2") 9.84FT.	.478 LB (217g)
UTP6A4M**	162"	4 M.(157.7") 13.12FT.	.602 LB (273g)
UTP6A5M**	201"	5 M.(196.9") 16.40FT.	.727 LB (330g)
UTP6A6M**	240"	6 M.(236.4") 19.69FT.	.852 LB (386g)
UTP6A7M**	280"	7 M.(275.8") 22.97FT.	.977 LB (443g)
UTP6A10M**	398"	10 M.(393.7") 32.81FT.	1.351 LB (613g)
UTP6A15M**	595"	15 M.(590.6") 49.21FT.	1.975 LB (896g)
UTP6A20M**	791"	20 M.(787.4") 65.62FT.	2.599 LB (117.9g)
UTP6A25M**	988"	25 M.(984.3") 82.02FT.	3.223 LB (146.2g)
UTP6A30M**	1185"	30 M.(1181.1") 98.43FT.	3.847 LB (174.5g)

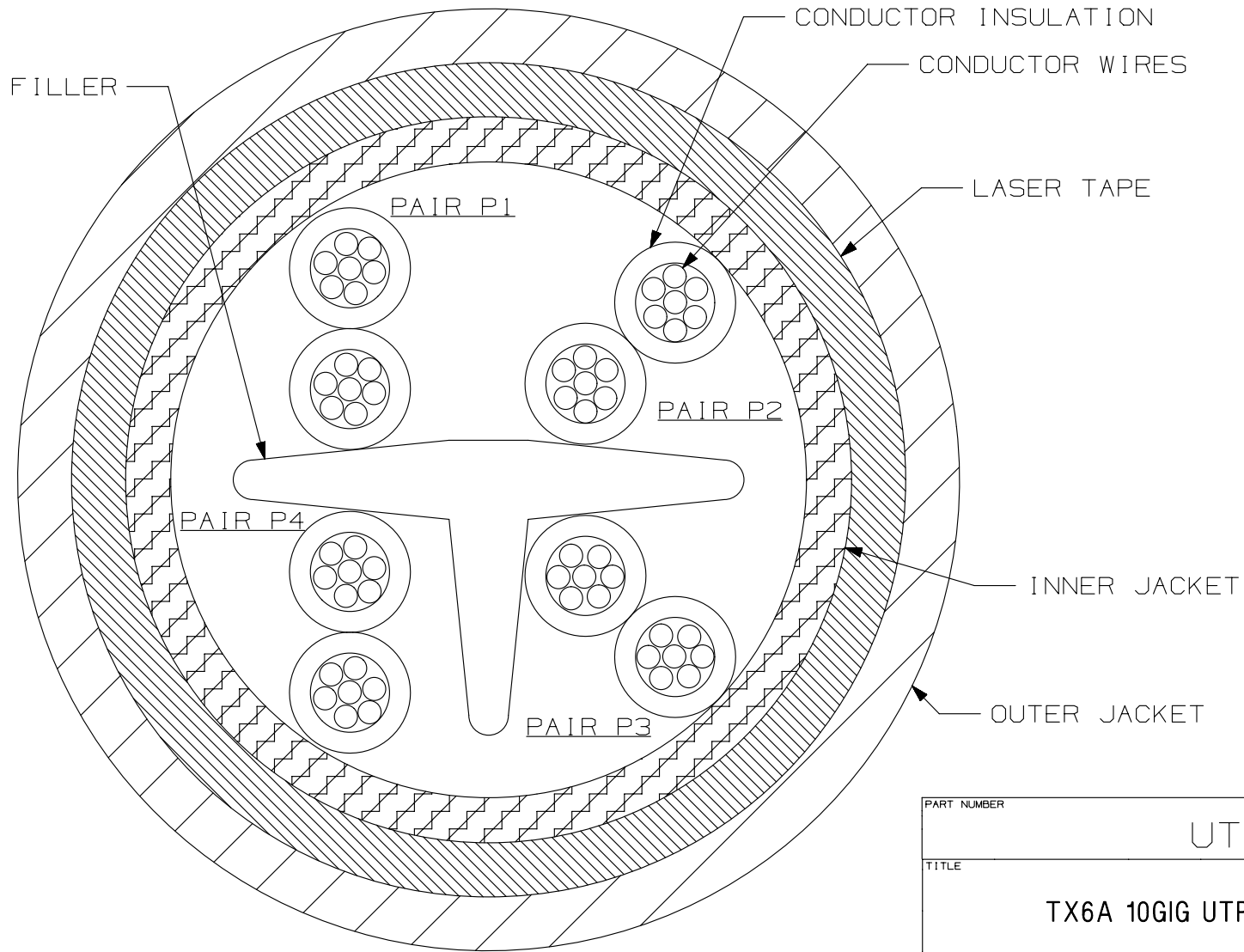
** = COLOR OF CABLE
 BLANK = OFF-WHITE
 BU = BLUE
 RD = RED
 YL = YELLOW
 BL = BLACK
 OR = ORANGE
 GR = GREEN
 VL = VIOLET
 GY = GRAY

NOTE - STRAIN RELIEF BOOTS AVAILABLE IN CLEAR ONLY

PART NUMBER		UTP6A**	
TITLE			
TX6A 10GIG UTP PATCH CORDS (CMR)			
CUSTOMER DRAWING			
ITEM REVISION NAME		M02998BE/00	
DATASET FILE NAME		M02998BE_DC07/00D	
UNLESS OTHERWISE SPECIFIED, DIMENSIONAL TOLERANCES ARE: IN [mm]		MATERIAL:	
.x ± .xxx ± .010 [.3]		DRAWING NUMBER:	
.xx ± .03 [.8]		02998-07	
		THIRD ANGLE PROJECTION	
DRAWN BY	DATE	CHK	SCALE
BJN	3-17-09	MKY	NONE
REV	DATE	BY	CHK
APR			
DESCRIPTION		ECN	
		02998-07	
SEE SHEET 1 FOR REVISION HISTORY		SHT 2 OF 3	
		A	

D10100DA/14

THIS COPY IS PROVIDED ON A RESTRICTED BASIS AND IS NOT TO BE USED IN ANY WAY DETRIMENTAL TO THE INTERESTS OF PANDUIT CORP.



CROSS-SECTIONAL VIEW OF CABLE

PART NUMBER		UTP6A**	
TITLE		TX6A 10GIG UTP PATCH CORDS (CMR)	
		CUSTOMER DRAWING	
ITEM REVISION NAME		M02998BE/00	
DATASET FILE NAME		M02998BE_DC07/00D	
UNLESS OTHERWISE SPECIFIED, DIMENSIONAL TOLERANCES ARE: IN [mm]		PANDUIT	
.x ± .xxx ± .010 [.3] .xx ± .03 [.8] ANGLES ±			
DRAWING NUMBER:		02998-07	
DRAWN BY	DATE	CHK	SCALE
BJN	3-17-09	MKY	NONE
REV	DATE	BY	CHK
3	4-9-14	BJN	JSP
DESCRIPTION		APR	ECN
SEE SHEET 1 FOR REVISION HISTORY			02998-07

D10100DA/14