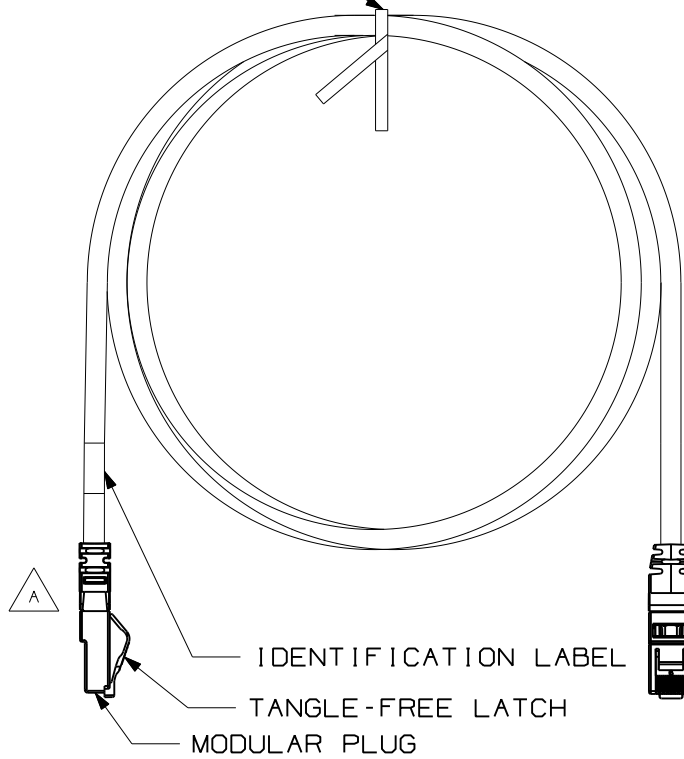


THIS COPY IS PROVIDED ON A RESTRICTED BASIS AND IS NOT TO BE USED IN ANY WAY DETRIMENTAL TO THE INTERESTS OF PANDUIT CORP.

TWIST TIE



T568B WIRING SCHEME

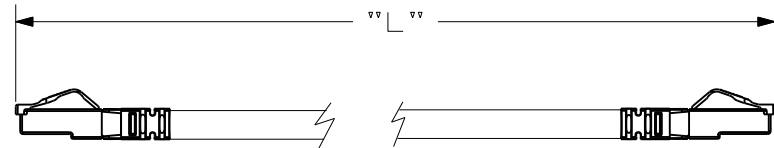
PLUG POSITION:	CABLE WIRE:
1	WHITE/ORANGE
2	ORANGE
3	WHITE/GREEN
4	BLUE
5	WHITE/BLUE
6	GREEN
7	WHITE/BROWN
8	BROWN

NOTES:

1. SEE CURRENT CATALOG FOR VARIOUS APPLICATIONS AND TO INDICATE COLOR AND OR PACKAGE QUANTITY.
2. SEE CATALOG FOR A COMPLETE LIST OF PARTS APPLICABLE FOR USE WITH THIS PART.
3. NOMINAL CABLE JACKET DIAMETER IS .240in. (6.096mm)
4. CONSTRUCTED WITH 26AWG STRANDED CAT 6A 10GIG CM RATED CABLE
5. TERMINATED WITH (8 POSITION) MODULAR PLUGS AT BOTH ENDS PER T568B.
6. MATERIALS:
PLUG: POLYCARBONATE
BOOT: CLEAR PVC



STRAIN RELIEF BOOT



SEE SHEET 2 FOR PATCH CORD LENGTHS AND PART NUMBERS

MODEL FILENAME										DRAWING FILENAME		TITLE		I.I. NUMBER	
										09M129BE_DC02/00B		TX6A-SD 10GIG UTP PATCH CORDS (CM) CUSTOMER DRAWING		A	
										PANDUIT [®] CORP. TINLEY PARK, IL 60477		PRODUCT SPEC		SCALE	
										THIRD ANGLE PROJECTION		ALL DIMENSIONS ARE GIVEN IN INCHES, UNLESS OTHERWISE SPECIFIED.		WORK INSTRUCTION	
										DIMENSIONAL TOLERANCES ARE: (.X) ± (.XXX) ± (.XX) ± ANGLES ±		SCALE		NONE	
										DRAWN BY BJN		REVIEW DRAWING NUMBERS		PART NO. UTP6ASD**	
										DATE 1-18-10				DRAWING NO. 09M129BE-02	
										CHK'D MKY				SHEET 1 OF 2	
REV	DATE	BY	CHK	DESCRIPTION	ECN	R	CUST	SUP	OTH						
I	5-12-10	BJN		A. CORRECT BOOT MATERIAL AND FLAME RATING B. ADD 2.5M LG	09M129BE-02										
R	1-18-10	BJN	MKY	RELEASED TO PRODUCTION	09M129BE-02		PBD								


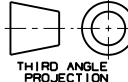
THIS COPY IS PROVIDED ON A RESTRICTED BASIS AND IS NOT TO BE USED IN ANY WAY DETRIMENTAL TO THE INTERESTS OF PANDUIT CORP.

PATCHCORD PART NUMBER	MINIMUM ("L") LENGTH
UTP6ASD3**	3 FT.(36") .91M
UTP6ASD4**	4 FT.(48") 1.22M
UTP6ASD5**	5 FT.(60") 1.52M
UTP6ASD6**	6 FT.(72") 1.83M
UTP6ASD7**	7 FT.(84") 2.13M
UTP6ASD8**	8 FT.(96") 2.44M
UTP6ASD9**	9 FT.(108") 2.74M
UTP6ASD10**	10 FT.(120") 3.05M
UTP6ASD11**	11 FT.(132") 3.35M
UTP6ASD12**	12 FT.(144") 3.66M
UTP6ASD13**	13 FT.(156") 3.96M
UTP6ASD14**	14 FT.(168") 4.27M
UTP6ASD15**	15 FT.(180") 4.57M
UTP6ASD16**	16 FT.(192") 4.88M
UTP6ASD17**	17 FT.(204") 5.18M
UTP6ASD18**	18 FT.(216") 5.49M
UTP6ASD19**	19 FT.(228") 5.79M
UTP6ASD20**	20 FT.(240") 6.10M
UTP6ASD25**	25 FT.(300") 7.62M
UTP6ASD30**	30 FT.(360") 9.14M
UTP6ASD35**	35 FT.(420") 10.67
UTP6ASD40**	40 FT.(480") 12.19M
UTP6ASD45**	45 FT.(540") 13.72M
UTP6ASD50**	50 FT.(600") 15.24M
UTP6ASD1M**	1 M.(39.4") 3.28FT.
UTP6ASD1.5M**	1.5 M.(59.1") 4.92FT.
UTP6ASD2M**	2 M.(78.8") 6.56FT.
UTP6ASD2.5M**	2.5 M.(98.5") 8.21FT.
UTP6ASD3M**	3 M.(118.2") 9.84FT.
UTP6ASD4M**	4 M.(157.7") 13.12FT.
UTP6ASD5M**	5 M.(196.9") 16.40FT.
UTP6ASD6M**	6 M.(236.4") 19.69FT.
UTP6ASD7M**	7 M.(275.8") 22.97FT.
UTP6ASD10M**	10 M.(393.7") 32.81FT.
UTP6ASD15M**	15 M.(590.6") 49.21FT.
UTP6ASD20M**	20 M.(787.4") 65.62FT.
UTP6ASD25M**	25 M.(984.3") 82.02FT.
UTP6ASD30M**	30 M.(1181.1") 98.43FT.

B

** = COLOR OF CABLE
 BLANK = OFF WHITE
 BU = BLUE
 RD = RED
 YL = YELLOW
 BL = BLACK
 OR = ORANGE
 GR = GREEN
 VL = VIOLET

NOTE - STRAIN RELIEF BOOTS AVAILABLE
 IN CLEAR ONLY

MODEL FILENAME		SIZE	A
DRAWING FILENAME	09M129BE_DC02/00B		
TITLE	TX6A-SD 10GIG UTP PATCH CORDS (CM) CUSTOMER DRAWING		
	PANDUIT ^R CORP. TINLEY PARK, IL 60477	I.I. NUMBER	
		PRODUCT SPEC	
	ALL DIMENSIONS ARE GIVEN IN INCHES, UNLESS OTHERWISE SPECIFIED, DIMENSIONAL TOLERANCES ARE: (.X) ± (.XXX) ± (.XX) ± ANGLES ±	WORK INSTRUCTION	
		SCALE	NONE
DRAWN BY	REVIEW DRAWING NUMBERS	PART NO.	UTP6ASD**
BJN			
DATE		DRAWING NO.	09M129BE-02
1-18-10			SHEET 2 OF 2
CHK'D			
MKY			

REV	DATE	BY	CHK	DESCRIPTION	ECN	R	CUST	SUP	OTH
1	5-12-10	BJN		SEE SHEET 1 FOR REVISIONS	09M129BE-02				