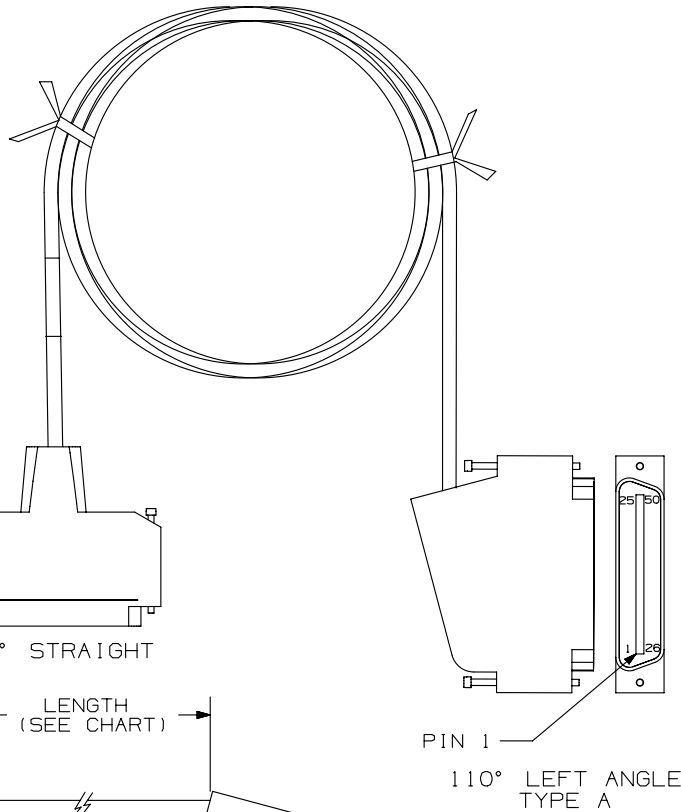


THIS COPY IS PROVIDED ON A RESTRICTED BASIS AND IS NOT TO BE USED IN ANY WAY DETRIMENTAL TO THE INTERESTS OF PANDUIT CORP.



PART NUMBER	LENGTH		WEIGHT
	+6" (152.4)	-2" (50.8)	
UTPCH8SL25Y	8'	(2438.4)	1.20 LB/EACH (545 G/EACH)
UTPCH10SL25Y	10'	(3048)	1.44 LB/EACH (654 G/EACH)
UTPCH15SL25Y	15'	(4572)	2.05 LB/EACH (932 G/EACH)
UTPCH20SL25Y	20'	(6096)	2.66 LB/EACH (1209 G/EACH)
UTPCH6SL25Y	6'	(1829)	.96 LB/EACH (435 G/EACH)

- NOTES:
1. SEE CURRENT CATALOG TO INDICATE PACKAGE QUANTITY.
  2. SEE CATALOG FOR COMPLETE LIST OF PARTS APPLICABLE FOR USE WITH THIS PART.
  3. MATES WITH FEMALE RJ21 CONNECTOR AND 10/100 BASE T PATCH PANEL.
  4. CATEGORY 5 AND POWER SUM RATED.
  5. DIMENSIONS IN PARENTHESES ARE IN METRIC.

PART NUMBER		UTPCH**SL25Y	
TITLE			
25 PAIR PATCH CORD ASSEMBLY ONE 110° LEFT RJ21 MALE CONNECTOR AND ONE 180° RJ21 MALE CONNECTOR			
CUSTOMER DRAWING			
ITEM REVISION NAME		M02479KJ/00	
DATASET FILE NAME		M02479KJ_DC271/00B	
UNLESS OTHERWISE SPECIFIED, DIMENSIONAL TOLERANCES ARE: IN [ mm ]		MATERIAL:	
.x ± .xxx ± .010 [ .3 ]		DRAWING NUMBER:	
.xx ± .03 [ .8 ]		02479-271	
ANGLES ±		THIRD ANGLE PROJECTION	
DRAWN BY		SCALE	
NER		NONE	
DATE		SHT 1 OF 1	
3-20-06		A	
CHK		SIZE	
WJC		A	

REV	DATE	BY	CHK	APR	DESCRIPTION	ECN
1	4-7-14	BJN	JSP	EJH	REVISED & REDRAWN PREVIOUS REVISIONS REMVD FOR CLARITY	02479-271

D10100DA/14

2

1

2

1