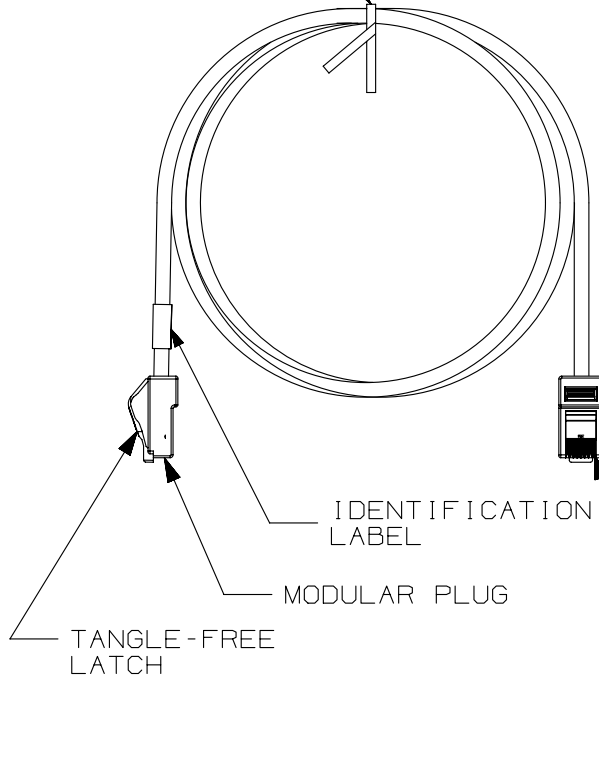


THIS COPY IS PROVIDED ON A RESTRICTED BASIS AND IS NOT TO BE USED IN ANY WAY DETRIMENTAL TO THE INTERESTS OF PANDUIT CORP.

TWIST TIE



NOTES:

1. TX5e CATEGORY 5e UTP LSZH PATCH CORD
2. 100% PERFORMANCE TESTED TO CAT5e PATCH CORD LIMITS.
3. TERMINATED WITH (8 POSITION) MODULAR PLUGS AT BOTH ENDS PER T568A.
4. CONSTRUCTED WITH 24AWG STRANDED CAT5e UTP LSZH PATCH CABLE
5. MATERIALS:  
PLUG: POLYCARBONATE
6. NOMINAL CABLE DIAMETER IS 0.215 IN (5.46MM).
7. OPERATING TEMPERATURE: -10°C TO 60°C.
8. STORAGE TEMPERATURE: -40°C TO 70°C.
9. UL LISTED, FILE NUMBER E12986

T568A WIRING SCHEME

PLUG POSITION	CABLE WIRE
1	WHITE/GREEN
2	GREEN
3	WHITE/ORANGE
4	BLUE
5	WHITE/BLUE
6	ORANGE
7	WHITE BROWN
8	BROWN

CABLE COLORS	** = COLOR
OFF-WHITE	BLANK
BLUE	BU
RED	RD
GREEN	GR
ORANGE	OR

SEE SHEET 2 FOR PATCH CORD LENGTHS AND PART NUMBERS

PART NUMBER		UTPCHLXX**Y	
TITLE		TX5e UTP PATCH CORDS (LSZH)	
CUSTOMER DRAWING			
ITEM REVISION NAME		M02479MJ/07	
DATASET FILE NAME		M02479MJ_DC323/07D	
UNLESS OTHERWISE SPECIFIED, DIMENSIONAL TOLERANCES ARE: IN [ mm ]		MATERIAL:	
.x ±		.xxx ± .010 [ .3 ]	
.xx ± .03 [ .8 ]		ANGLES ±	
DRAWING NUMBER:		02479-323	
THIRD ANGLE PROJECTION			
DRAWN BY	DATE	CHK	SCALE
NER	3-23-06	WJC	NONE
SHT 1 OF 2			SIZE
			A

REV	DATE	BY	CHK	APR	DESCRIPTION	ECN
3	4-9-14	BJN	JSP	EJH	REVISED & REDRAWN PREVIOUS REVISIONS REMVD FOR CLARITY	02479-323

D10100DA/14

2

1

2

1

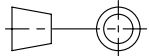
2

1

THIS COPY IS PROVIDED ON A RESTRICTED BASIS AND IS NOT TO BE USED IN ANY WAY DETRIMENTAL TO THE INTERESTS OF PANDUIT CORP.

TX5e UTP LSZH PATCH CORDS

PANDUIT PART NUMBER	MIN. CABLE LENGTH
UTPCHL0.5M**Y	0.5 m
UTPCHL1M**Y	1 m
UTPCHL1.5M**Y	1.5 m
UTPCHL2M**Y	2 m
UTPCHL2.5M**Y	2.5 m
UTPCHL3M**Y	3 m
UTPCHL3.5M**Y	3.5 m
UTPCHL4M**Y	4 m
UTPCHL4.5M**Y	4.5 m
UTPCHL5M**Y	5 m
UTPCHL6M**Y	6 m
UTPCHL7M**Y	7 m
UTPCHL8M**Y	8 m
UTPCHL9M**Y	9 m
UTPCHL10M**Y	10 m
UTPCHL15M**Y	15 m
UTPCHL20M**Y	20 m
UTPCHL25M**Y	25 m
UTPCHL30M**Y	30 m
UTPCHL35M**Y	35 m
UTPCHL40M**Y	40 m

PART NUMBER		UTPCHLXX**Y	
TITLE			
TX5e UTP PATCH CORDS (LSZH)			
CUSTOMER DRAWING			
ITEM REVISION NAME		M02479MJ/07	
DATASET FILE NAME		M02479MJ_DC323/07D	
UNLESS OTHERWISE SPECIFIED, DIMENSIONAL TOLERANCES ARE: IN (mm)			
.x ± .xx ± .03 (.8)      .xxx ± .010 (.3) ANGLES ±			
DRAWING NUMBER:		02479-323	
DRAWN BY	DATE	CHK	SCALE
NER	3-23-06	WJC	NONE
SHT 2 OF 2		A	

REV	DATE	BY	CHK	APR	DESCRIPTION	ECN
3	4-9-14	BJN	JSP	EJH	SEE SHEET 1 FOR REVISION HISTORY	02479-323

2

1

D10100DA/14