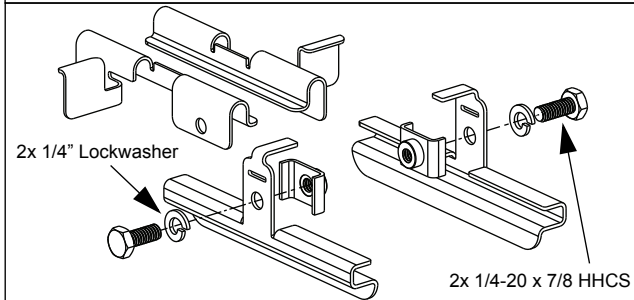


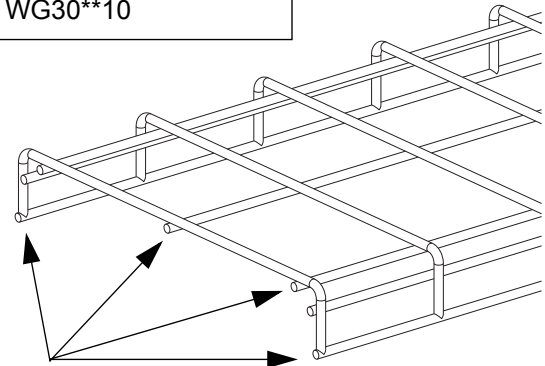
**WGESPL\*\***



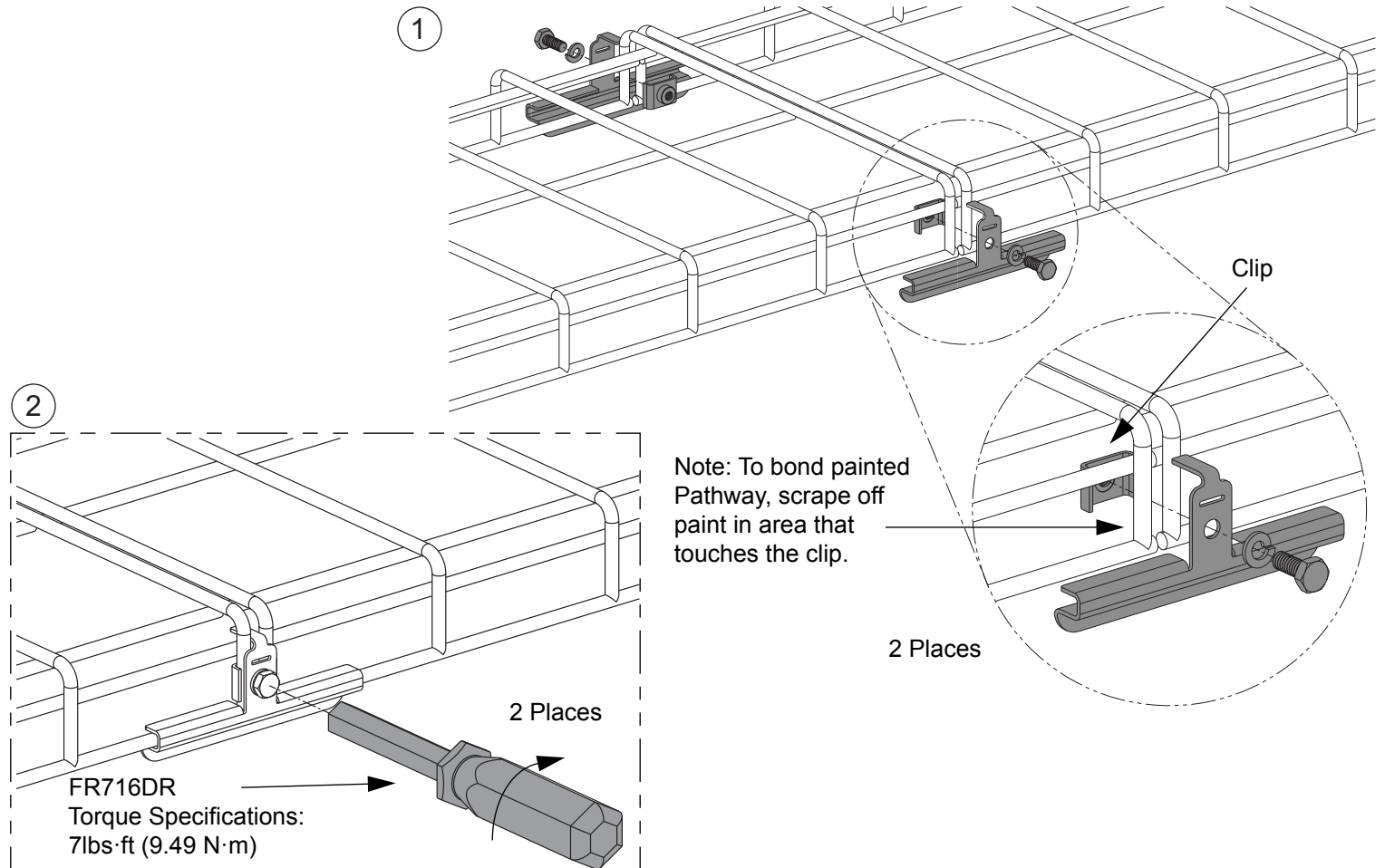
**WGESPL2430\*\***

Wyr-Grid Splice P/N	Wyr-Grid Pathway sizes
WGESPL**	WG8**10 WG12**10 WG18**10
WGESPL2430**	WG24**10 WG30**10

Note: When Pathway Line Wires are cut in the field, maximum overhang should not exceed more than .100".

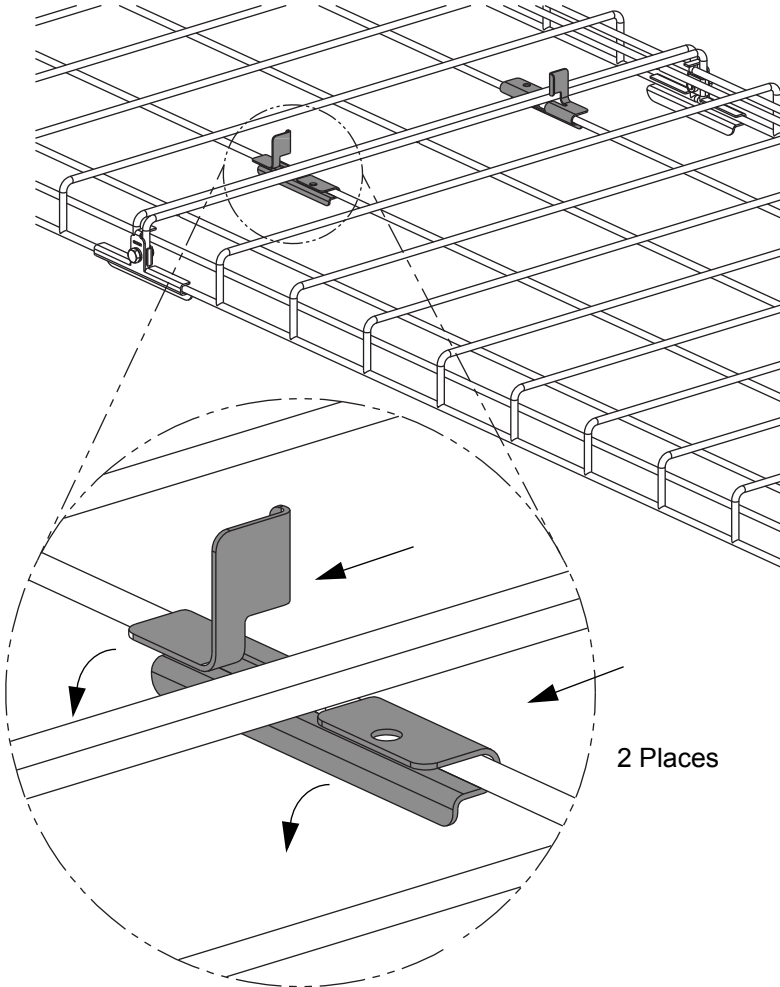


### WGESPL\*\* (Installation of Side splices on all Pathway width sizes)

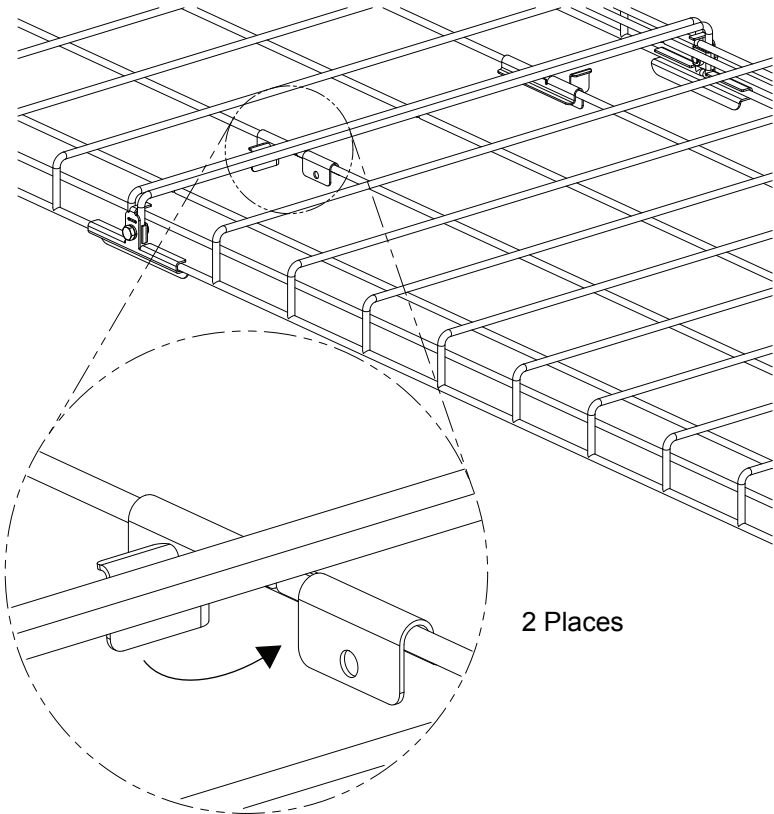


**WGESPL2430\*\* (Installation of Center splices on 24" and 30" Pathway sizes only.)**

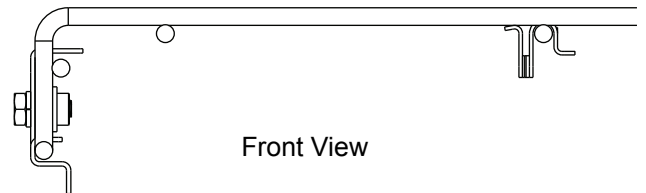
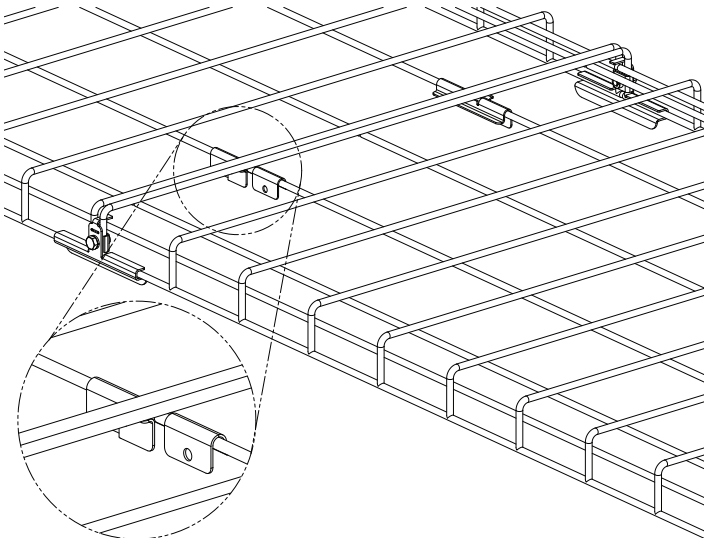
1



2



3



For Instructions in Local Languages  
and Technical Support:  
[www.panduit.com/resources/install\\_maintain.asp](http://www.panduit.com/resources/install_maintain.asp)

**PANDUIT**  
[www.panduit.com](http://www.panduit.com)

E-mail:  
[techsupport@panduit.com](mailto:techsupport@panduit.com)  
Phone:  
866-405-6654