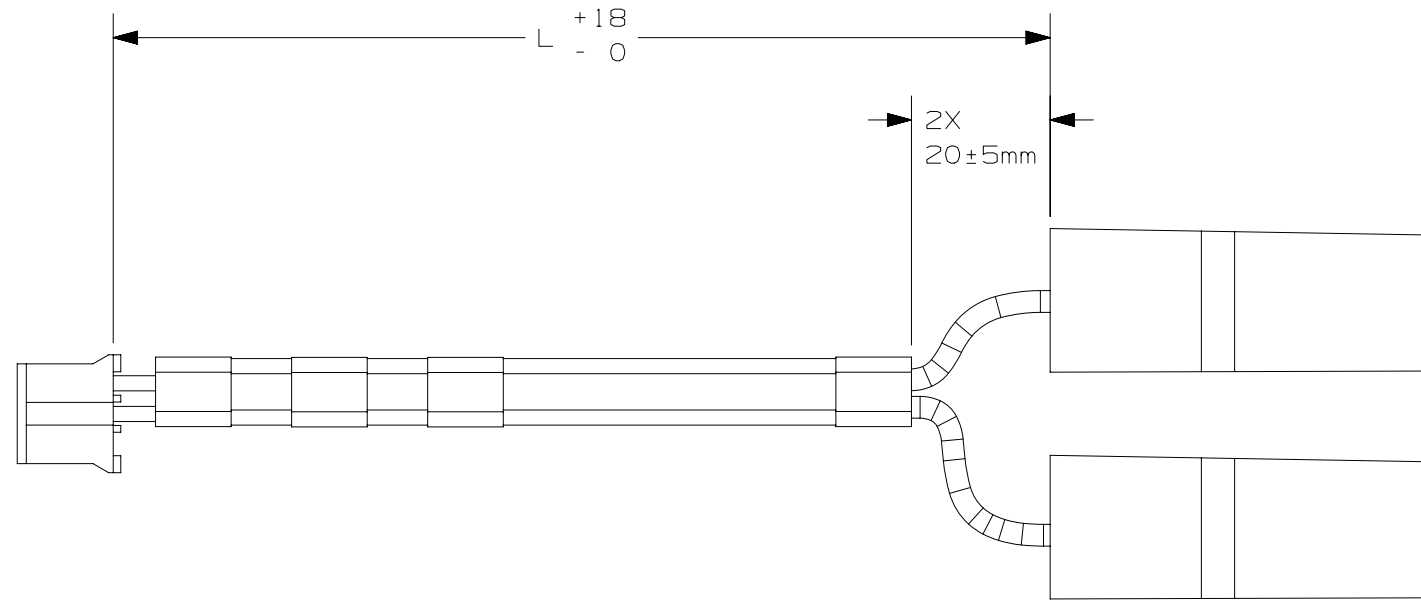


NOTES:

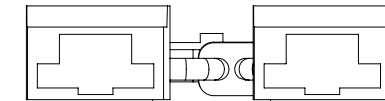
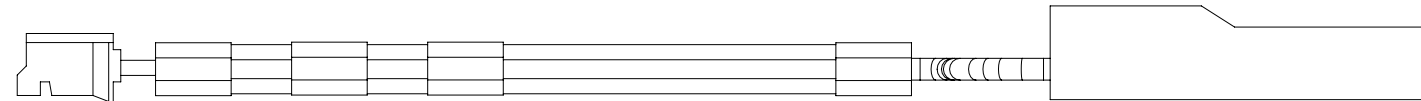
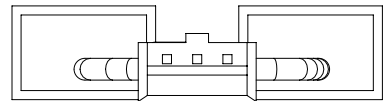
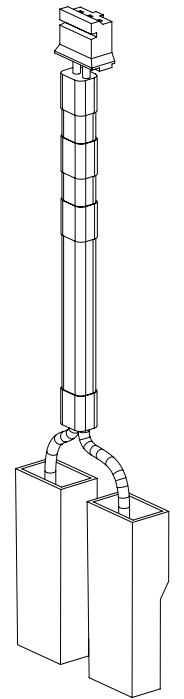
1. IDENTIFICATION: IDM DOOR STATUS HARNESS

PART NO.
ZC701*

- 2. ALL DIMENSIONS ARE METRIC.
- 3. RoHS COMPLIANT.
- 4. VISIT OUR ON-LINE CATALOG AT WWW.PANDUIT.COM FOR A CURRENT LIST OF PRODUCTS APPLICABLE FOR USE WITH THIS PART.
- 5. DOOR SENSOR & INTELLIGENT DOOR MODULE NOT INCLUDED.



PART NUMBER	LENGTH "L"
ZC701A	910mm
ZC701B	1085mm
ZC701C	830mm
ZC701D	460mm



REV	DATE	BY	CHK	APR	DESCRIPTION	ECN
02A	8-7-15	MRWA	RPO		C. UPDATED CAD MODEL	14V107LB_DC
01A	3-23-15	MRWA	CTN		B. REMOVED "R" FROM PART NUMBERS ZC701A, ZC701B A. ADDED PART NUMBERS ZC701C & ZC701D	14V107LB_DC
00A	2-5-15	MRWA	CTN		RELEASED TO PRODUCTION	14V107LB_DC

TITLE		IDM DOOR STATUS HARNESS	
ITEM REVISION NAME		CUSTOMER DRAWING	
DATASET FILE NAME		14V107LB/02	PANDUIT
		14V107LB_DC/02A	
UNLESS OTHERWISE SPECIFIED, DIMENSIONAL TOLERANCES ARE: IN [mm]		MATERIAL:	
.x ± .1 [2.54]	.xxx ± .005 [.127]	N/A	
.xx ± .01 [.25]	ANGLES ± 5 °	DRAWING NUMBER:	
THIRD ANGLE PROJECTION		14V107LB_DC	
DRAWN BY	DATE	CHK	SCALE
MRWA	2-5-15	CTN	NONE
SHT 1 OF 1		SIZE	
		B	