

specifications

The SmartZone™ Intelligent Door Module (IDM) with active electronics is a door mounted device that allows all sensors and door access control cabling within a data center cabinet to be aggregated into a single cable. The SmartZone™ IDM collects data from the connected sensors and door access controls and routes it back to the SmartZone™ Gateway EPA064 or SmartZone™ Gateway EPA126 to display baseline operational data through a web interface or via SmartZone™ Software Platforms. This solution greatly simplifies installation and eases cable management issues and maintenance, allowing the cabinet door to be removed swiftly by disconnecting a single cable, leaving the other cables undisturbed. One SmartZone™ IDM accommodates all sensors and door control configurations.



The SmartZone™ IDM is a component of the SmartZone™ Cabinet Solution – a ready to deploy cabinet that is designed specifically to work with SmartZone™ Power Solutions to provide access control, power and environmental monitoring capabilities.

key features and benefits

Simplified installation	All sensors and door access control cabling is consolidated into a single cable that connects each cabinet door to the SmartZone™ Gateway EPA064 or SmartZone™ Gateway EPA126. Point to point, shorter cables enable easy cable management, rapid installation and reduced costs.
Single cable connection to gateway	A single cable from the IDM to the gateway enables easy disconnection for door removal without disturbing door mounted sensors and cabling.
Gateway-enabled monitoring	The SmartZone™ Gateway EPA064 and EPA126 works in conjunction with the IDM to collect data captured from the connected sensors and door access controls and displays the operational status through a web interface or via SmartZone™ Software Platforms.
SmartZone™ Software integration	Captures actionable power and environmental data that can be utilized by SmartZone™ Software to enable data center operational and energy efficiencies, capacity management, and resilience.

supported door sensors

3	Temperature Sensors	1	HID Card Reader/Prox Card Reader
1	Door Open/Close Sensor	1	Keypad
1	Electronic Lock	1	LCD Module
1	Electronic Lock Status Open/Close	1	General Purpose Sensor
1	Handle Status Open/Close	1	Illuminated Cabinet Signage

applications

As a component of the overall SmartZone™ Cabinet Solution, the SmartZone™ IDM is proving to be particularly successful in data center environments within healthcare and financial institutions, as well as in co-locations and remote sites where cabinet security is paramount.

SmartZone™ Temperature Sensors monitor environmental conditions in and around a rack or cabinet. The data captured is consolidated by the connected gateways and utilized by SmartZone™ Software to proactively identify rising temperatures or other issues that may negatively impact business resilience. Visibility of operating temperatures allows for cooling optimization resulting in reduced energy costs.

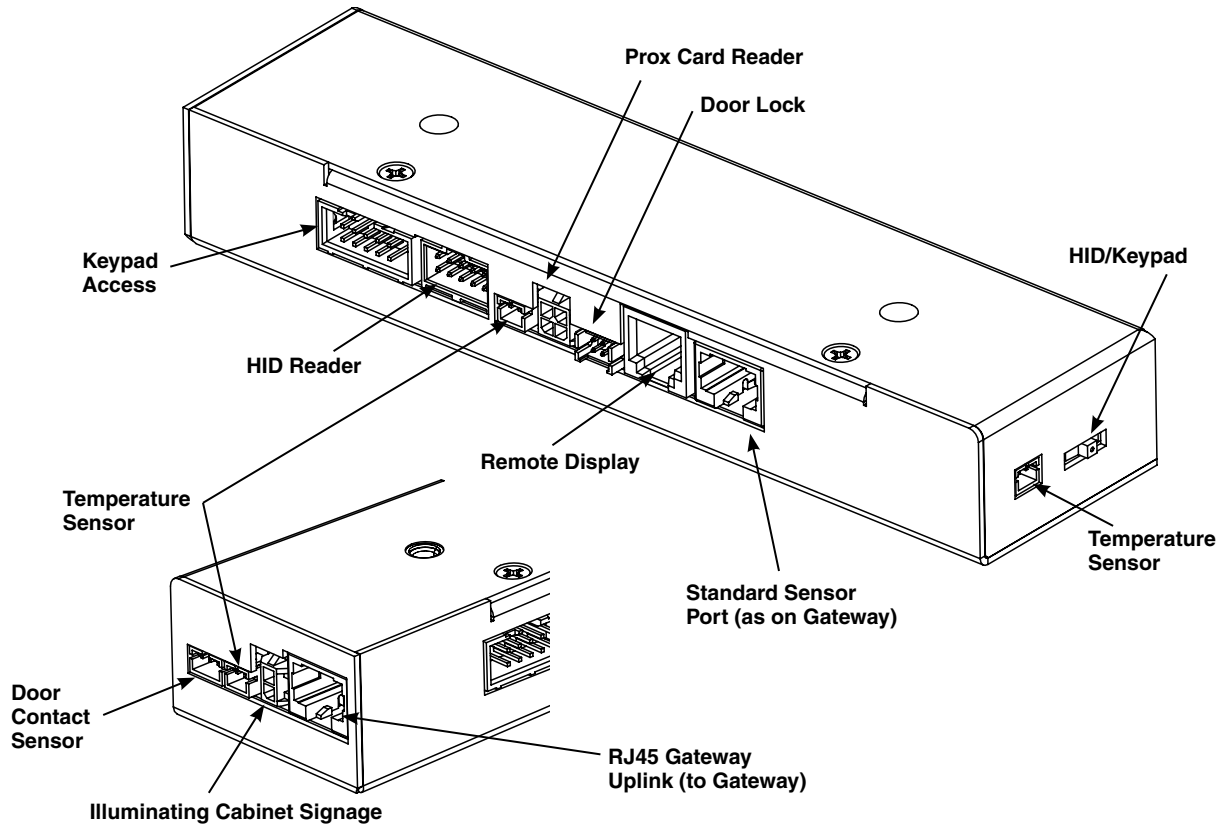
SmartZone™ Door Access Control Sensors transmit real-time door security information through the connected gateways and is utilized by SmartZone™ Software to provide notification of door or handle status, quickly identify and resolve issues and automate collection of real-time, accurate and actionable information. This data provides an audit trail to determine access and establish accountability for potential regulatory compliance.

For convenience and ease of operations, monitoring, maintenance, power and environmental data readings are displayed locally on the cabinet door via the LCD module.

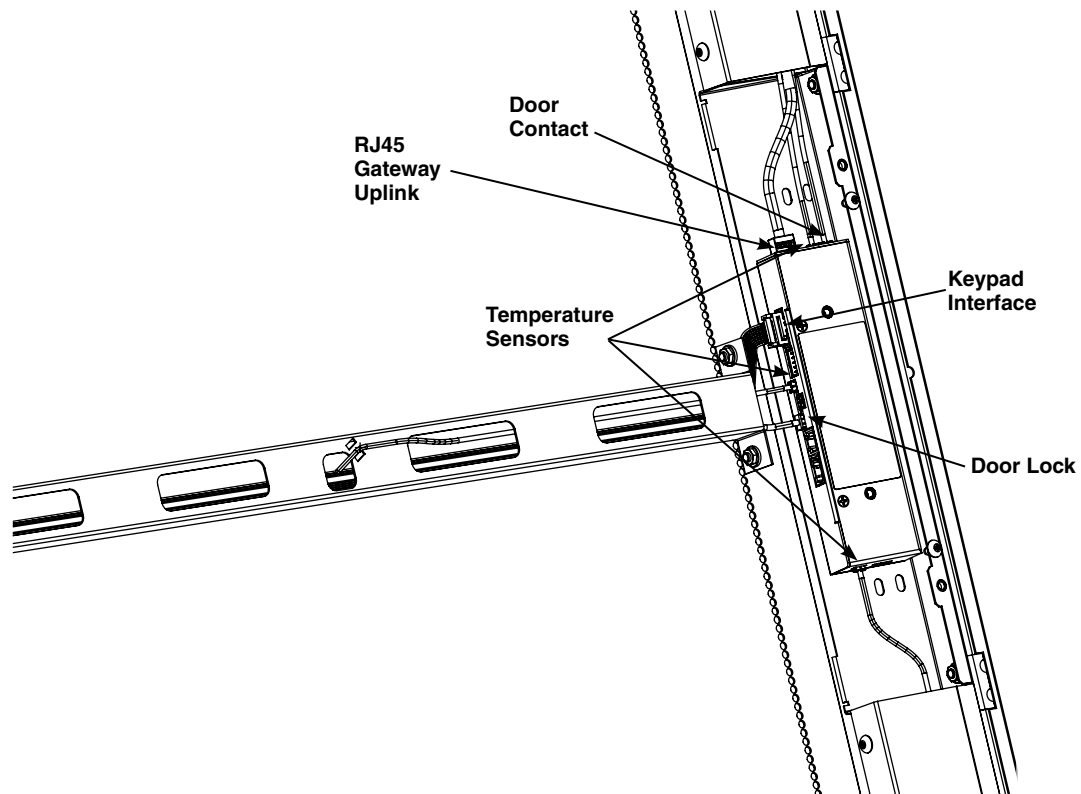
SmartZone™ Intelligent Door Module (IDM)s

solution components

IDM showing all of its various connector ports and respective functionality.



Typical configuration in which three temperature sensors are deployed along with a door lock, keypad interface, door contact and RJ45 gateway uplink.



SmartZone™ Intelligent Door Module (IDM)

operating parameters

Parameters

Electrical Connection to the Gateway	RJ45
Operating Voltage	12V DC
Current Consumption	1 Amp (max)
Operating Temperature	32°F to 140°F (0°C to 60°C)
Operating Humidity	15% to 85% RH non-condensing
Storage Temperature	-4°F to 158°F (-20°C to +70°C)
Storage Humidity	5% to 90% RH non-condensing
Dimensions	6.8 in. (68mm) x 1.7 in. (17mm) x 1 in. (10mm)
Weight	10.3 oz. (292g)
Safety Standards	UL60950, EN 60950, EN55022, EN55024, EN61000, FCC Part 15B Class A, ICES-003, CE, VCCI

ordering information

The SmartZone™ Intelligent Door Module (IDM) is supplied as one for each door that is to be controlled. Additional components can be ordered from the ordering guide below:

Part Number	Part Description
ZAIDM-01	Integrated Door Module
ZAEI-01-UNI	Gateway EPA126
ZC700[ABCD]x-01	Temperature Sensor Cord (IDM) (A,B,C,D)
ZETHL-10 or ZETHL-15	Humidity Sensor
ZKHAU-01	Remote Access Door Control
ZC703[AB]x-01	Swing Handle Lock Cable (IDM) (A,B)
DHSCSH-06/N	Remote Access Door Control w/Integrated HID reader
ZC702[AB]x-01	Swing Handle HID Cable (IDM) (A,B)
ZEKPKIT-01/N	Key Pad
ZEDL05-01	Door Contact Switch
ZC701[AB]x-01	IDM Contact Cable (A,B)
ZECRDRKIT-01	HID Card Reader

WORLDWIDE SUBSIDIARIES AND SALES OFFICES

PANDUIT CANADA
Markham, Ontario
cs-cdn@panduit.com
Phone: 800.777.3300

PANDUIT EUROPE LTD.
London, UK
cs-emea@panduit.com
Phone: 44.20.8601.7200

PANDUIT SINGAPORE PTE. LTD.
Republic of Singapore
cs-ap@panduit.com
Phone: 65.6305.7575

PANDUIT JAPAN
Tokyo, Japan
cs-japan@panduit.com
Phone: 81.3.6863.6000

PANDUIT LATIN AMERICA
Guadalajara, Mexico
cs-la@panduit.com
Phone: 52.33.3777.6000

PANDUIT AUSTRALIA PTY. LTD.
Victoria, Australia
cs-aus@panduit.com
Phone: 61.3.9794.9020

For a copy of Panduit product warranties, log on to www.panduit.com/warranty

For more information

Visit us at www.panduit.com

Contact Customer Service by email: cs@panduit.com
or by phone: 800.777.3300



©2016 Panduit Corp.
ALL RIGHTS RESERVED.
PVSP123--WW-ENG
4/2016