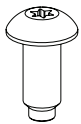


Tool List

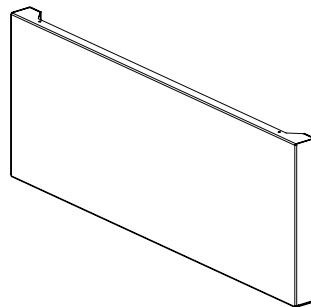


T25 Torx driver

Components Included



M5x12mm SCREW
Qty: 08

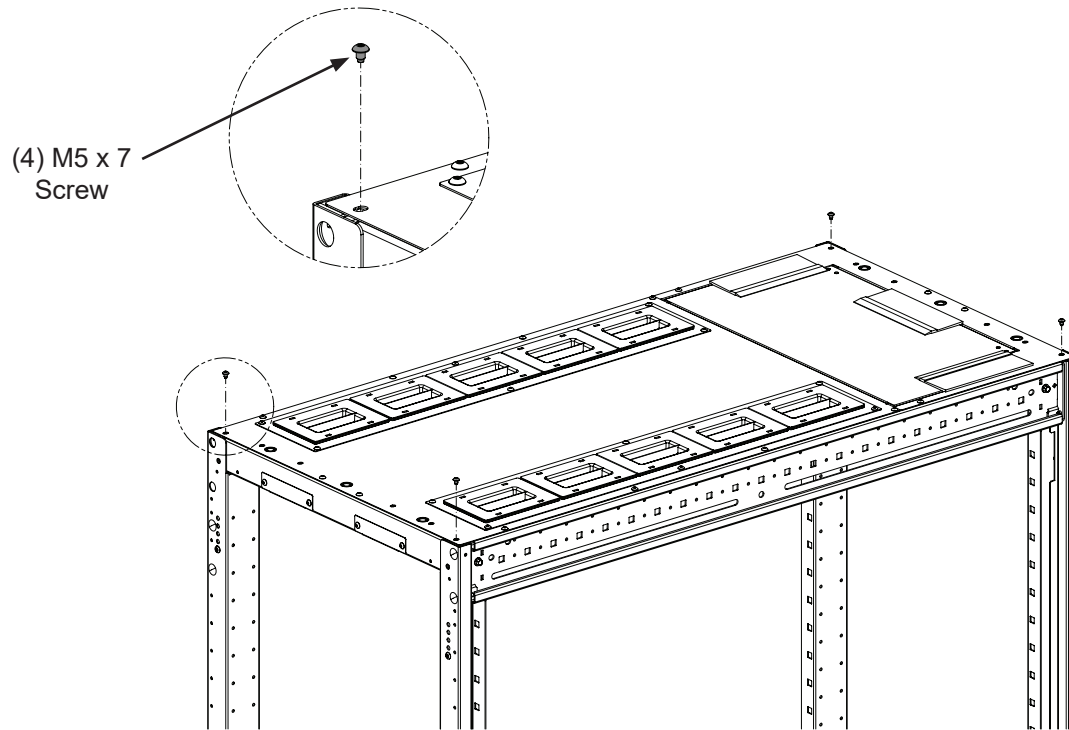


Front and Rear Fascia
Qty: 02

For Technical Support: www.panduit.com

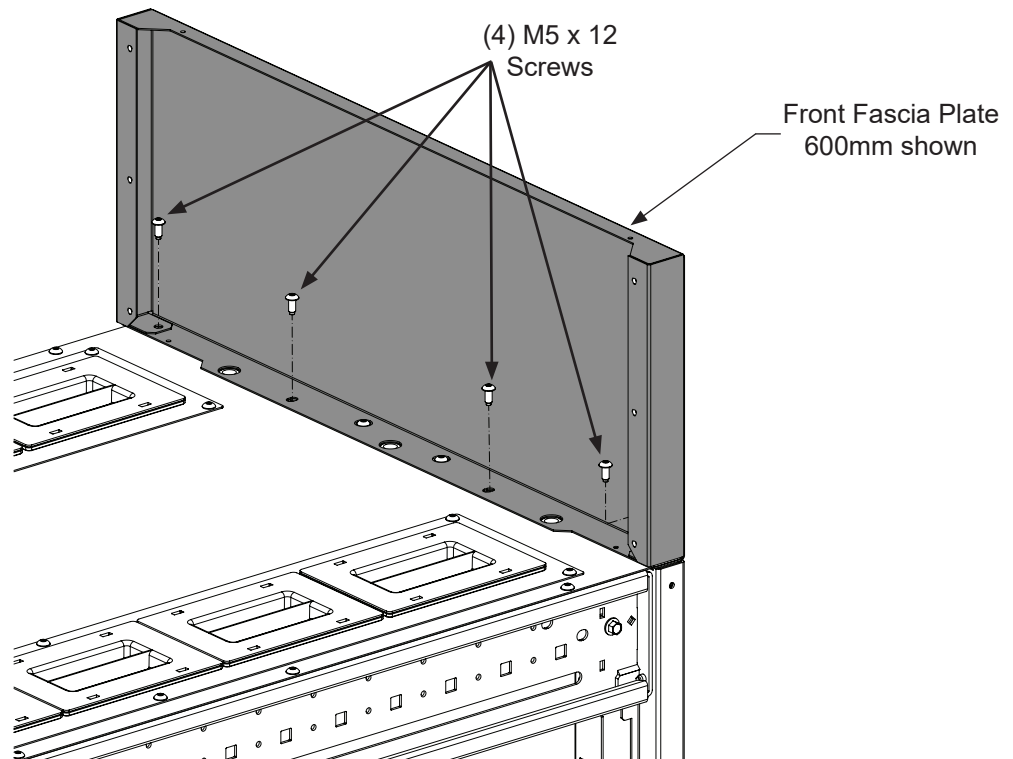
Remove existing screws from Top Cap

- Remove (4) M5 x 7 Screws from corners of Top Cap.



Install Front and Rear Fascia Plate

- Secure Front Fascia Plate to cabinet using (4) M5 x 12 screws provided with kit
- Repeat step on opposite side for rear fascia plate



For Instructions in Local Languages
and Technical Support:

www.panduit.com

PANDUIT
www.panduit.com

E-mail:
techsupport@panduit.com

Phone:
866-405-6654