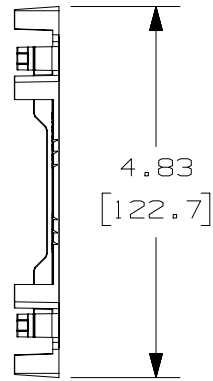
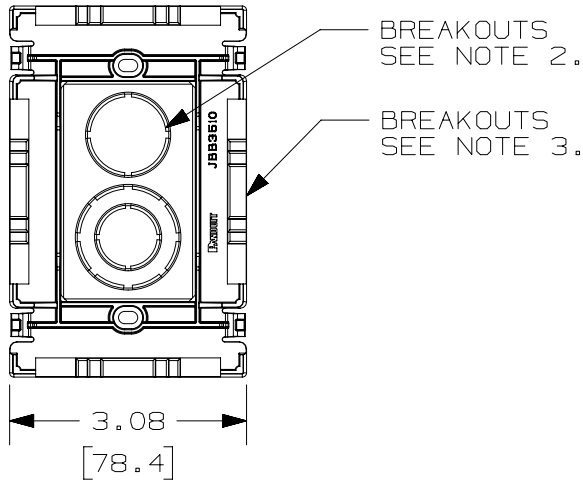
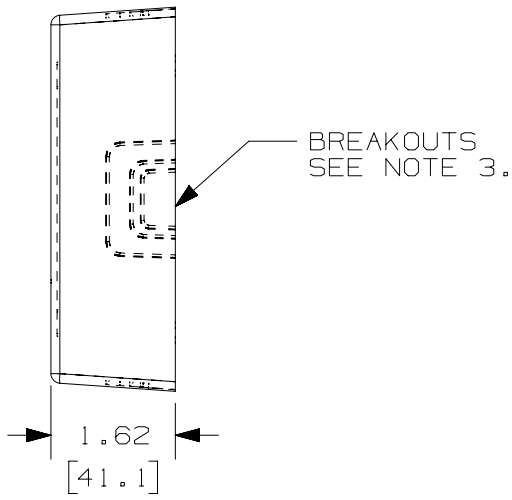
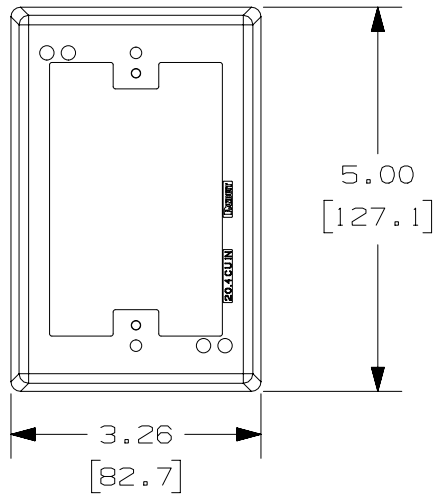


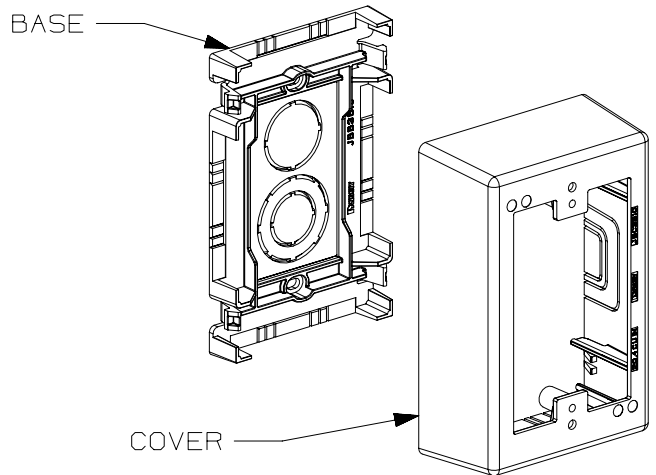
THIS COPY IS PROVIDED ON A RESTRICTED BASIS AND IS NOT TO BE USED IN ANY WAY DETRIMENTAL TO THE INTERESTS OF PANDUIT CORP.



PANDUIT P/N	WEIGHT	VOLUME in <sup>3</sup> /cm <sup>3</sup>
JBX3510	0.21 lb/PC. (96.6g/PC.)	19.9 [326]

**NOTES:**

1. SEE WWW.PANDUIT.COM FOR ADDITIONAL PART SUFFIXES TO INDICATE COLOR AND OR PACKAGE QUANTITY.
2. BREAKOUTS TO ACCOMMODATE CONDUIT SIZES OF 1/2", 3/4", AND 1" DIAMETERS.
3. BREAKOUTS ARE PROVIDED FOR PD, LD, LDPH, AND T-45 RACEWAYS.
4. COVER IS EXTENDED OUT AND DOWN AROUND SIDES OF BASE WHEN ASSEMBLED.
5. DIMENSIONS IN PARENTHESIS ARE METRIC.



PART NUMBER		SEE TABLE		
TITLE				
1 GANG LOW VOLTAGE JUNCTION BOX				
CUSTOMER DRAWING				
ITEM REVISION NAME		D37031AD/05		
DATASET FILE NAME		D37031AD_DC_JBX3510/05B		
MATERIAL		ABS		
DRAWN BY		DATE	CHK	SCALE
MSO		4-17-00	JAWA	NONE
DRAWING NUMBER		37031-05		
SHEET 1 OF 1		A		

A-SIZE CUSTOMER

REV	DATE	BY	CHK	APR	DESCRIPTION	ECN
05B	7-8-24	BJN	BSN	VALJ	UPDATED	37031-05
05A	04-18-23	BJN	BSN	TAM	UPDATED	M09000TA