

PANDUIT® NET-ACCESS N-Type Network Cabinets

(Caster Kit - NCSTR4)

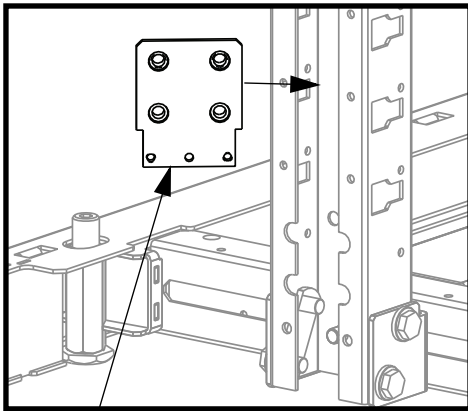
INSTRUCTIONS CM607A

© Panduit Corp. 2012-13

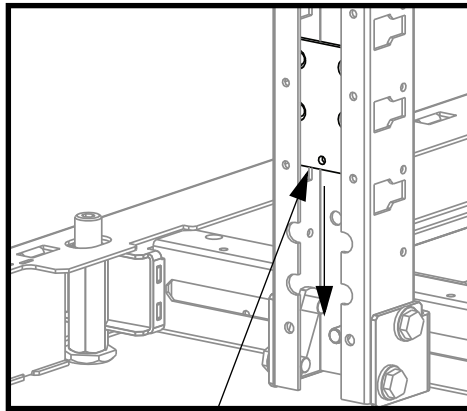
Caster Kit Installation (NCSTR4)

- Install [4] Caster Mounting Plates into posts of cabinet (insert bracket into post in an angled position from above mounting location, rotate bracket, and align bracket with mounting holes)
- Install [2] M5 screws into bottom holes of Caster Mounting Plate through cabinet post (as shown below)
- Secure [4] Caster Assemblies to Caster Mounting Plates

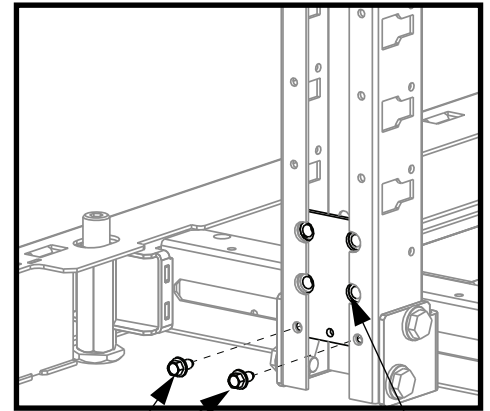
NOTE: Ensure that fixed casters and swivel casters are paired together at front and rear of cabinet



Caster Mounting Plate



Caster Mounting Plate

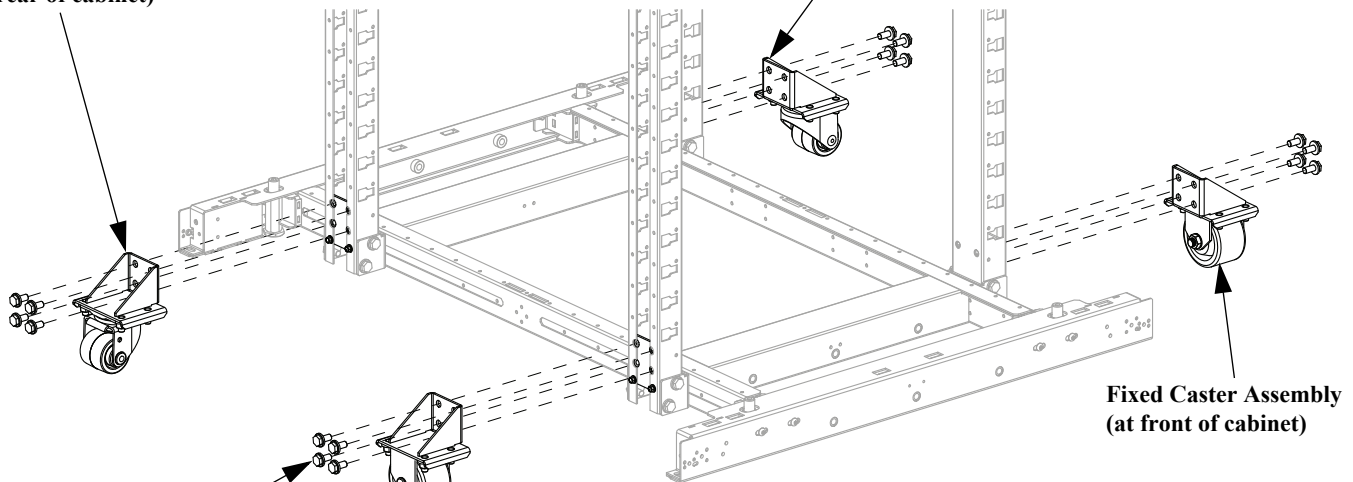


[2] M5 Hex Head Screw
(use 7mm socket wrench)

Caster Mounting Plate

Swivel Caster Assembly
(at rear of cabinet)

Swivel Caster Assembly
(at rear of cabinet)



[4] M8 Hex Head Screw
(use 13mm socket wrench)

Fixed Caster Assembly
(at front of cabinet)