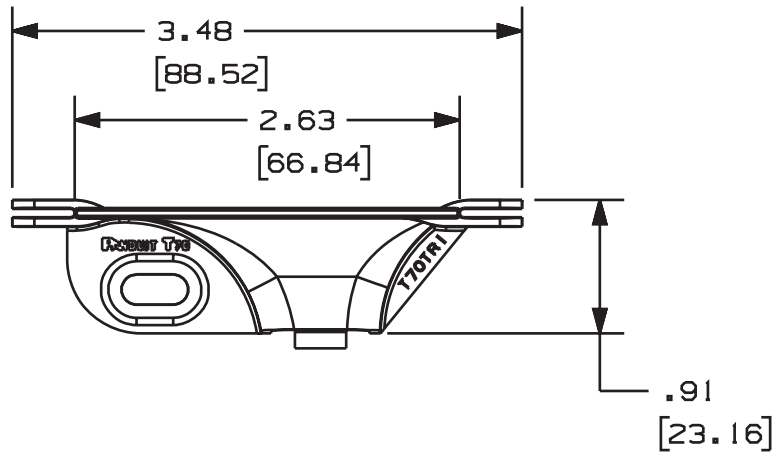


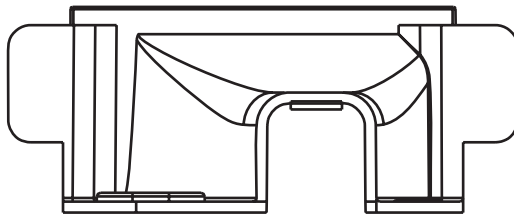
THIS COPY IS PROVIDED ON A RESTRICTED BASIS AND IS NOT TO BE USED IN ANY WAY DETRIMENTAL TO THE INTERESTS OF PANDUIT CORP.



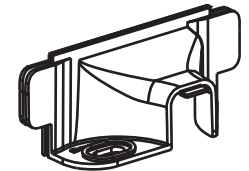
PANDUIT P/N	WEIGHT
T70TRI	.25 LB/10 PCS (115 g/10 PCS)

NOTES:

1. THIS PRODUCT IS INTENDED TO BE USED WITH PANDUIT T70 TRANSITION FITTINGS.
2. THE INSERT IS INTENDED TO SEPARATE AND/OR CROSS OVER POWER AND COMMUNICATIONS FOR PLACEMENT PURPOSES IN THE RACEWAY.
3. THIS PRODUCT IS FEATURED WITH A 1" RADIUS BEND.
4. THIS PART TRANSITIONS FROM T70 RACEWAY TO LD2PIO RACEWAY.
5. DIMENSIONS IN PARENTHESES ARE IN METRIC.



A



CAD FILENAME/LAYERS D36969BH_DS_T70TRI_01

PANDUIT CORP. TINLEY PARK, ILLINOIS
T70 TRANSITION FITTING
DIVIDED INSERT (T70TRI)
CUSTOMER DRAWING

UNLESS OTHERWISE SPECIFIED,
DIMENSIONAL TOLERANCES ARE:
(.X) ± (.XXX) ±
(.XX) ±.03(.8) ANGLES ±

UNLESS OTHERWISE SPECIFIED,
ALL DIMENSIONS ARE GIVEN
IN INCHES, THIRD ANGLE PROJECTION.

REV	DATE	BY	CHK	DESCRIPTION	ECN	CHK	CUST	SUP	DRAWN BY	DATE	MAT'L	SCALE	DWG NO.	DWG SIZE
I	7/22/99	RAB	RGRO	A. REVISED DRAWING TO INCLUDE LATEST PART GEOMOTRY	36969-03	HIW	HIW		DW	1-11-99	PVC	NONE	36969-03	A
R	1-11-99	DW	HIW	RELEASED TO PRODUCTION.	36969-03	HIW	HIW		HIW					