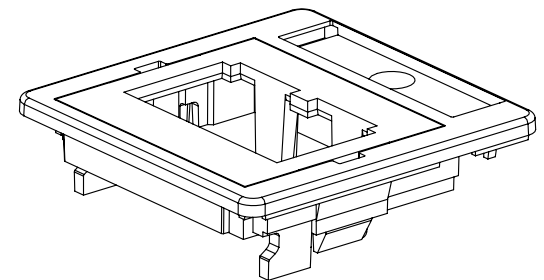
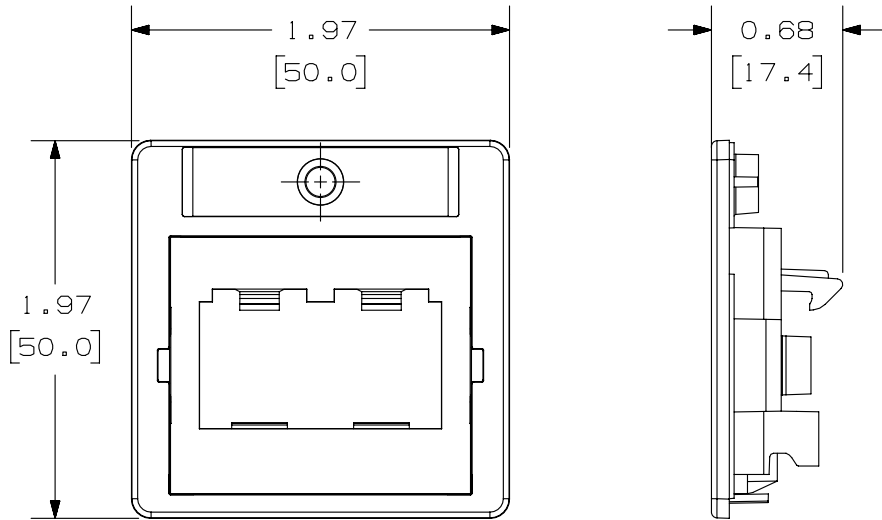


THIS COPY IS PROVIDED ON A RESTRICTED BASIS AND IS NOT TO BE USED IN ANY WAY DETRIMENTAL TO THE INTERESTS OF PANDUIT CORP.

PANDUIT P/N	WEIGHT
CFPAGF2**	.74 LB/10 PCS. (331.8 g/10 PCS.)

NOTES:

1. SEE CURRENT CATALOG FOR ADDITIONAL PART NUMBER SUFFIXES TO INDICATE COLOR AND OR PACKAGE QUANTITY.
2. SEE CATALOG FOR COMPLETE LIST OF PARTS APPLICABLE FOR USE WITH THIS PART.
3. DIMENSIONS IN [ ] ARE IN METRIC.
4. KIT INCLUDES:
  - 1- METAL MOUNTING PLATE
  - 1- SCREW
  - 1- LABEL/COVER
  - 1- CHF2\*\* 1/2 INSERT
  - 1- CBAG\*\* ADAPTER



PART NUMBER		CFPAGF2**	
TITLE			
MINI-COM 2 POSITION GERMAN FACEPLATE ADAPTER		KIT	
CUSTOMER DRAWING			
ITEM REVISION NAME		M00764BH/00	
DATASET FILE NAME		M00764BH_DC/00B	
UNLESS OTHERWISE SPECIFIED, DIMENSIONAL TOLERANCES ARE: IN [ mm ]		MATERIAL:	
.x ± .xx ± .03 [ .8 ]		INSERT: ABS ADAPTER: ABS MOUNTING PLATE: C.R.S.	
.xxx ± .010 [ .3 ] ANGLES ±		DRAWING NUMBER:	
THIRD ANGLE PROJECTION		00764-10	
DRAWN BY	DATE	CHK	SCALE
JSP	12-27-00	PBD	NONE
REV	DATE	BY	CHK
1	3/28/14	JSP	REFR
R	12-27-00	JSP	PBD
APR		PBD	
DESCRIPTION		ECN	
A. REVISED DRAWING TITLE BLOCK.		00764-10	
RELEASED TO PRODUCTION		00764-10	
SHT 1 OF 1		A	

D10100DA/14

2

1

2

1