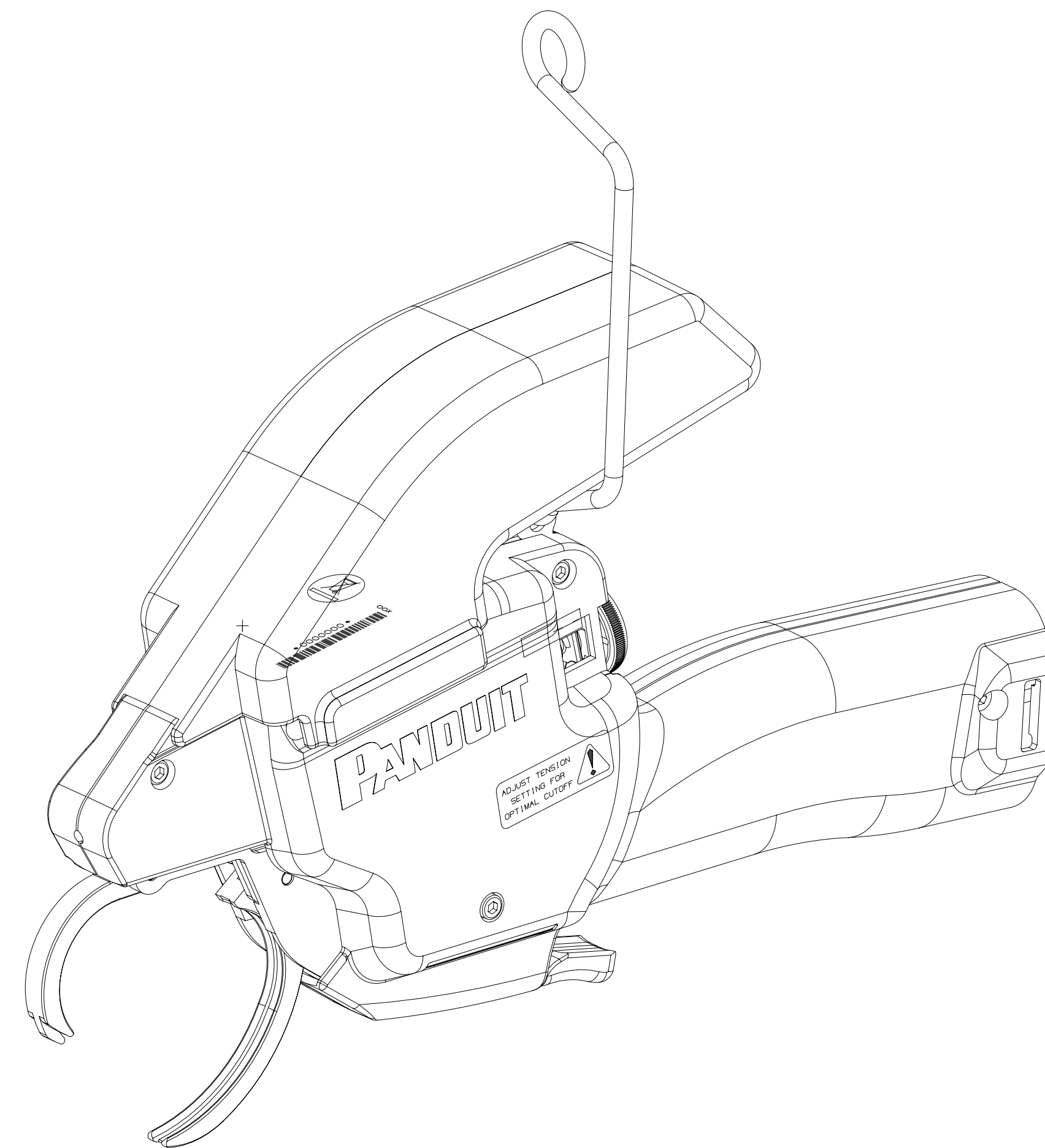
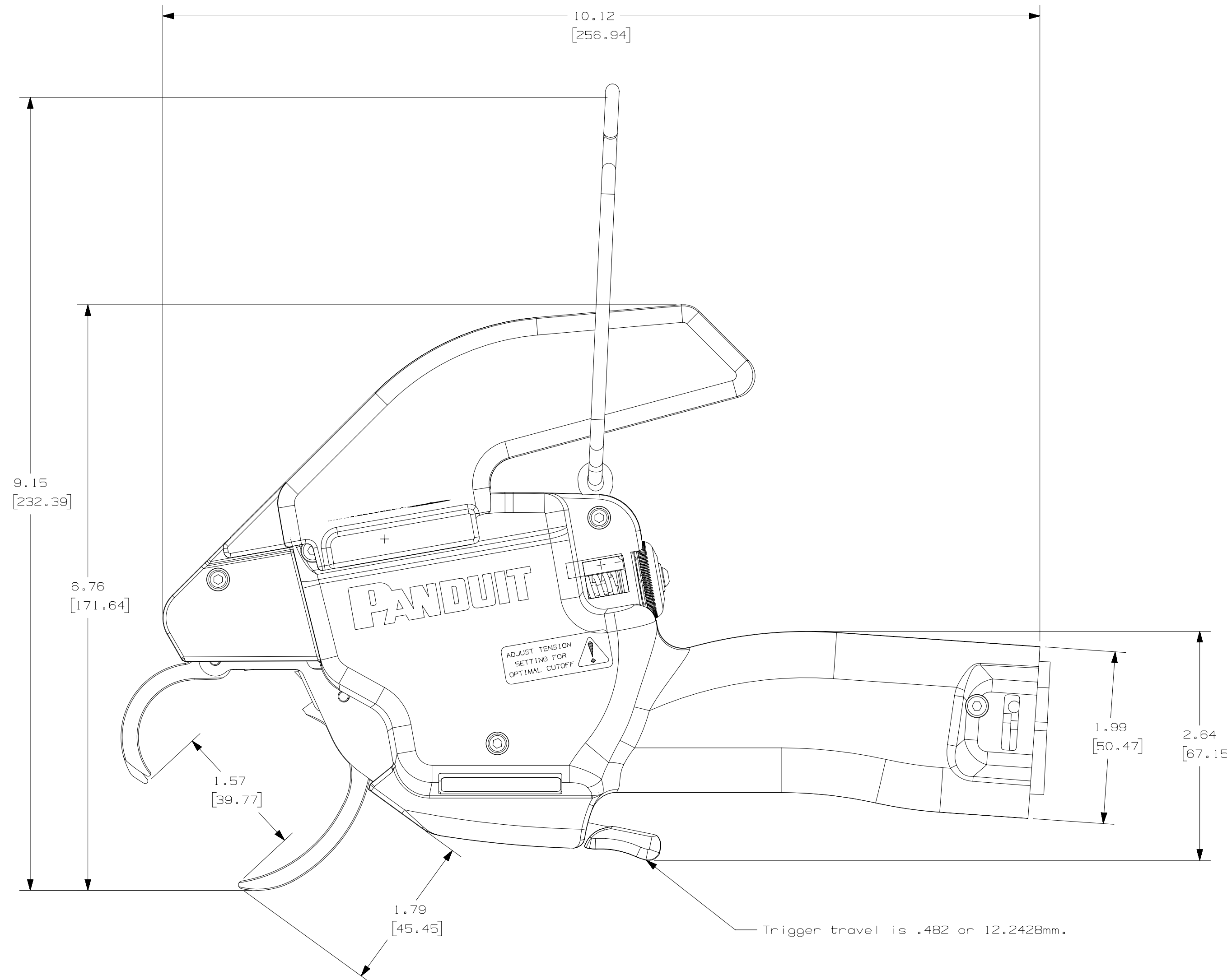
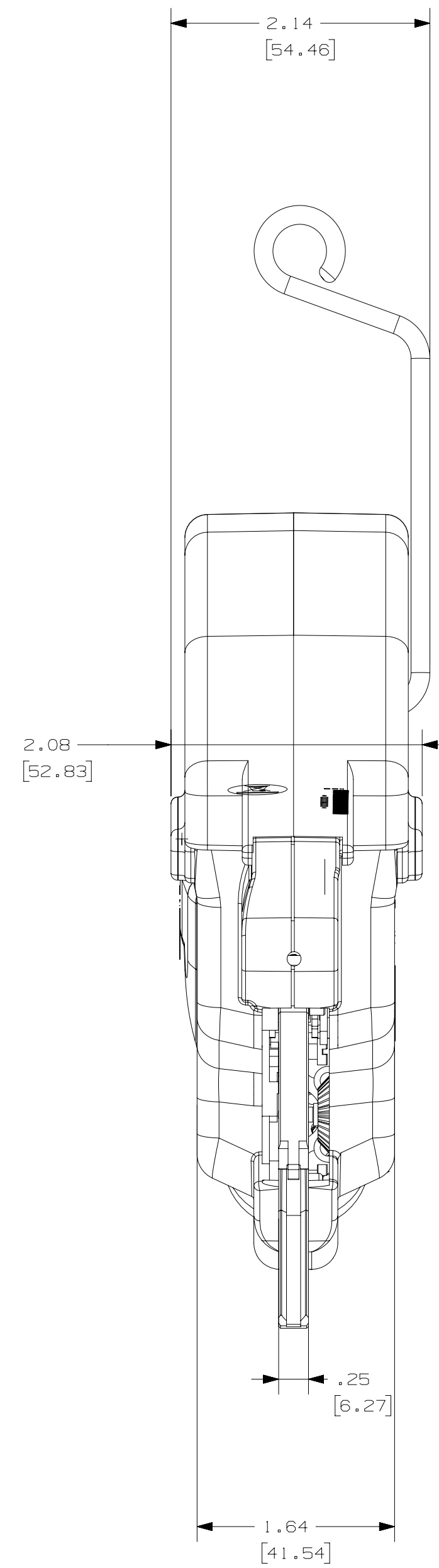
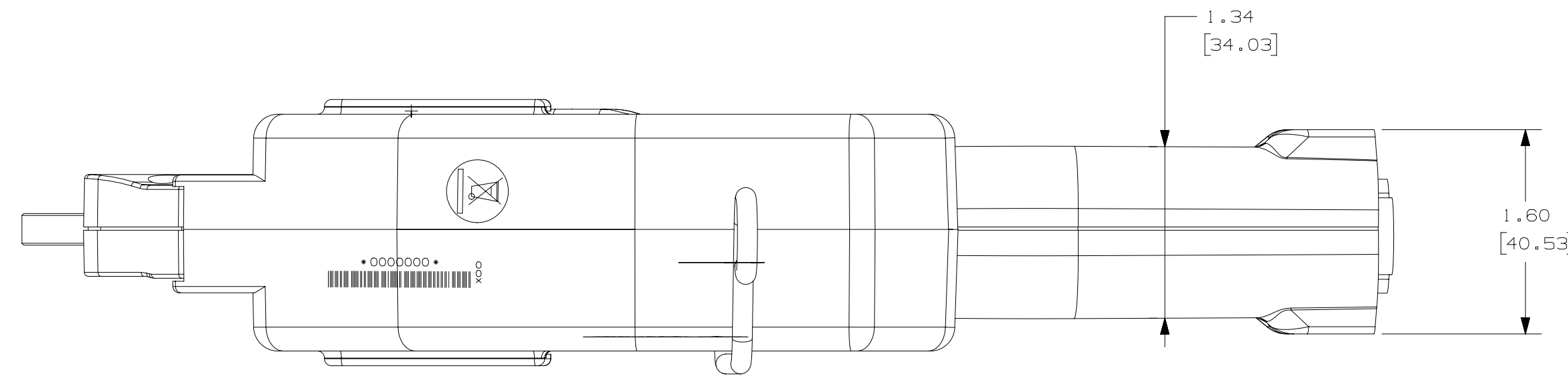


NOTES, UNLESS OTHERWISE SPECIFIED:

EST. WT. 1.69lbs. (768mg) Tool Only  
 1.82lbs. (827.8mg) Tool & Tip Collector

Maximum Bundle Diameter for PLT1.5M-XMR & BT1.5M-XMR Cable Ties is .82 inches (2.0828cm)

PAT1.5M4.0 Tools are for PLT Ties and PAT1.5M4.0-BT Tools are for BT Ties



| REV | DATE    | BY  | CHK | APR | DESCRIPTION | ECN   | SIZE |
|-----|---------|-----|-----|-----|-------------|-------|------|
| 00  | 4/11/16 | LAH | ALP | ALP | RELEASED    | 4757A |      |

|               |  |               |          |            |            |  |         |
|---------------|--|---------------|----------|------------|------------|--|---------|
| DRAWN BY: LAH |  | DATE: 4/11/16 | CHK: ALP | SCALE: 1:1 | SHT 1 OF 1 |  | SIZE: D |
|---------------|--|---------------|----------|------------|------------|--|---------|

|   |  |   |  |                            |  |
|---|--|---|--|----------------------------|--|
| ITEM REVISION NAME: R27942AA/00               |  | CONTROL DRAWING   |  | PANDUIT                    |  |
| DATASET FILE NAME: R27942AA_DS.WT27942D01/00A |  | UNLESS OTHERWISE SPECIFIED, DIMENSIONAL TOLERANCES ARE: (IN 1 mm) |  | N/A                        |  |
| .XX ± .01 ( ± .25 )                           |  | .XXX ± .005 ( ± .127 )  |  | DRAWING NUMBER: WT27942D01 |  |
| ANGLES ± 5°                                   |  | THIRD ANGLE PROJECTION  |  | DATE: 4/11/16              |  |