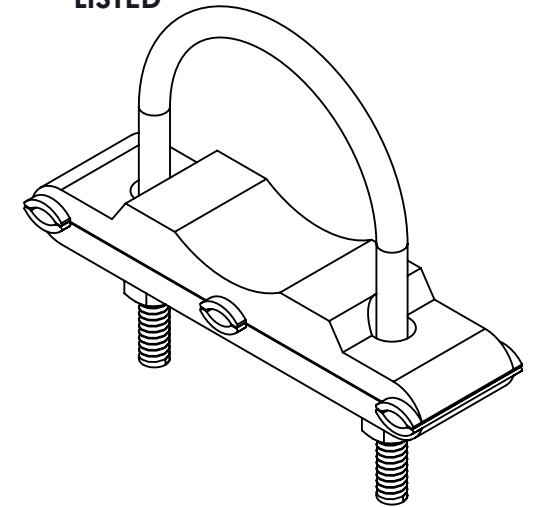
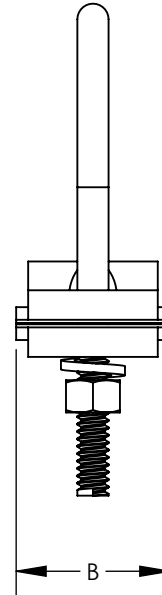
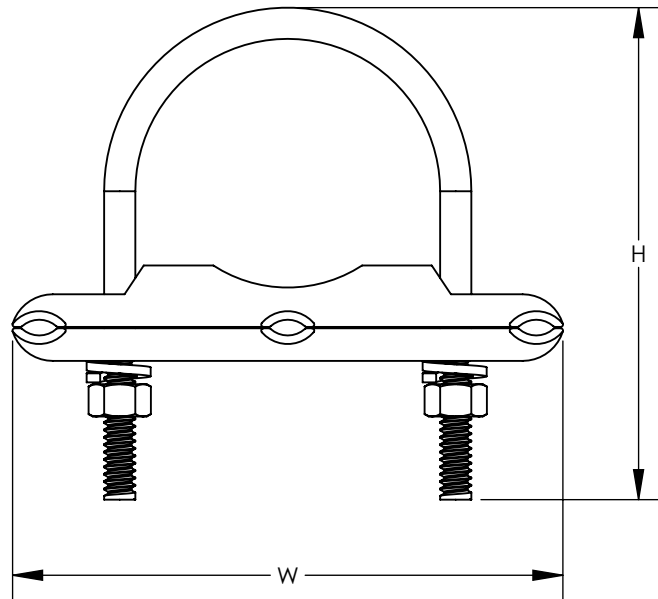


THIS COPY IS PROVIDED ON A RESTRICTED BASIS AND IS NOT TO BE USED IN ANY WAY DETRIMENTAL TO THE INTERESTS OF PANDUIT CORP.

PANDUIT PART NUMBER	PIPE SIZE-IPS	COPPER CONDUCTOR RANGE	DIMENSIONS - IN [mm]			BOLT DIA	HEX SIZE
			B	H	W		
GTW025-250-1	1/4"	4 AWG SOL - 250 kcmil	1.57 [39.9]	2.80 [71.1]	3.36 [85.3]	3/8" [9.5]	9/16" [14.3]
GTW038-250-1	3/8"	4 AWG SOL - 250 kcmil			3.54 [90.0]		
GTW050-250-1	1/2"	4 AWG SOL - 250 kcmil		3.58 [91.1]	3.70 [94.0]		
GTW100-250-1	1"	4 AWG SOL - 250 kcmil		4.10 [104.1]	4.10 [104.1]		
GTW125-250-1	1-1/4"	4 AWG SOL - 250 kcmil		4.07 [103.5]	4.55 [115.5]		
GTW150-250-1	1-1/2"	4 AWG SOL - 250 kcmil		4.29 [109.0]	4.76 [121.0]		
GTW200-250-1	2"	4 AWG SOL - 250 kcmil		4.54 [115.3]	5.24 [133.0]		
GTW250-250-1	2-1/2"	4 AWG SOL - 250 kcmil	5.08 [129.0]	5.75 [146.0]			

NOTES:

1. MATERIAL: BODY - SILICON BRONZE
HARDWARE - STAINLESS STEEL
2. THESE CONNECTORS ARE UL LISTED FOR GROUNDING AND BONDING, AND DIRECT BURIAL APPLICATIONS
3. TO BE USED WITH 3 CONDUCTORS OF EQUAL SIZE FOR GROUNDING TO PIPE.
4. PKG QTY: -1 = 1



REV	DATE	BY	CHK	APR	DESCRIPTION	ECN
01	8/19	JHNU	JHNU	RGB	REMOVED GTW075-250-1, ADDED GTW050-250-1	00182EER-DC
00	3/19	JHNU	JHNU	RGB	DRAWING RELEASED	045187

TITLE PIPE CLAMP - 3 WIRES TO PIPE, WIRES PARALLEL TO PIPE GTW SERIES CUSTOMER DRAWING	
ITEM REVISION NAME 00182EER/01	PANDUIT
DATASET FILE NAME 00182EER-DC/01.SLDDRW	
UNLESS OTHERWISE SPECIFIED, DIMENSIONAL TOLERANCES ARE: IN [mm] .X ± .XXX ± .XX ± .08 [2.0] ANGLES ±	
THIRD ANGLE PROJECTION	
DRAWN BY JHNU	DATE 3/19
CHK JHNU	SCALE N/A
DRAWING NUMBER 00182EER-DC	
SHEET 1 OF 1	
SIZE A	