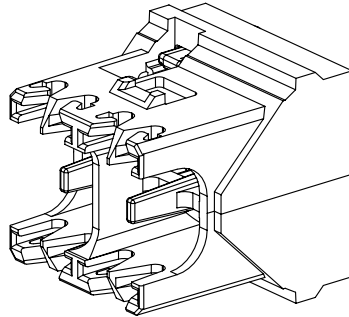
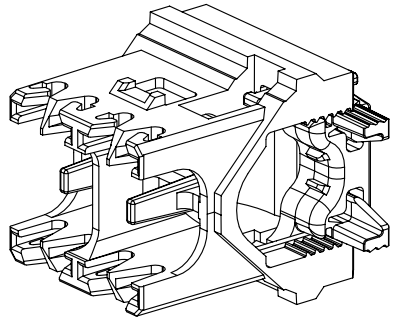


THIS COPY IS PROVIDED ON A RESTRICTED BASIS AND IS NOT TO BE USED IN ANY WAY DETRIMENTAL TO THE INTERESTS OF PANDUIT CORP.

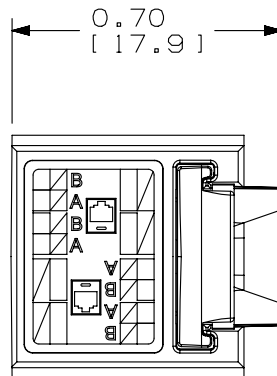
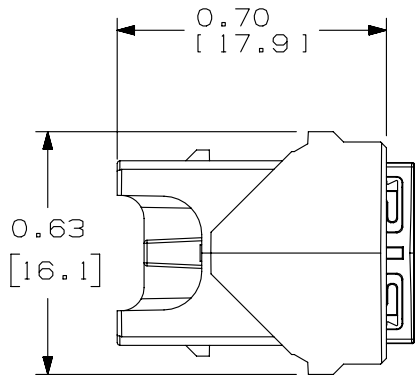
PANDUIT P/N	WEIGHT*
SEE TABLE 1	.45 LB/100 PCS (203 g/100 PCS)

\*WEIGHT IS APPROXIMATE



NOTES:

1. MINI-COM TX RIGHT ANGLE JACK MODULE WIRE CAP
2. TERMINATES ALL CJ\*\*TG\*\* UTP JACK MODULES.
3. WIRE CAP TERMINATES CABLE TO THE RIGHT OR TO THE LEFT.
4. TERMINATES 22-26 AWG SOLID OR STRANDED UTP CABLE.
5. MATERIAL: POLYCARBONATE
6. DIMENSIONS IN BRACKETS ARE METRIC.
7. SEE PN581 FOR INSTALLATION INSTRUCTIONS.



PART NUMBER	COLOR	PERFORMANCE CATEGORY
CJRCAPBU	BLUE	CATEGORY 6A
CJRCAPIW	INTERNATIONAL WHITE	CATEGORY 6
CJRCAPRD	RED	CATEGORY 5E

PART NUMBER	SEE TABLE 1	PRODUCT SPEC/PKG SPEC	N/A
I.I. NUMBER	N/A	WORK INSTRUCTION	N/A

TITLE	MINI-COM TX RIGHT ANGLE JACK MODULE WIRE CAP
	CUSTOMER DRAWING

ITEM REVISION NAME	11M257FI/00	<b>PANDUIT</b>
DATASET FILE NAME	11M257FJ_DC01874-161/00B	

UNLESS OTHERWISE SPECIFIED, DIMENSIONAL TOLERANCES ARE: IN [mm]	REVIEW DRAWING NUMBERS:
.x ± .1 [2.54]      .xxx ± .01 [.25] .xx ± .02 [.50]      ANGLES ± 5°	
THIRD ANGLE PROJECTION	DRAWING NUMBER: 01874-161

REV	DATE	BY	CHK	APR	DESCRIPTION	ECN
1	11-5-13	BJN	JAV	EJH	UPDATED	01874-161
R	8-6-13	BJN	JAV	EJH	RELEASED TO PRODUCTION	01874-161

DRAWN BY	DATE	CHK	SCALE	SHT 1 OF 1	SIZE
BJN	8-6-13	JAV	2:1		A

D10100DA/14