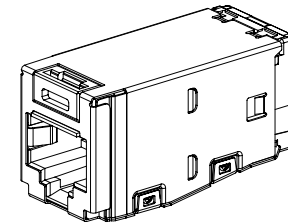
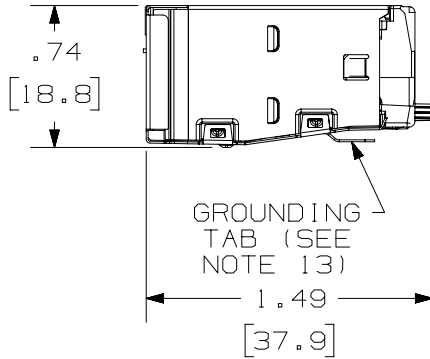
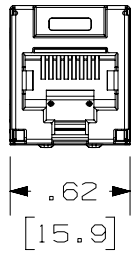
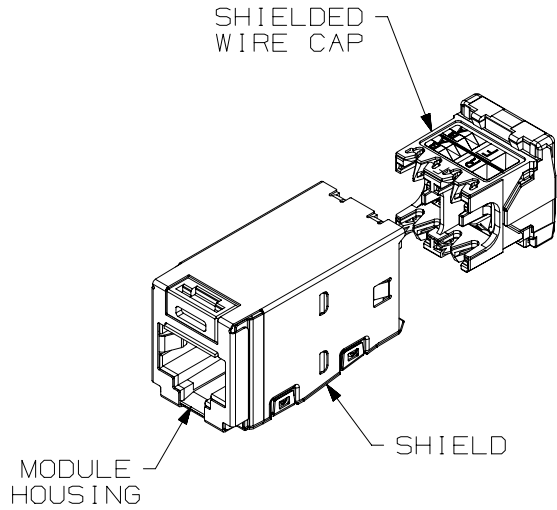


THIS COPY IS PROVIDED ON A RESTRICTED BASIS AND IS NOT TO BE USED IN ANY WAY DETRIMENTAL TO THE INTERESTS OF PANDUIT CORP.



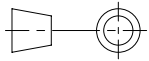
ACTUAL SIZE

NOTES:

- VISIT OUR ON-LINE CATALOG AT WWW.PANDUIT.COM FOR A LIST OF CURRENT PARTS APPLICABLE FOR USE WITH THIS PRODUCT.
- RED COLOR WIRE CAP ASSEMBLY DESIGNATES TIA CATEGORY 5E (ISO 11801 CLASS D) PERFORMANCE. WHITE COLOR WIRE CAP DESIGNATES TIA CATEGORY 6 (ISO 11801 CLASS E) PERFORMANCE. BLUE WIRE CAP DESIGNATES TIA CATEGORY 6A (ISO 11801 CLASS Ea) PERFORMANCE.
- COLOR OF JACK MODULE IS INDICATED BY \*\* IN THE PART NUMBER (EXAMPLE: CJS\*\*88TGBUY FOR BLUE JACK). SEE WWW.PANDUIT.COM FOR AVAILABLE COLOR CODES.
- PART NUMBERS OF AVAILABLE PACKAGE TYPES ARE SHOWN IN TABLE 1.
- TERMINATION TOOL TO BE USED IS EGJT-1. SOME PACKAGE TYPES INCLUDE A TERMINATION TOOL, SEE TABLE 1 FOR DETAILS.
- ALL TX5E/6/6A CATEGORY 5E/6/6A, 8 POSITION, 8 WIRE CONNECTOR MODULES ARE UNIVERSAL IN DESIGN. THEY ACCEPT ACCEPT SIX AND EIGHT POSITION MODULAR PLUGS WITHOUT DAMAGE.
- TERMINATES 22-26AWG SOLID OR STRANDED UTP CABLE.
- SEE INSTALLATION INSTRUCTION FOR PROPER TERMINATION METHOD.
- WIRE CAP LABEL WHICH IS PART OF THE WIRE CAP ASSEMBLY IS CODED FOR T568A AND T568B WIRING SCHEMES.
- PART INCLUDES:  
MODULE HOUSING: POLYCARBONATE W/ UL94V-0 FLAME RATING.  
MODULE SHIELD: TIN PLATED OVER PHOSPHORUS BRONZE  
WIRE CAP ASSEMBLY: DIE CAST ZINC AND POLYCARBONATE, UL94V-0 FLAME RATING.
- WEIGHT: 3.715 LBS/100 PCS (1685 g/100 PCS).
- DIMENSIONS IN ( ) ARE METRIC.
- 0.187" X 0.010" GROUNDING TAB PROVIDED AS OPTIONAL PATH FOR GROUNDING
- ALL MATERIALS AND COMPONENTS USED MEET THE LATEST RoHS REQUIREMENTS.

TABLE 1: PACKAGE TYPE AND TERMINATION TOOL

PART NUMBER	PACKAGED QUANTITY	TERMINATION TOOL: EGJT-1
CJS**88TG**Y	INDIVIDUAL PACKAGED, 50 PER CARTON	NOT INCLUDED
CJS**88TG**Y-24	BULK PACKAGED, 24 PER BAG	INCLUDED (1 PER BAG)

PART NUMBER		SEE TABLE 1	
TITLE		TX5e/6/6A SHIELDED CATEGORY 5e/6/6A JACK MODULE	
CUSTOMER DRAWING			
ITEM REVISION NAME		00075SAS/00	
DATASET FILE NAME		00075SAS_DC01/00A	
		THIRD ANGLE PROJECTION	
MATERIAL		SEE NOTE 10	
DRAWING NUMBER		00075SAS-01	
DRAWN BY	DATE	CHK	SCALE
BJN	11-13-19	ROJC	FULL
SHEET 1 OF 1		SIZE A	

REV	DATE	BY	CHK	APR	DESCRIPTION	ECN
00A	11-13-19	BJN	ROJC	TMBA	RELEASED TO PRODUCTION	M09000KV

A-SIZE CUSTOMER