

1. STANDARD:

USE WITH UPS CAPACITY: BATTERY CARTRIDGE SET FOR 1KVA 24VDC UPS EBP
 BATTERY TYPE: VALVE REGULATED LEAD ACID-NON SPILLABLE
 NOMINAL INPUT/OUTPUT VOLTAGE: 24VDC
 BREAKER TYPE: N/A
 WEIGHT OF Pb(LEAD): 3.4KG
 WEIGHT OF H2SO4(SULFURIC ACID): 0.8KG

2. ADDITIONAL:
NONE

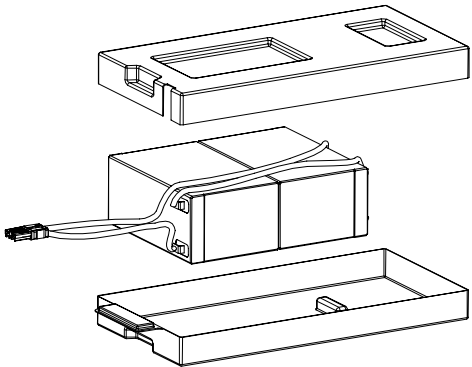
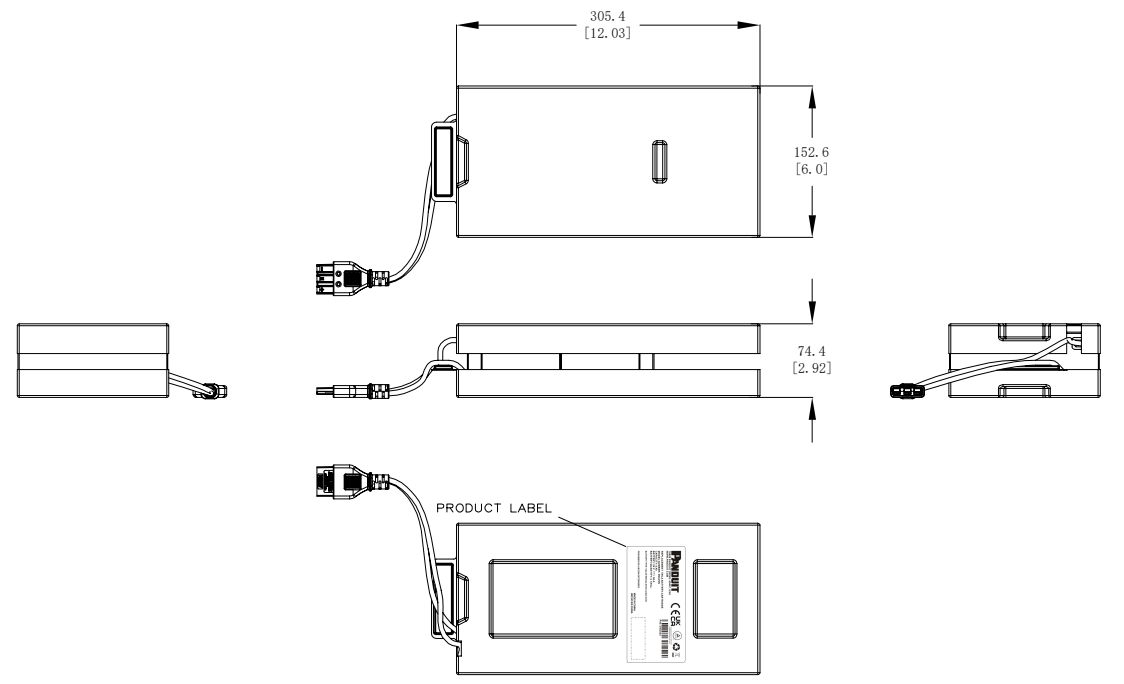
3. ACCESSORY COMPONENTS:
NONE

NOTES:

- PRIMARY DIMENSIONS ARE IN MILLIMETERS. SECONDARY DIMENSIONS ARE IN INCHES
- INSTALLATION SHALL COMPLY WITH ALL APPLICABLE NATIONAL, STATE, AND LOCAL CODES.
- VISIT OUR ON-LINE CATALOG AT WWW.PANDUIT.COM FOR A CURRENT LIST OF PRODUCTS APPLICABLE FOR USE WITH THIS PART
- ALL PURCHASED ITEMS CONFORM TO C2-0834 PANDUIT SPECIFICATION FOR CHEMICAL SUBSTANCES TO BE CONTROLLED IN PRODUCT AND PACKAGING

IDENTIFICATION:

PART NUMBER	DESCRIPTION	SHIPPING WEIGHT (KG)
UVDO24	24V REPLACEMENT VRLA BATTERY CARTRIDGE SET FOR 1KVA 24VDC UPS EBP (2X 24V BATTERY CARTRIDGES)	12



REV	DATE	BY	CHK	APR	DESCRIPTION	ECN
00A	03/10/2022	D.A.	ZRZ	GLM/DJB	RELEASE TO PRODUCTION	UVDO24
2						

WE ASK THAT YOU CHECK WITH THE CLIENT BEFORE ANY CHANGES TO THE DRAWING.		REV	
THE JOB WILL NOT PROCEED UNTIL THE CLIENT HAS RECEIVED THE FINAL DELIVERY.		DATE	
TITLE		REV	
SMARTZONE UPS VRLA BATTERY CARTRIDGE SET UVDO24		DATE	
CUSTOMER DRAWING			
REV	DATE	BY	CHK
00A	03/10/2022	D.A.	ZRZ
UNLESS OTHERWISE SPECIFIED, DIMENSIONAL TOLERANCES ARE IN (MM)		REV	
PANDUIT		DATE	
N/A			
THIRD ANGLE PROJECTION		REV	
UVDO24-DC		DATE	
SHT 1 OF 2			

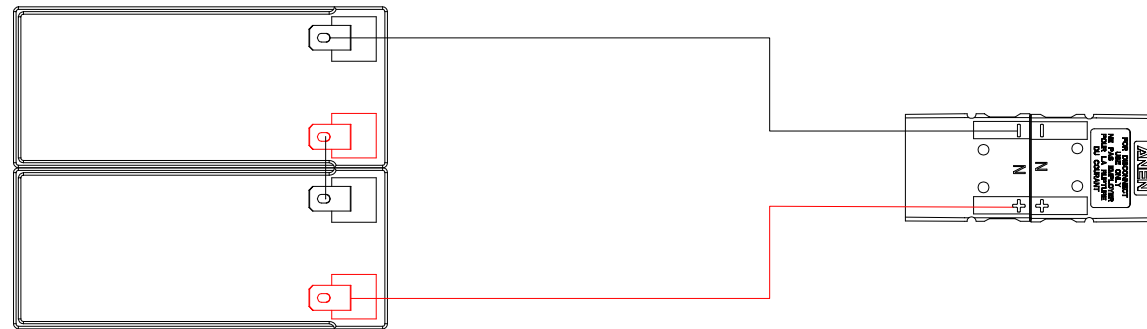
PANDUIT
 18900 PANDUIT DRIVE, 60487, USA
 WWW.PANDUIT.COM

REPLACEMENT VRLA BATTERY CARTRIDGE
 MODEL NUMBER: 0N0V0N
 CAPACITY: 9 Ah
 BATTERY: 24 V --- 50 A
 BATTERY QUANTITY: 2 CELL
 BATTERY TYPE: VALVE REGULATED LEAD ACID

PROHIBIDO SU USO EN EXTERIORES
 MADE IN CHINA
 HECHO EN CHINA

Compliant with IEC 62133-2:2014
 & CECA G22.2 No.107.3-14
 P/N: UVD024

BATTERY CARTRIDGE SET FOR
 1KVA 24VDC UPS EBP



LEGEND			
SYMBOL	DESCRIPTION	SYMBOL	DESCRIPTION
	CIRCUIT BREAKER		AC-DC CONVERTER
	RELAY		DC-DC CONVERTER
	CB CIRCUIT BREAKER		BATTERY SYMBOL
	DC-DC CONVERTER		FUSE
			BATTERY UNIT

REV		DATE		BY		CHK		APR		DESCRIPTION		ECN		UVD024			
00A	03/10	DAL	ZRZ	GLM/DLB	RELEASE TO PRODUCTION						UVD024						
THIRD ANGLE PRODUCTION												MJD		VARIOUS		SHT 1 OF 2	

THE BUYER SHALL SPECIFY THAT THE CONTRACTOR SHALL BE RESPONSIBLE FOR THE WORK AND SHALL NOT PROCEED WITHOUT THE BUYER'S WRITTEN APPROVAL AS IT WILL AFFECT DELIVERY.	
SMARTZONE UPS VRLA BATTERY CARTRIDGE SET UVD024 CUSTOMER DRAWING	
UVD024/00 UVD024-DC/00A	N/A
UVD024-DC	UVD024-DC