

FCE4U

Contents:

- | | | |
|--------------------------|----------------------------|--------------------------------|
| 1 - ENCLOSURE | 2 - GROMMETS | 3 - ADHESIVE BEVEL ENTRY CLIPS |
| 4 - #12-24 X 1/2" SCREWS | 2 - STRAIN RELIEF BRACKETS | 3 - ADHESIVE MOUNTS |
| 4 - M6X1 SCREWS | 3 - TAK-TYS (6" pcs.) | 1 - CAUTION LABEL |
| 2 - #10-32 X 3/8" SCREWS | 4 - CABLE TIES (PLT2S-M0) | 1 - LASER WARNING LABEL |
| 4 - #10-32 HEX NUTS | 2 - SLACK SPOOLS | 2 - BEND RADIUS POSTS |

CAUTION:

Fiber optic cable is sensitive to excessive pulling, bending and crushing forces. Consult the manufacturer's cable specification sheet for the specific cable in use.

Follow TIA/EIA-568A, 569, 606, and 607 installation guidelines where applicable.

WARNING: UNMATED CONNECTORS MAY EMIT INVISIBLE LASER RADIATION. DO NOT LOOK DIRECTLY INTO THE END OF THE CONNECTOR. DO NOT INSPECT WITH MAGNIFYING DEVICES. MAINTAIN CAP ON UNMATED CONNECTORS.

Care should be taken when opening and closing fully loaded enclosure in order to protect fiber components.

ASSEMBLY VIEW

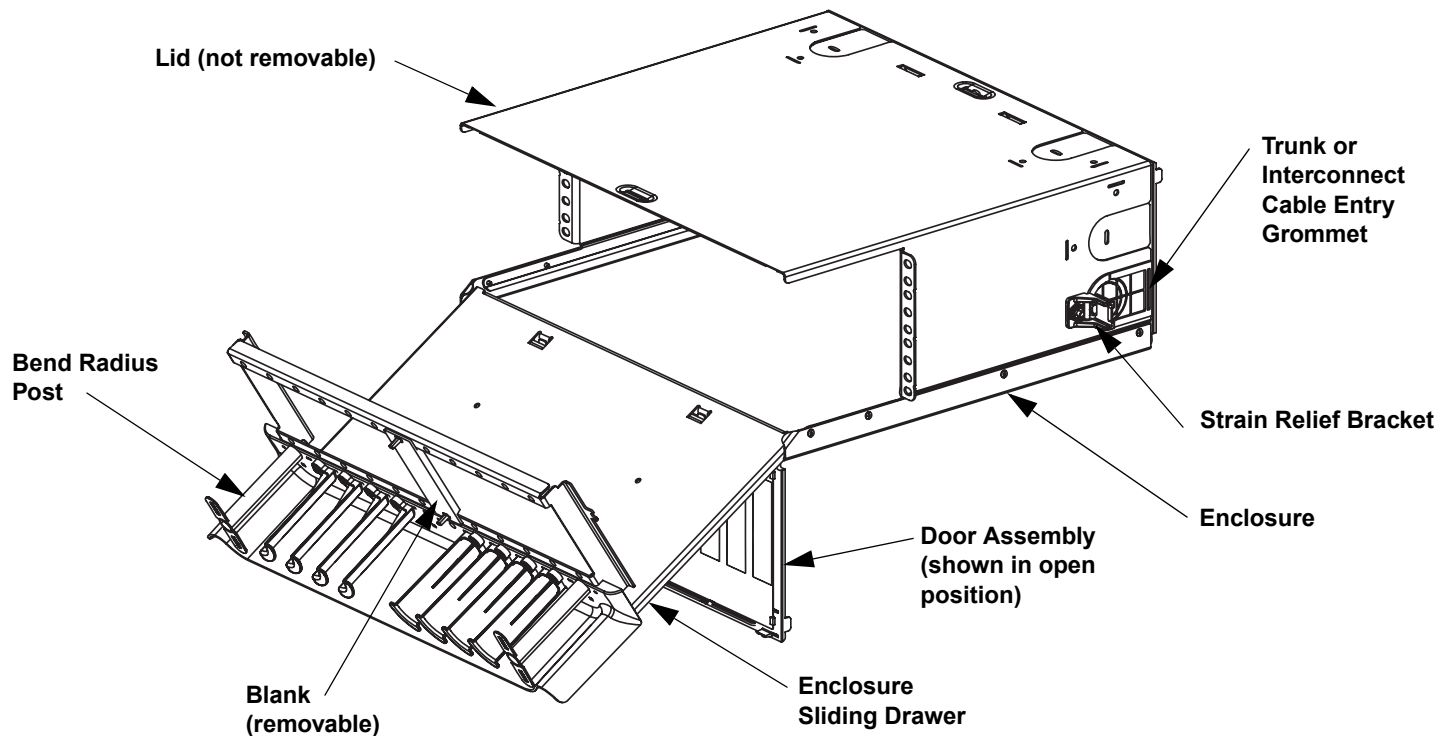
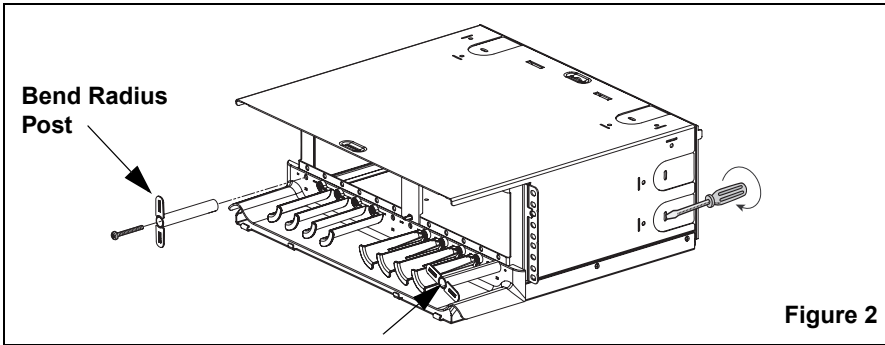


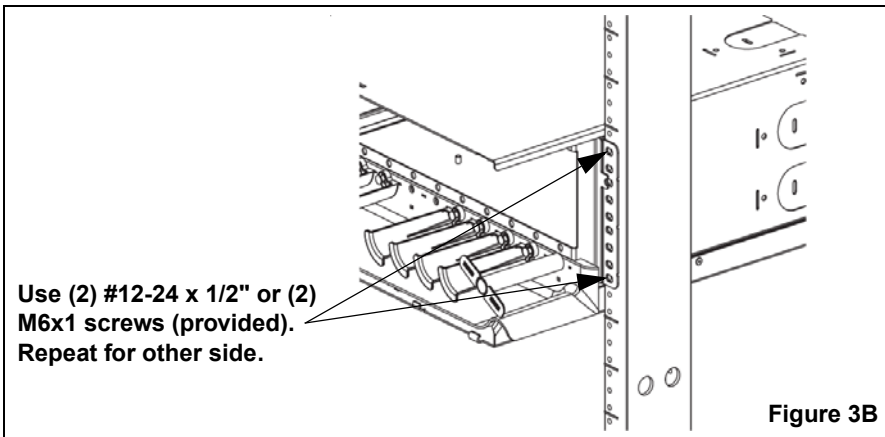
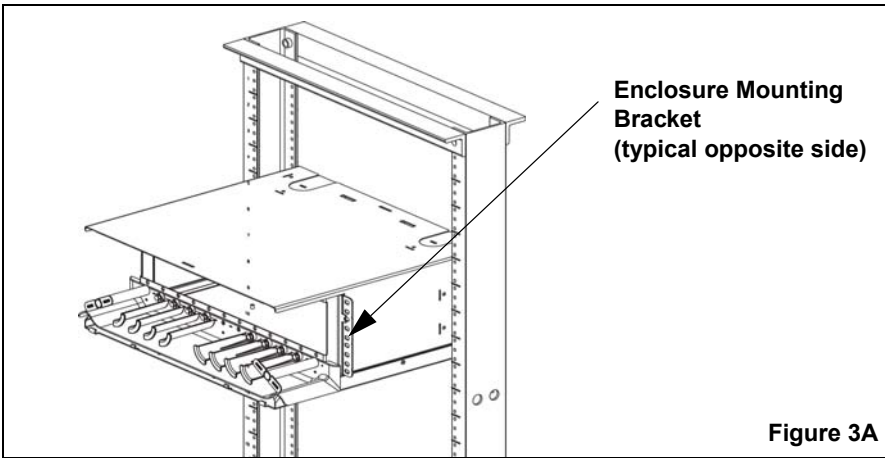
Figure 1

PREPARATION AND RACK MOUNTING

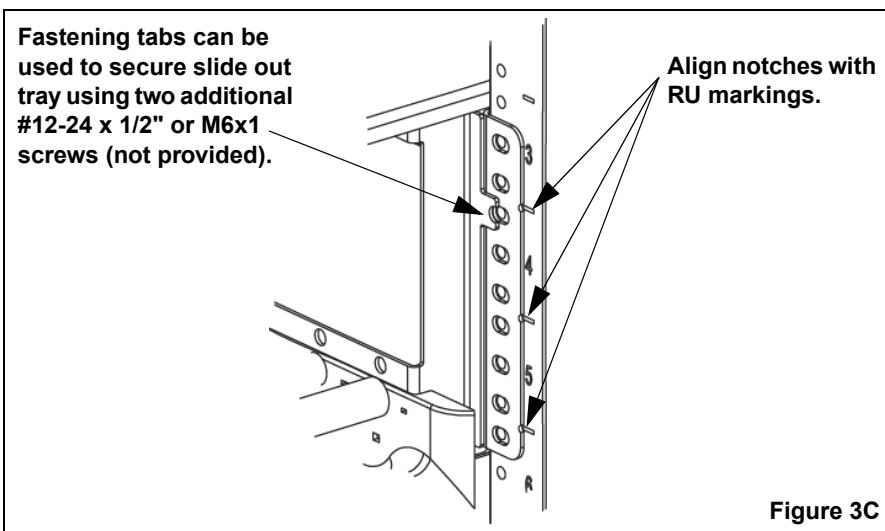


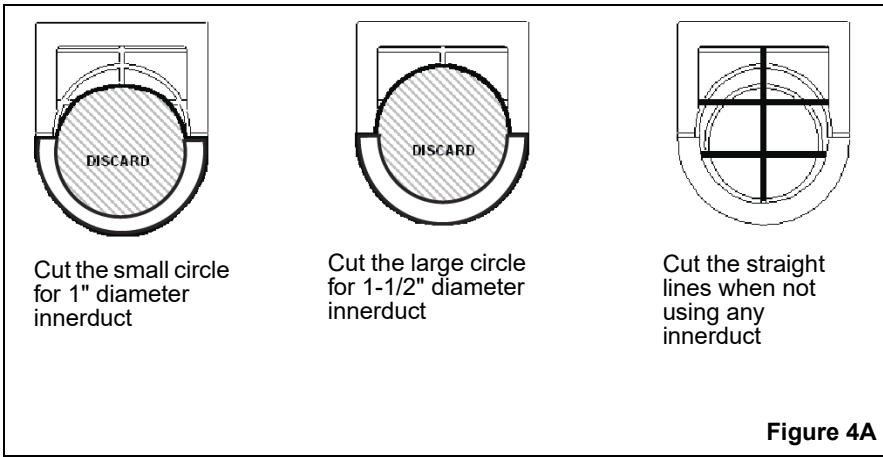
Install the bend radius posts on each side as shown.

Determine where the cable will enter the enclosure. Carefully remove the knock-out at that entry location of the fiber tray making sure not to damage the surrounding sheet metal. **DO NOT** install grommet at this stage, grommet will be installed after enclosure is mounted to rack.

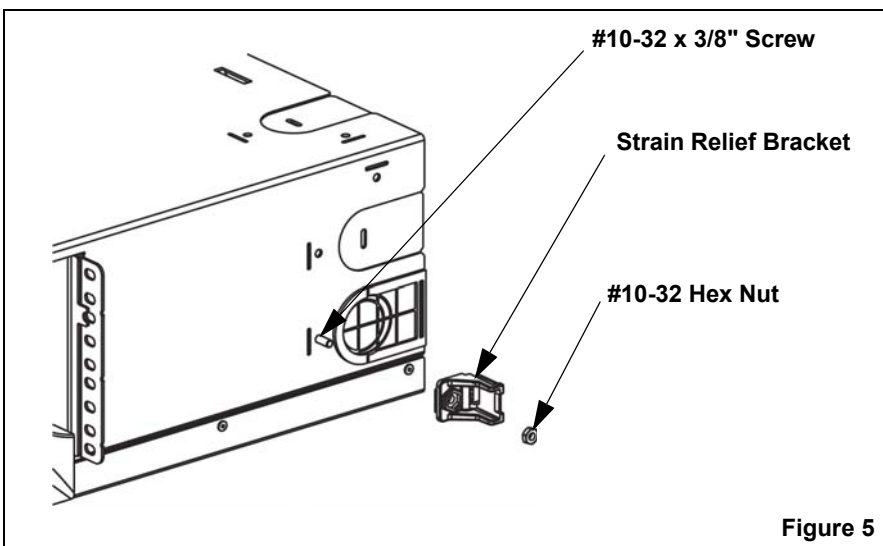
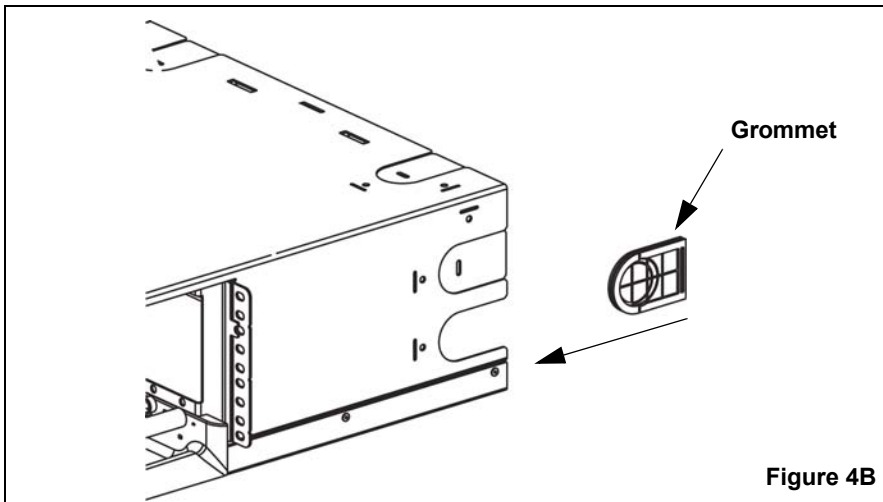


Place enclosure mounting brackets at desired position on the rack. Mount the enclosure to the rack using (4) #12-24 x 1/2" screws. Use the (4) M6x1 screws if mounting to a metric rack.





After the enclosure is mounted in the rack, determine the size of the innerduct that will be used to bring the cable into the enclosure. Install grommet following the proper cutting diagram (See Figure 4A).

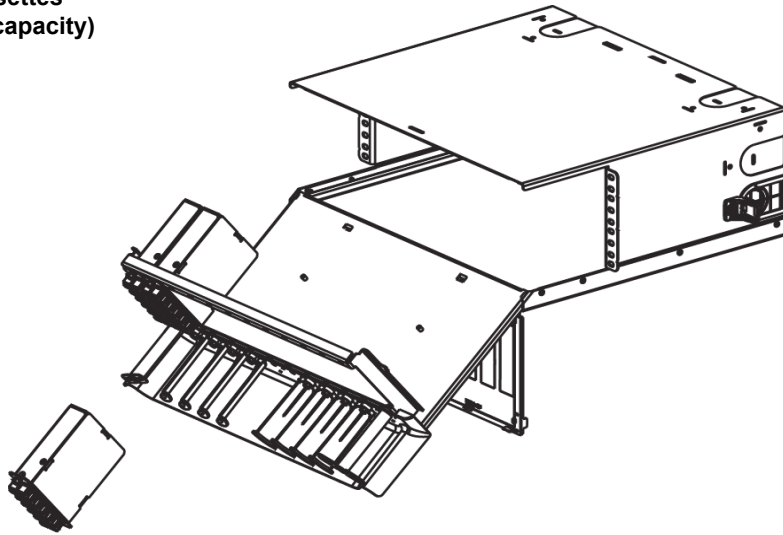


Install the strain relief bracket near where the cable will enter the enclosure. Secure with a #10-32 x 3/8" screw and #10-32 hex nut.

Opticom QuickNet Cassette Installation

Cassette Installation Option

**Cassettes
(12 capacity)**



Isometric view showing tray fully extended and tilted down. (cables omitted for clarity)

Figure 6A

Insert Opticom QuickNet Pre-Terminated Fiber Optic Cassettes into the enclosure as shown. Once mounted, fully seat NyLatches to secure the cassette.

Fully extend tray to ensure proper amount of slack is used.

Tak-Ty cables to fence

Grommet

Fixed Tak-Ty

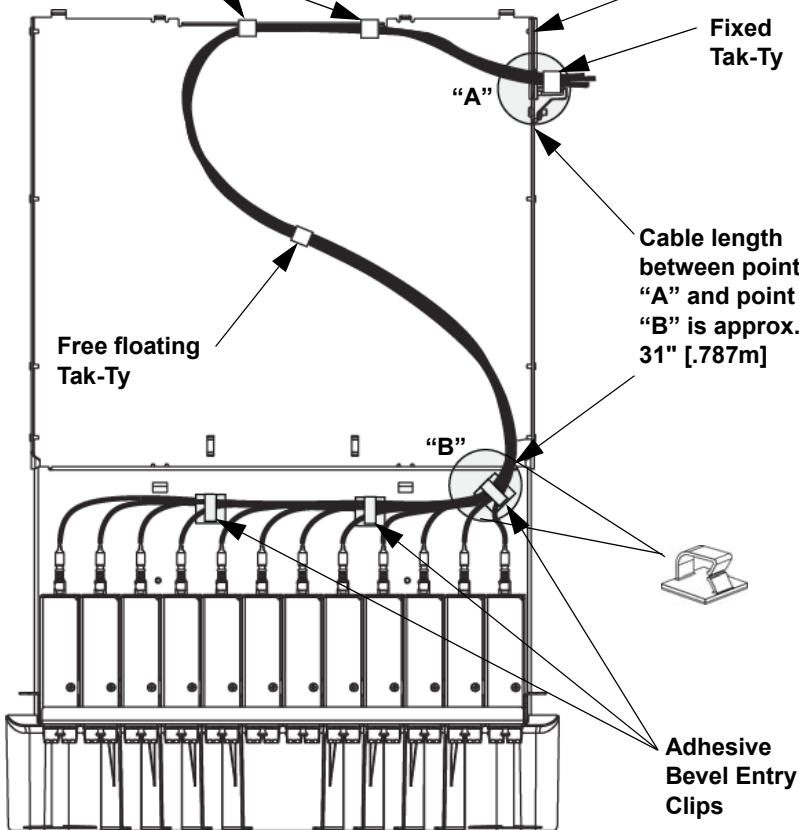
"A"

Cable length between point "A" and point "B" is approx. 31" [.787m]

Free floating Tak-Ty

"B"

Adhesive Bevel Entry Clips

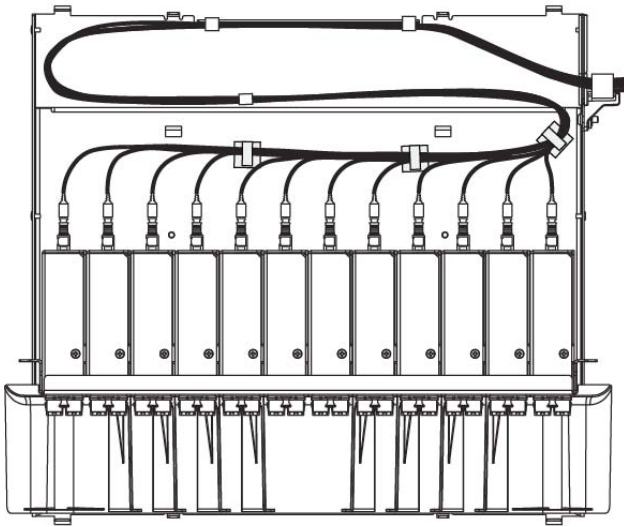


Drawer in extended position. (cover omitted for clarity)

Figure 6B

Route fiber through grommet to fiber cassettes as shown. Leave enough slack so when the drawer is fully extended the cables are not put under tension. DO NOT use so much slack that the drawer cannot be returned to its home position (See Figure 6C).

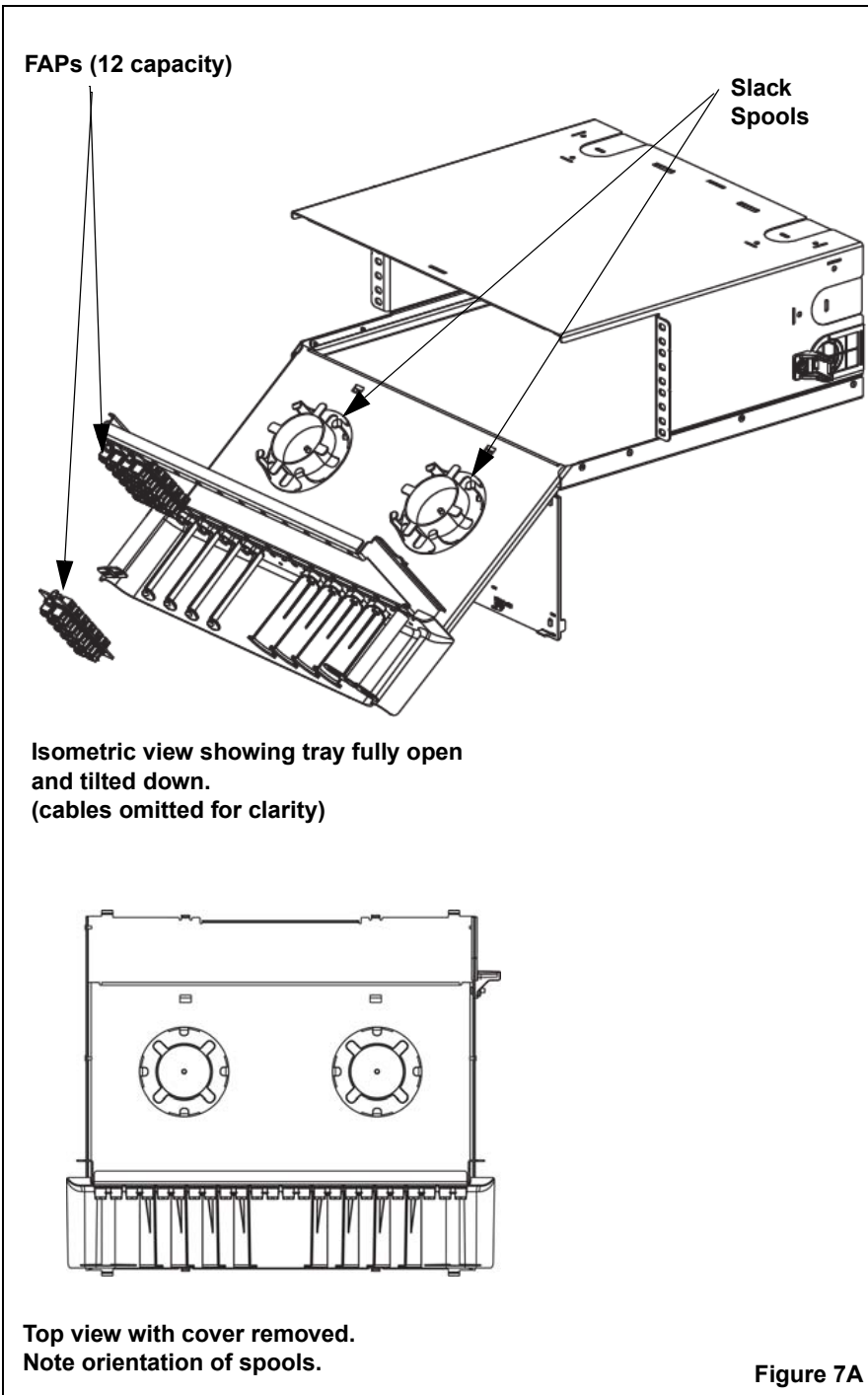
Use Tak-Tys to secure fiber cords at cable entry location and other points as shown.



Tray in home position.
(cover omitted for clarity)

Figure 6C

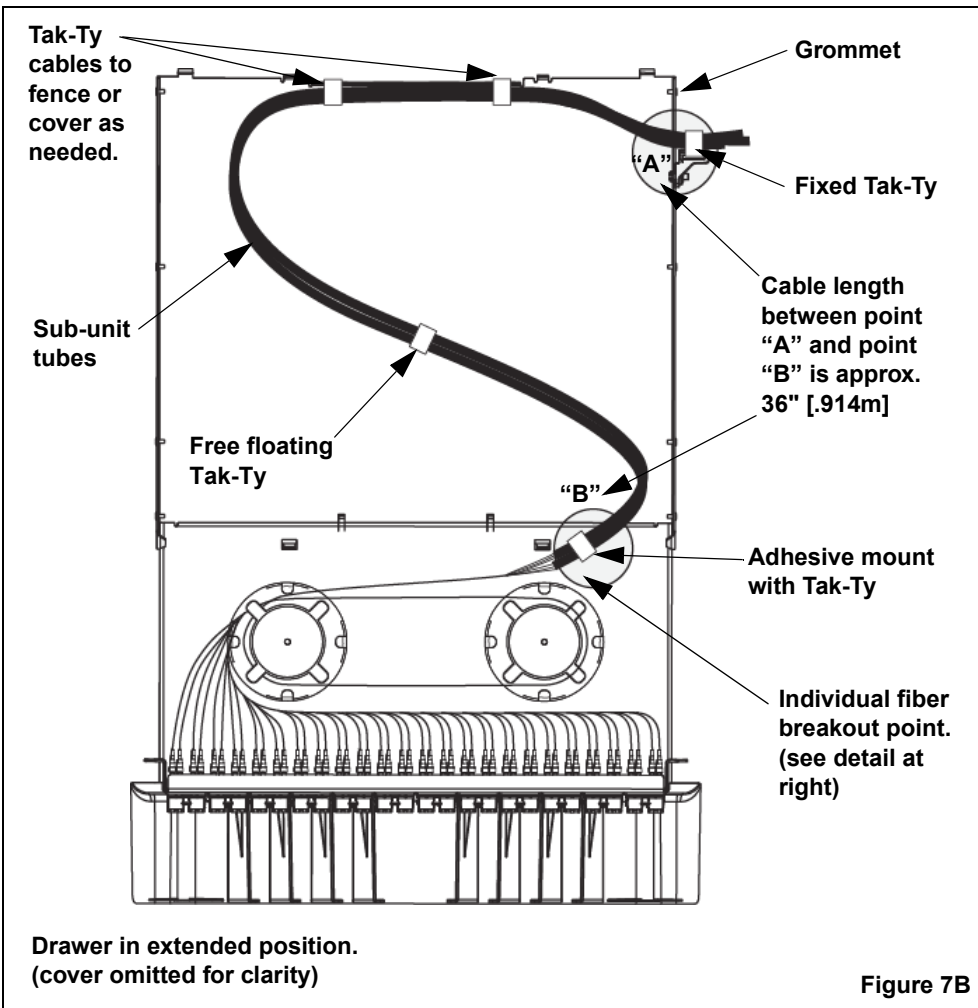
Field-Terminated Trunk Option



Place slack spools over #10-32 studs on sliding tray. Secure with #10-32 hex nuts or adhesive mounts (make sure to punch hole into adhesive mounts). Note spool orientation.

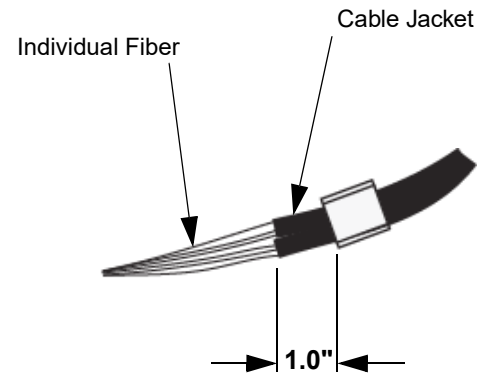
Position FAPs between upright flanges as shown. Once mounted, fully seat NyLatches to secure FAPs.

Fully extend tray to ensure proper amount of slack is used.



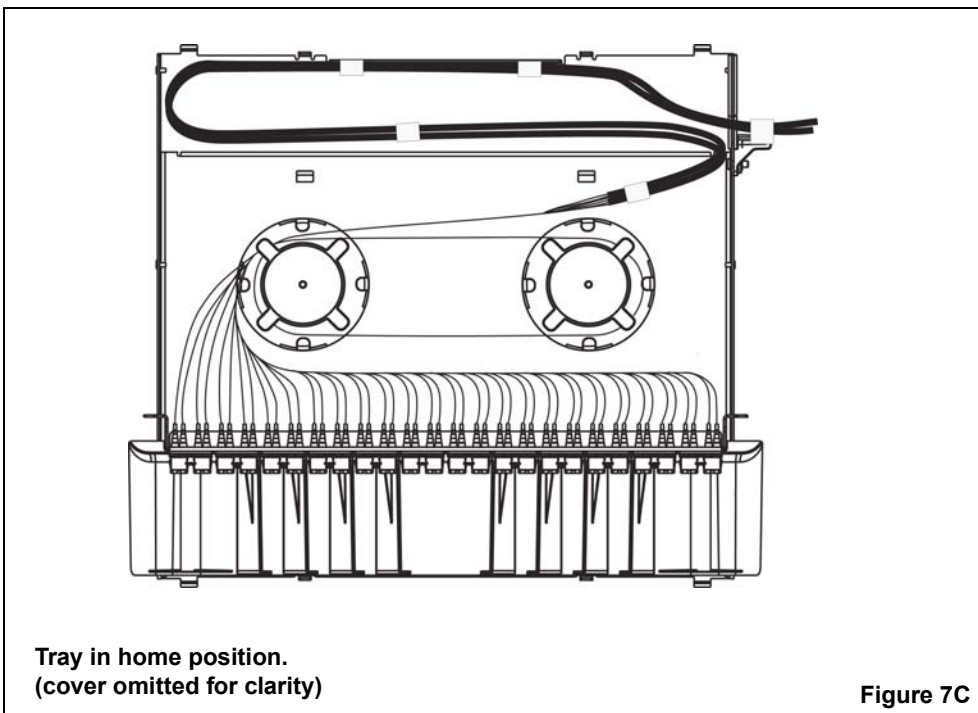
Route fiber through grommet as shown. Use enough cable length to ensure one complete loop of individual fibers around slack spools. Leave enough jacketed slack so when the drawer is fully extended the cables are not put under tension. DO NOT use so much slack that the drawer cannot be returned to its home position (See Figure 7C).

Use Tak-Tys to secure fiber cords at cable entry location and other points as shown.

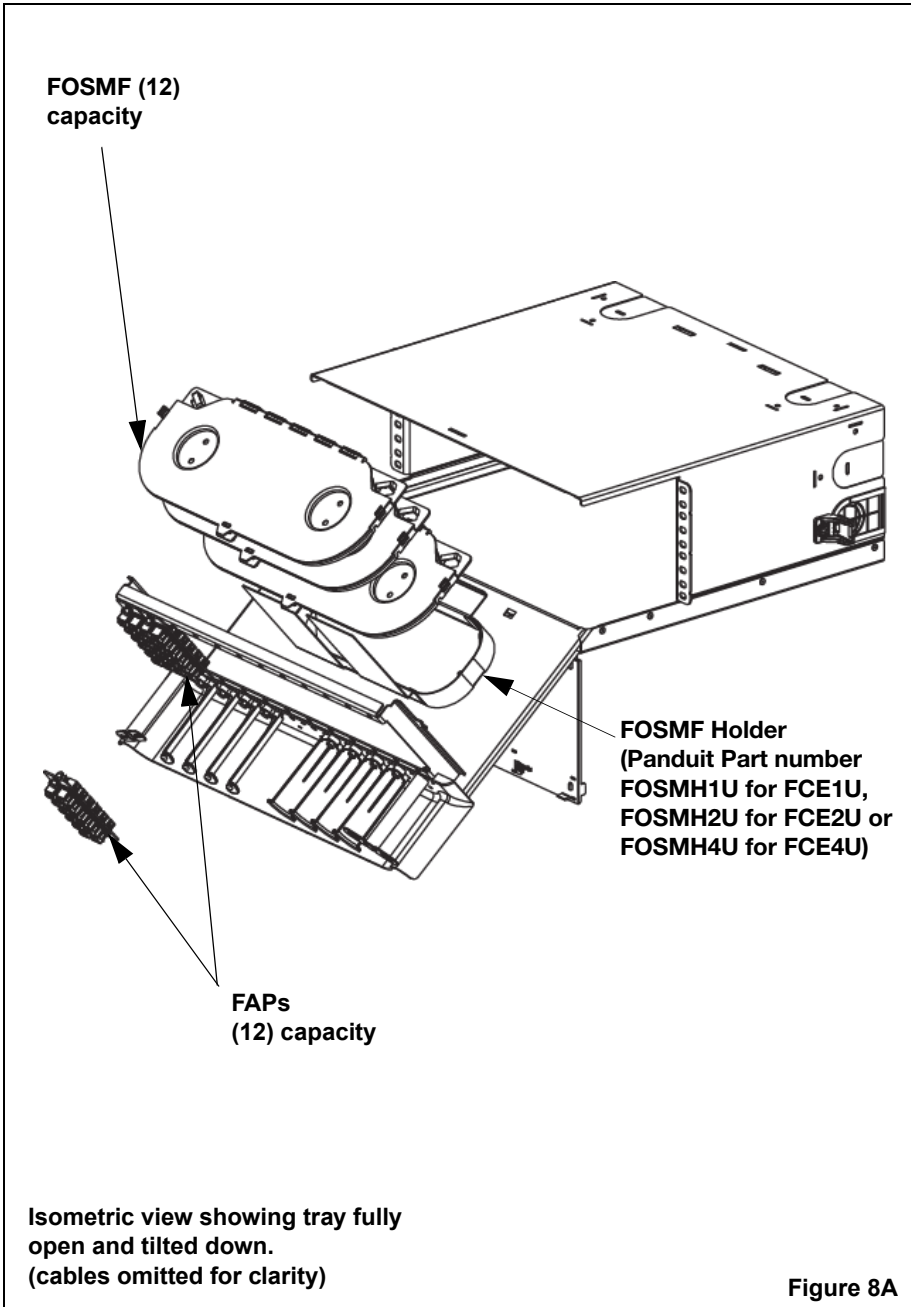


Fiber Breakout Detail

Be sure adhesive mount secures jacketed trunk cable. DO NOT clip individual 900µm buffered fibers.



FOSMF Fiber Optic Splice Module Installation (FOSMFs not included)

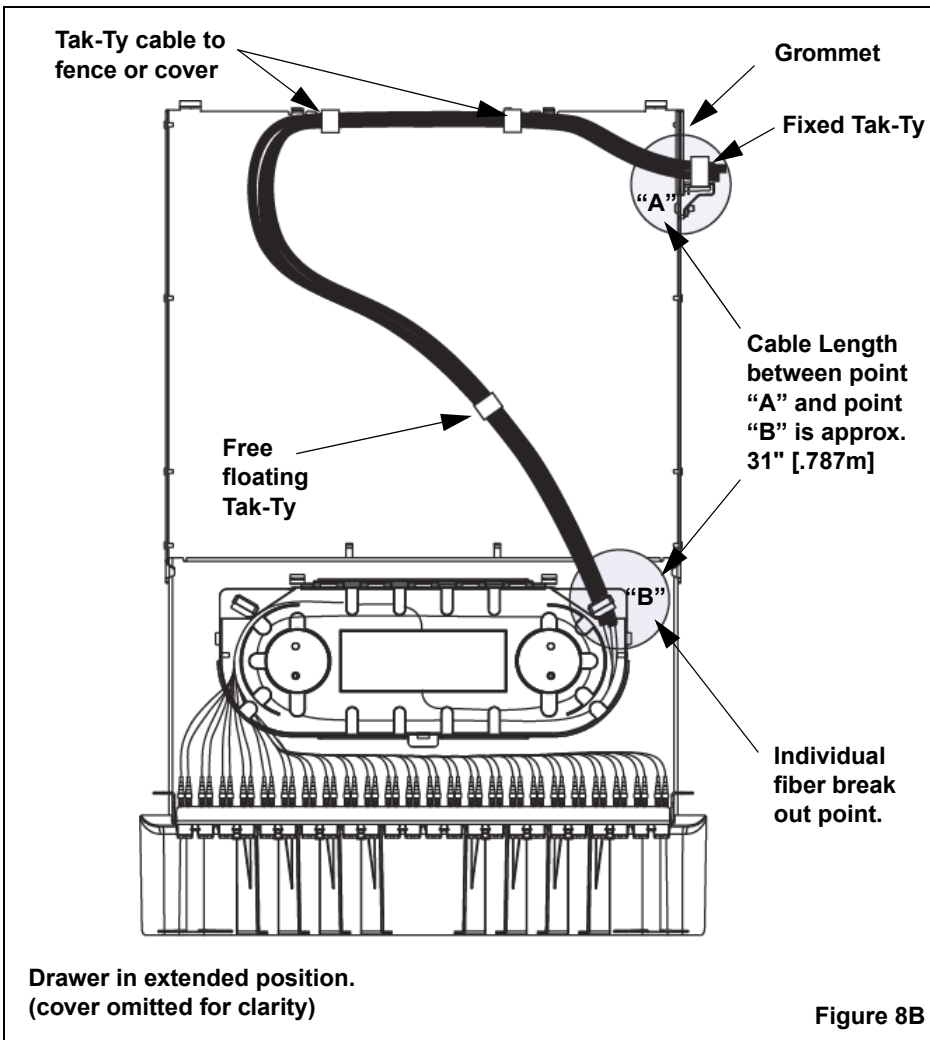


Place FOSMF Holder (Panduit part number FOSMH1U for FCE1U, FOSMH2U for FCE2U or FOSMH4U for FCE4U) over #10-32 studs on sliding tray (note orientation). Secure with #10-32 hex nut. Place first FOSMF on top of FOSMF Holder (note orientation). The remaining FOSMFs are stacked on top of each other and snap in place after termination of lower tray.

Position FAPs between upright flanges as shown. Once mounted, fully seat NyLatches to secure FAPs.

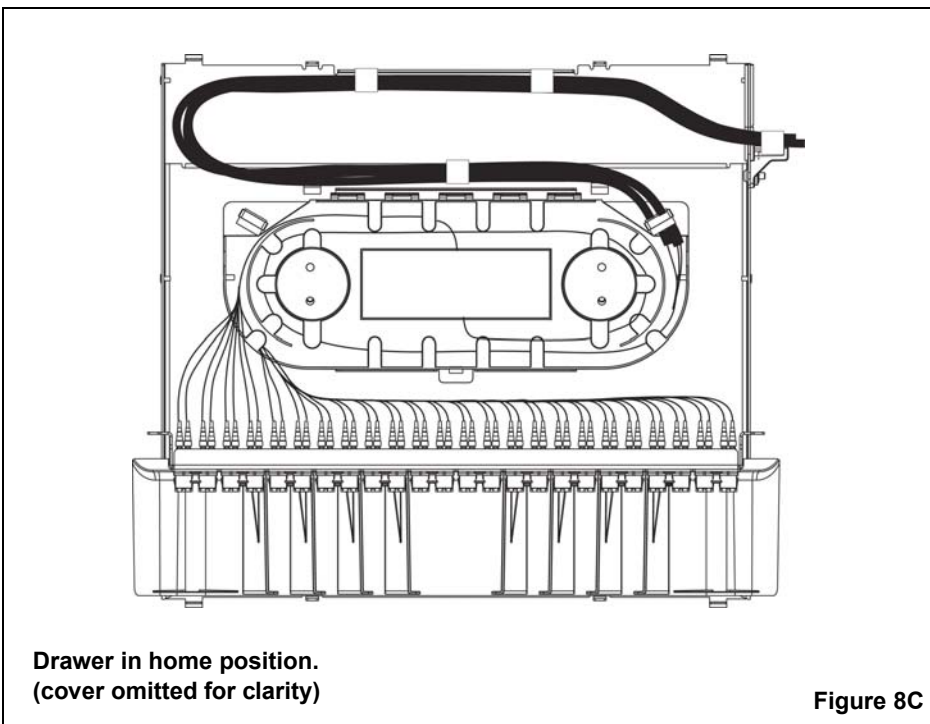
Fully extend tray to ensure proper amount of slack is used.

Finish splicing in each FOSMF before adding or stacking subsequent FOSMFs.



Route fiber through grommet as shown. Use enough cable length to ensure one complete loop of individual fibers around splice tray slack spools. (See instruction sheet for splice trays). Leave enough jacketed slack so when the drawer is fully extended the cables are not put under tension. DO NOT use so much slack that the drawer cannot be returned to its home position (See Figure 8C).

Use Tak-Tys to secure fiber cords at cable entry location and other points as shown.



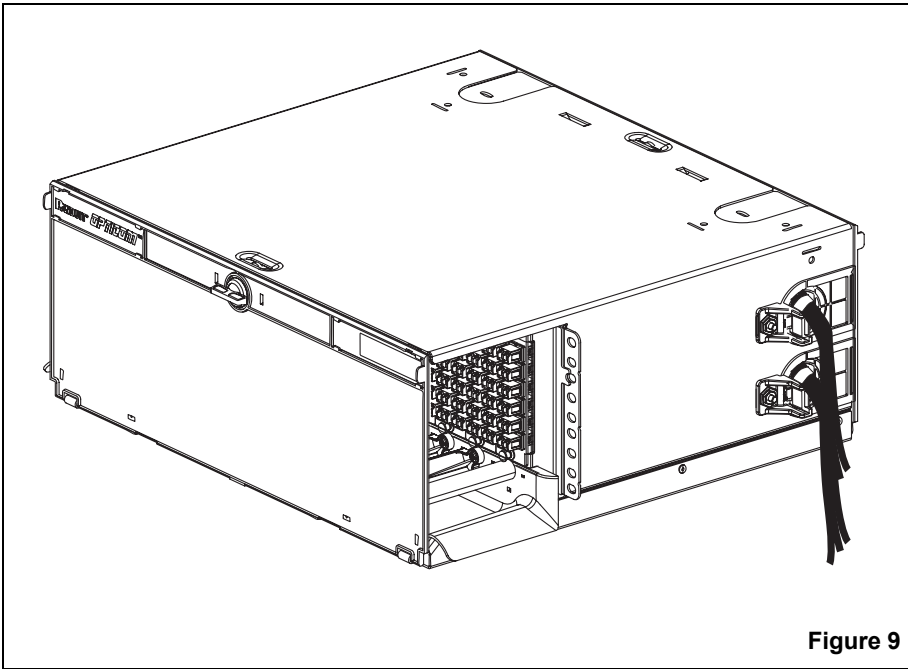


Figure 9

Re-install front and rear door assemblies if removed during fiber installation.

Attach Laser Warning Label and Caution Label where they are clearly visible.

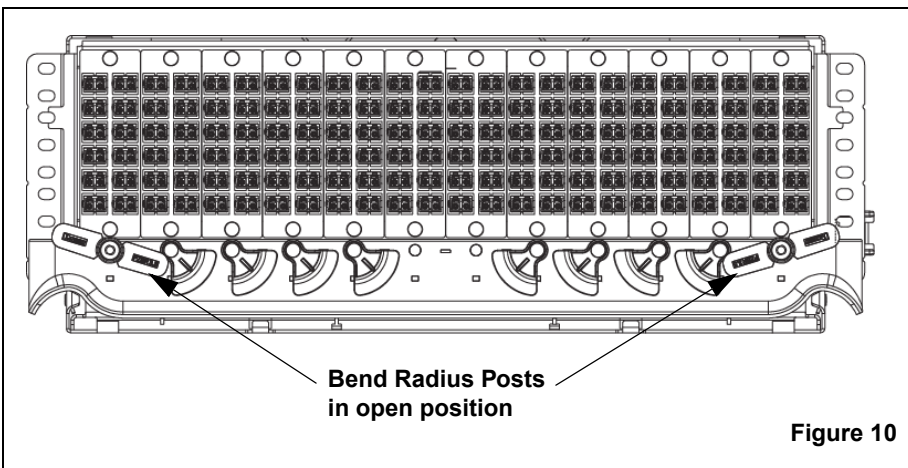


Figure 10

Rotate the Bend Radius Posts to the open position on each end of the patch field to allow room to route patch cords under the tabs to the cable manager.

Plug fiber connector into FAP adapter. Route patch cords down to fiber manager base, under fiber manager fingers and Bend Radius Posts to cable manager.

After all patch cords have been routed to the cable manager, rotate Bend Radius Posts back to the closed position to contain the patch cords within the fiber manager. Tighten the connection of the Bend Radius Posts to the enclosure by securing the hex nut at the rear of the fiber manager and tightening the Bend Radius bolt with a Phillips head screwdriver.

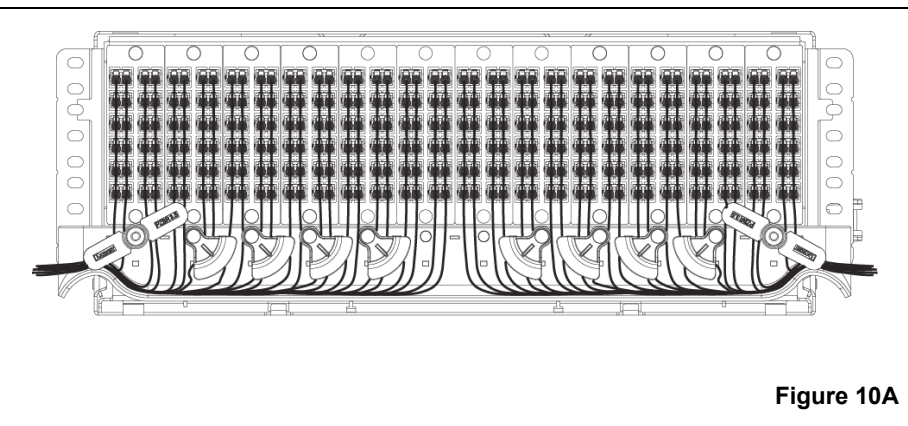


Figure 10A