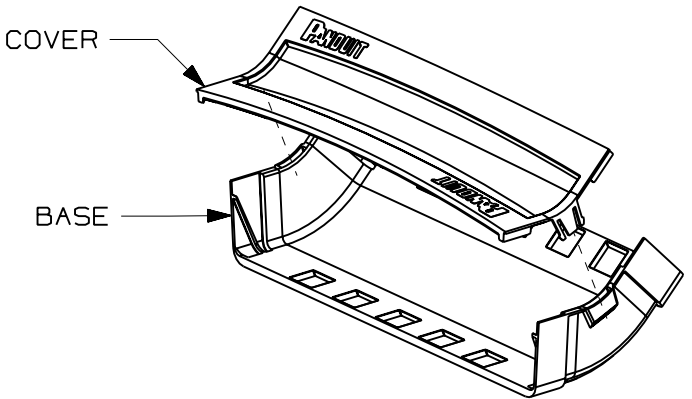
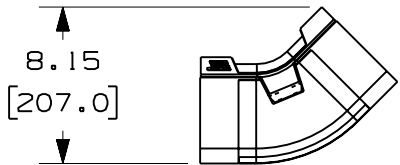
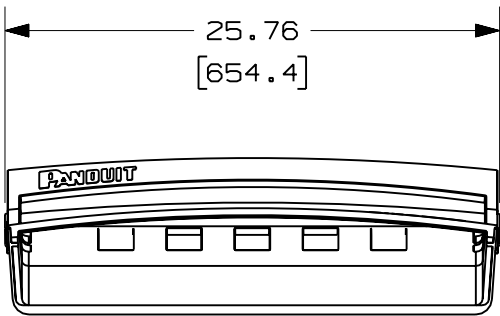
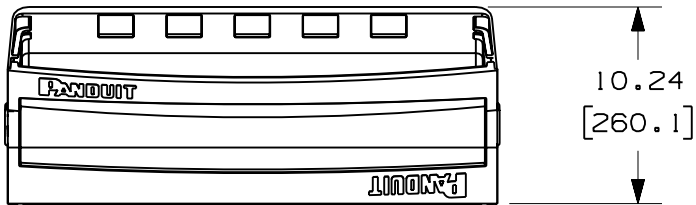


PANDUIT PART NUMBER	WEIGHT
FRIV4524X4	3.94 LB/EACH (1787g/EACH)

NOTES:

1. SEE CURRENT CATALOG FOR ADDITIONAL PART SUFFIXES TO INDICATE COLOR AND/OR PACKAGE QUANTITY.
2. THE FIBERRUNNER 24x4 INSIDE VERTICAL 45° ANGLE FITTING IS DESIGNED WITH A MINIMUM 3" (76.2) BEND RADIUS TO PROTECT FIBER OPTIC CABLES.
3. THE FIBERRUNNER 24x4 INSIDE VERTICAL 45° ANGLE FITTING INCLUDES:  
ONE (1) INSIDE VERTICAL 45° ANGLE BASE  
ONE (1) INSIDE VERTICAL 45° ANGLE COVER
4. DIMENSIONS IN PARENTHESES ARE IN METRIC.



ENG. REF.: D39701C0\_DC/00 FRIV4524X4

CAD FILENAME/LAYERS		FRIV4524X4.pdf	
<h1>PANDUIT</h1> CORP    TINLEY PARK, ILLINOIS			
FIBERRUNNER 24x4 INSIDE VERTICAL 45° ANGLE FITTING (FRIV4524X4) CUSTOMER DRAWING			
UNLESS OTHERWISE SPECIFIED, DIMENSIONAL TOLERANCES ARE:		UNLESS OTHERWISE SPECIFIED, ALL DIMENSIONS ARE GIVEN IN INCHES, THIRD ANGLE PROJECTION.	
(.X) ±	(.XXX) ±		
(.XX) ± .03 (.8)	ANGLES ±		
DRAWN BY	MAT'L:	SCALE	
MSO	ABS	NONE	
DATE		DRAWING NO.	DWG
10-21-08		39701-23	A
CHK'D			SIZE
SL			

REV	DATE	BY	CHK	DESCRIPTION	ECN	R	CUST	SUP	GMBH
R	10-21-08	MSO	SL	RELEASED TO PRODUCTION	39701-23	RN	RN		