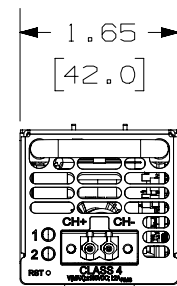
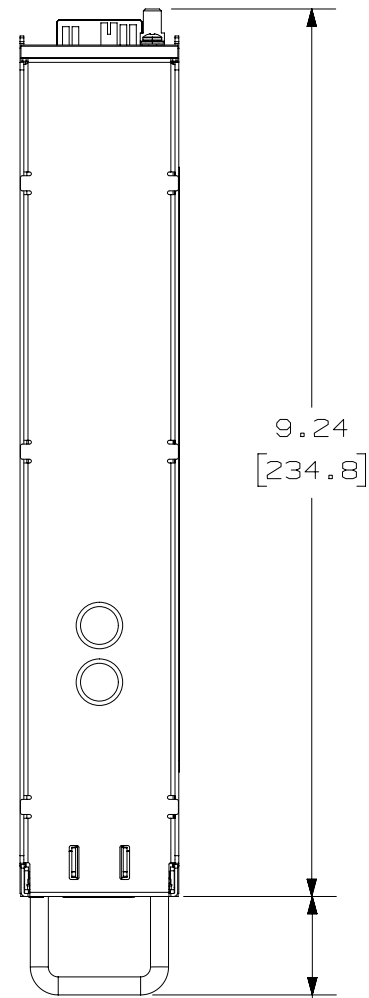
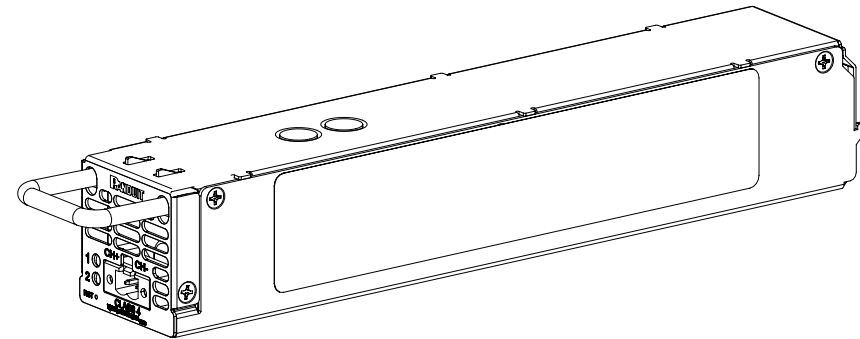
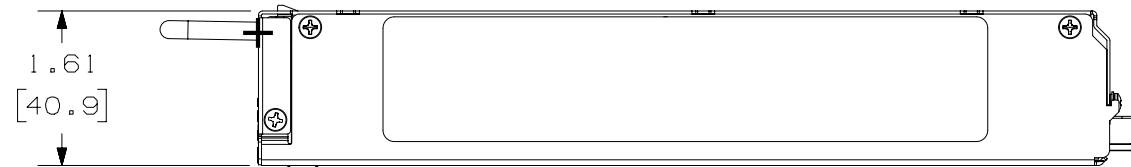


NOTES:

1. VISIT OUR ON-LINE CATALOG AT WWW.PANDUIT.COM FOR A LIST OF CURRENT PARTS APPLICABLE FOR USE WITH THIS PRODUCT.
2. DIMENSIONS IN [ ] ARE METRIC.
3. ALL MATERIALS AND COMPONENTS USED MEET THE MATERIAL RESTRICTIONS OF RoHS (EUROPEAN DIRECTIVE 2011/65/EU ON THE RESTRICTION OF HAZARDOUS SUBSTANCES) AS PROPOSED BY THE RoHS TECHNICAL ADAPTATION COMMITTEE.
4. WEIGHT: 1.1 lbs/0.50 kg
5. PART INCLUDES:  
TRANSMITTER MODULE ASSEMBLY (1)  
5mm TERMINAL BLOCK CONNECTOR (1)
6. THIS PRODUCT COMPLIES TO:  
UL 1400-1 FAULT-MANAGED POWER SYSTEM



1.03  
[26.0]



PART NUMBER		PXTM1AF	
TITLE		FMPS Transmitter Module 600W	
		CUSTOMER DRAWING	
ITEM REVISION NAME		01959NAZ/04	
DATASET FILE NAME		01959NAZ_DC/04	
MATERIAL		XXXXXXXXXXXX	
DRAWING NUMBER		01959NAZ-DC	
DRAWN BY		DATE	CHK
DFTR	XX/XX/XX	ENG	NONE
SCALE		NONE	
SHEET 1 OF 1		SIZE B	

REV	DATE	BY	CHK	APR	DESCRIPTION	ECN
04	10/18/23	FRCH	FRCH	PM	INITIAL RELEASE	