



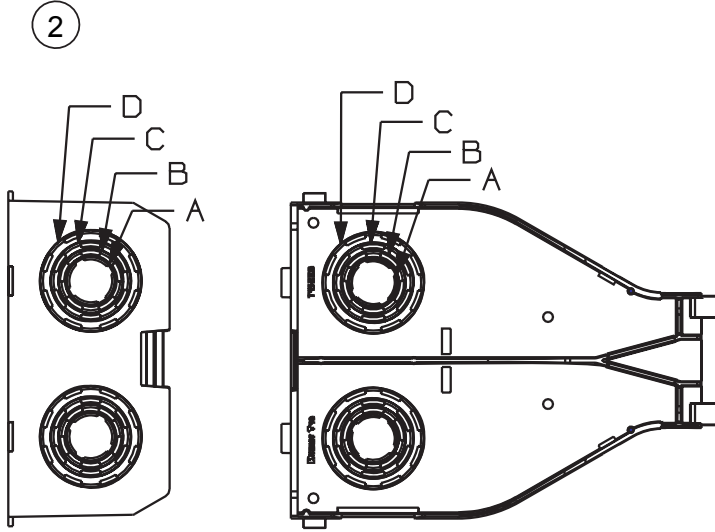
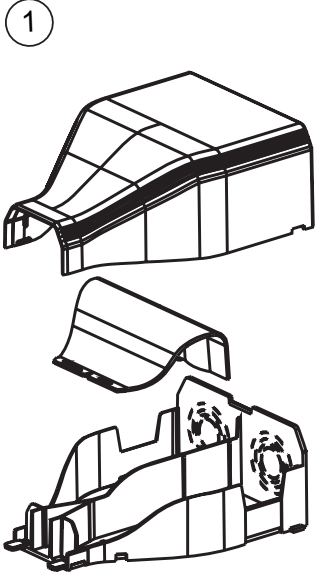
TYPE T45 ENTRANCE END FITTING

INSTALLATION INSTRUCTIONS

©Panduit Corp. 2007

Printed in U.S.A.

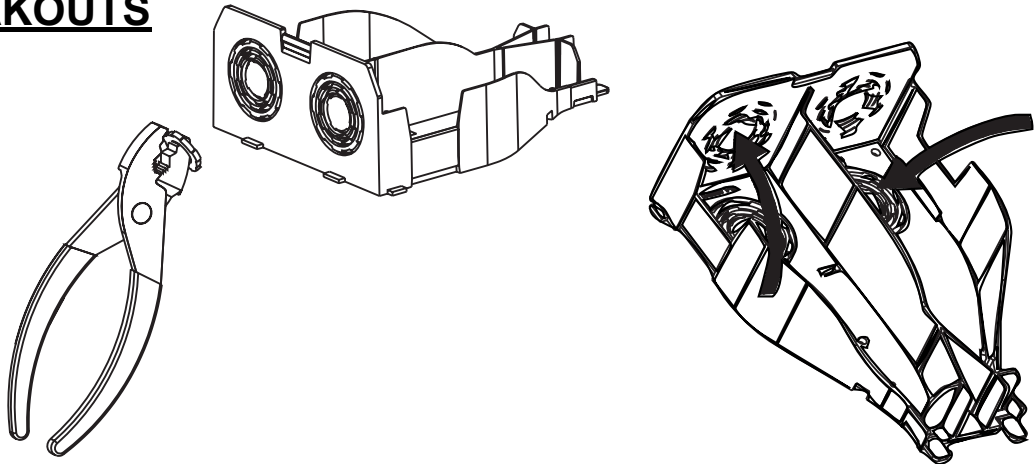
BREAKOUTS



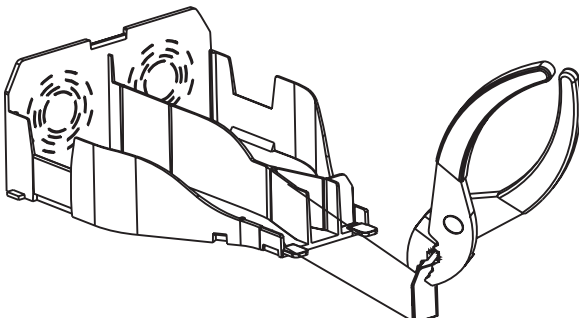
Panduit Part Number: T45EE	
BREAKOUTS	CONDUIT SIZES
A	1/2"
B	3/4"
C	1"
D	1 1/4"

REMOVING BREAKOUTS

3



4

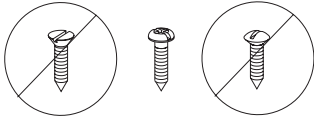


For Technical Assistance, Call: 800-777-3300

INSTALLATION INSTRUCTIONS

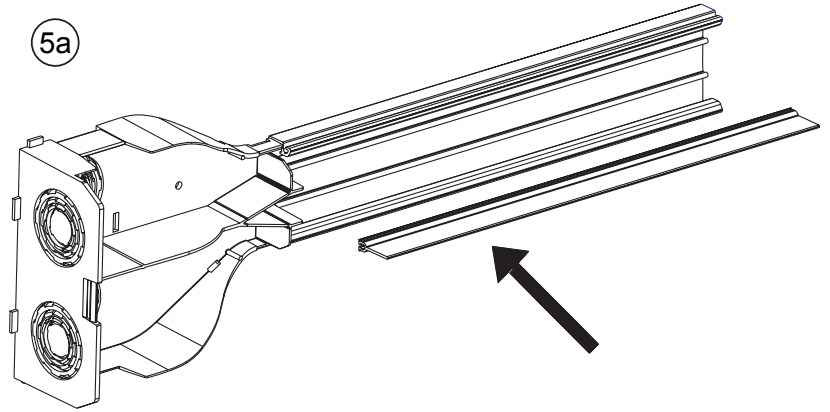
MOUNTING

5



The mounting hardware used to secure the raceway shall be appropriate for the mounting surface.

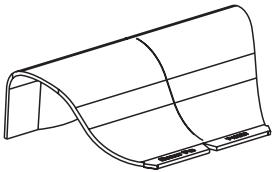
5a



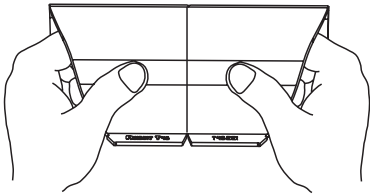
POWER/DATA LOW VOLTAGE APPLICATIONS

ROUTING DATA

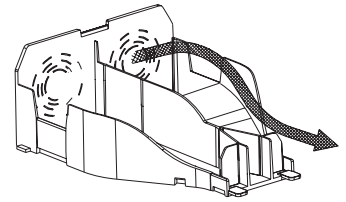
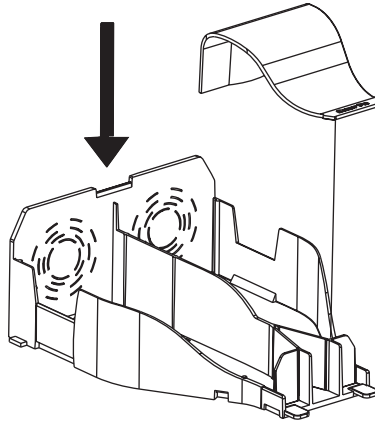
6



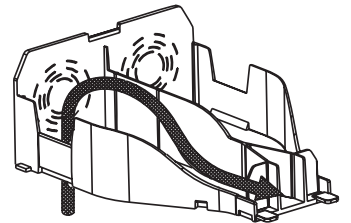
6a



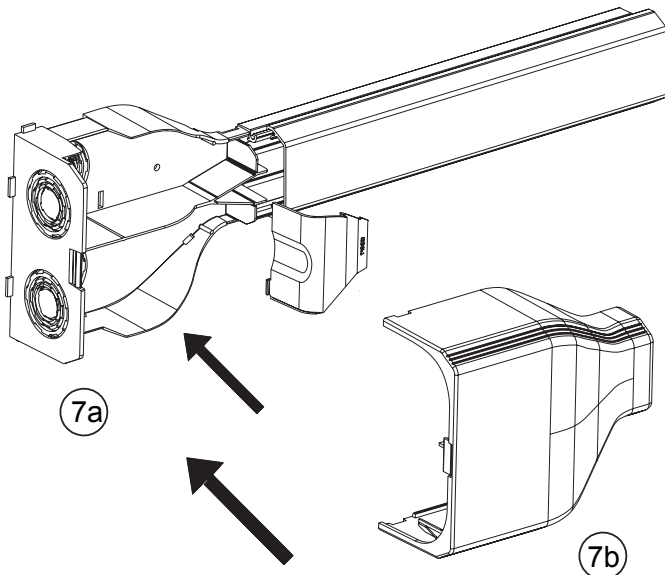
6b



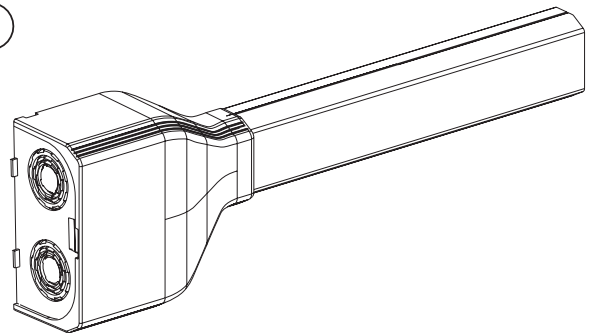
POWER



7



8



Instruction Sheet RW77A

WORLDWIDE SUBSIDIARIES AND SALES OFFICES

17301 Ridgeland Avenue
Tinley Park, IL 60477-3901
Web Site: www.panduit.com



RACEWAY SYSTEMS DIVISION

Fax: 708-532-1811
Technical Support: 800-777-3300