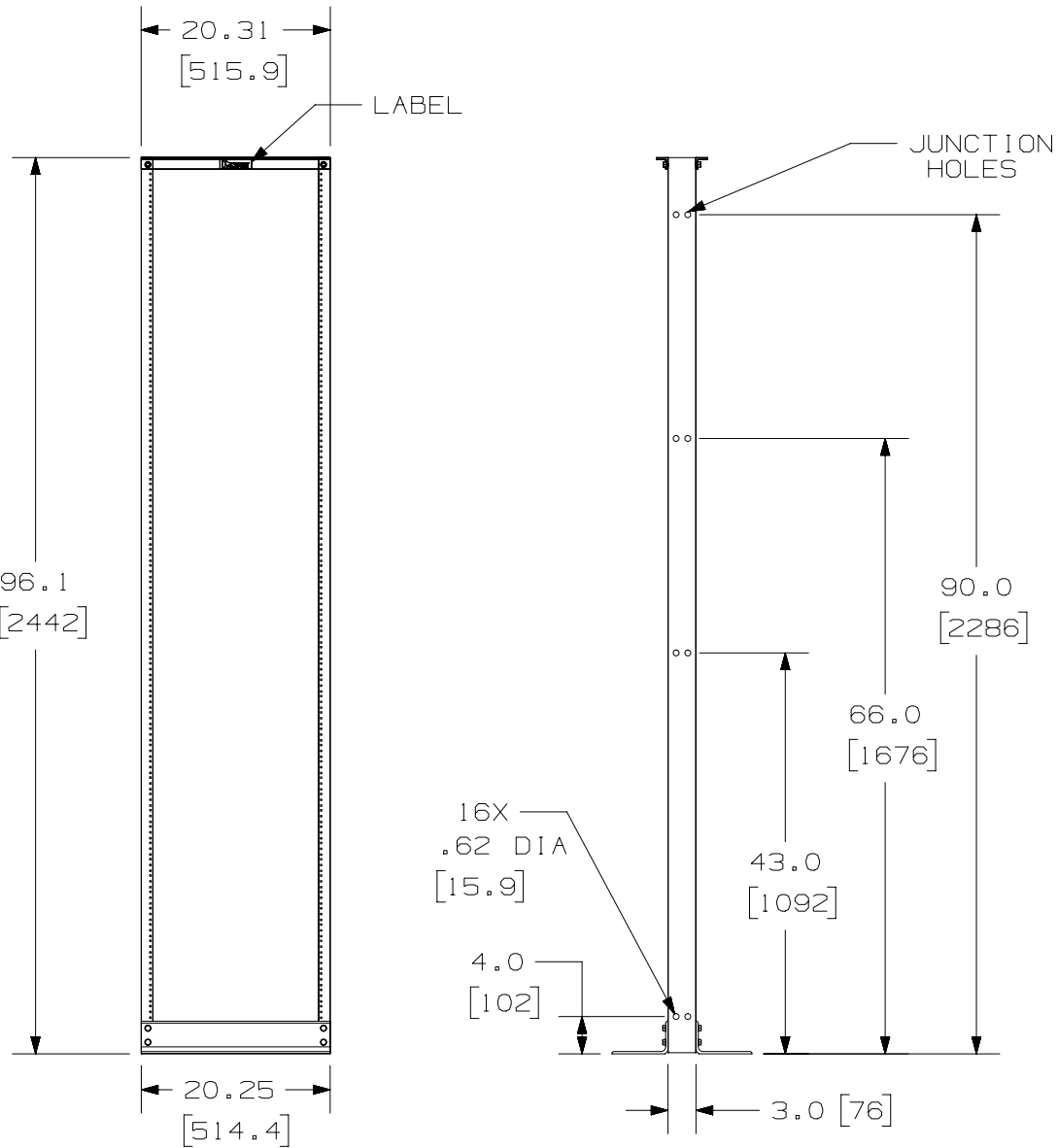


THIS COPY IS PROVIDED ON A RESTRICTED BASIS AND IS NOT TO BE USED IN ANY WAY DETRIMENTAL TO THE INTERESTS OF PANDUIT CORP.



PANDUIT P/N	WEIGHT
R2P96	28.5 LB/EACH (13.0 KG/EACH)
R2P96WH	28.5 LB/EACH (13.0 KG/EACH)

NOTES:

- CAN BE USED WITH ANY INDUSTRY STANDARD 19" COMPONENTS IN ADDITION TO ALL PANDUIT CABLE MANAGEMENT AND PATCH PANEL PRODUCTS.
- WILL HOLD UP TO 52 SINGLE RACK SPACINGS.
- EIA SPACING ON RACK: I.E., REF. HOLE SPACING ON UPRIGHT CHANNELS: .625, .625, .500, .625, .625, .500, ETC.
- ASSEMBLY IS REQUIRED.
- RACK PART THICKNESSES:
 - UPRIGHT CHANNEL: WEB; .14 ±.03
FLANGE; .19 ±.03
 - TOP BRACKET: .19 ±.03
 - BASE BRACKET: .25 ±.03
- DIMENSIONS IN PARENTHESES ARE IN METRIC.
- ALL ASSEMBLY HARDWARE INCLUDED:
 - (12) 3/8-16 X 1" BLACK HEX HEAD CAP SCREW
 - (24) 3/8" PAINT PIERCING GROUNDING WASHER
 - (1) TUBE OF ANTI-OXIDIZING PASTE
 - (12) 3/8-16 BLACK HEX NUTS
 - (24) 12-24 X .5" SLOTTED PAN HEAD STEEL SCREWS
- LOAD RATING - 1000 LBS
- RU SPACING NUMBERS ARE CLEARLY PRINTED ON MOUNTING RAILS. RU NUMBERING IS BOTTOM-UP, WITH RU #1 AT BOTTOM AND RU #52 AT TOP.



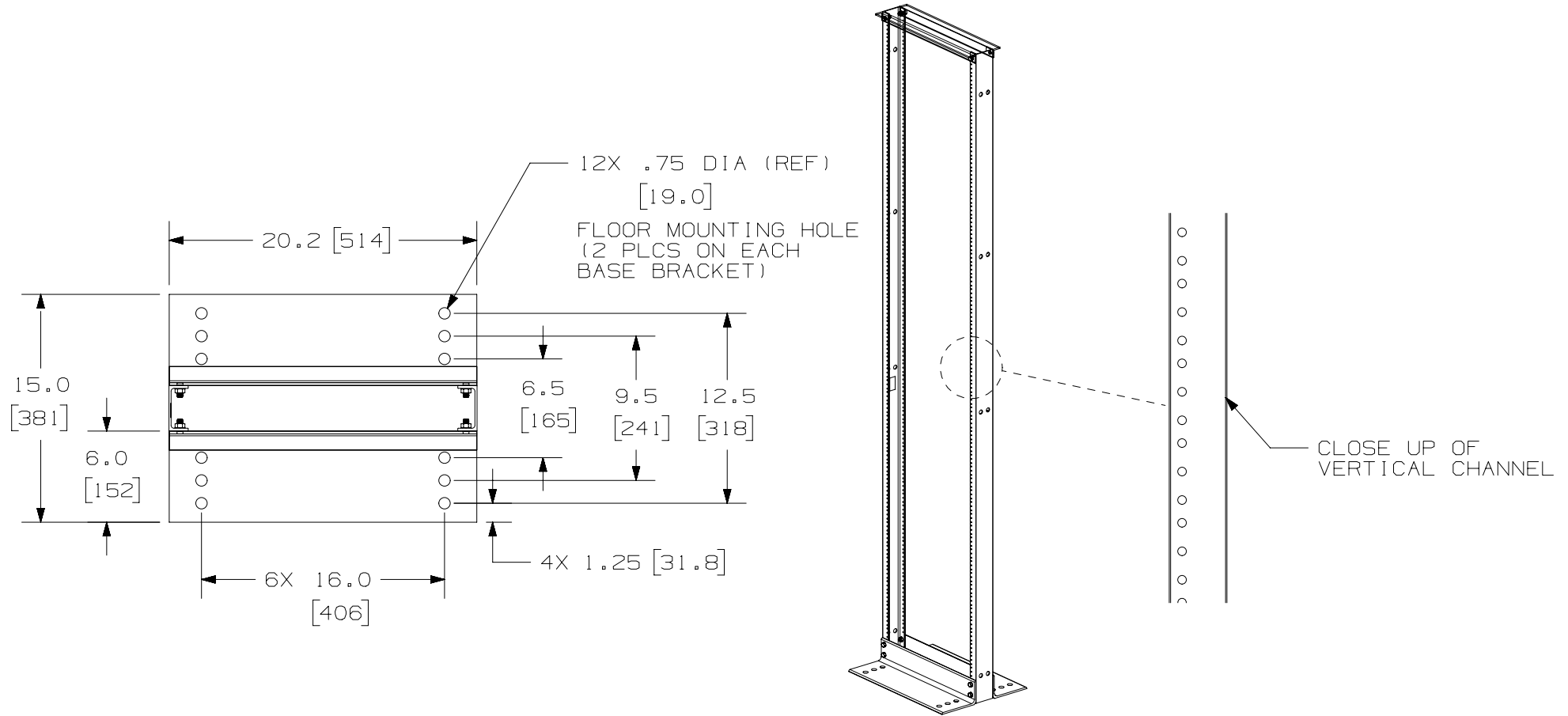
- LOAD RATING - 1000 LBS
- RU SPACING NUMBERS ARE CLEARLY PRINTED ON MOUNTING RAILS. RU NUMBERING IS BOTTOM-UP, WITH RU #1 AT BOTTOM AND RU #52 AT TOP.

TITLE	
8 FOOT CABLE MANAGEMENT RACK	
CUSTOMER DRAWING	
ITEM REVISION NAME	09V064AD/01
DATASET FILE NAME	09V064AD_DC/01C
UNLESS OTHERWISE SPECIFIED, DIMENSIONAL TOLERANCES ARE: IN (mm)	MATERIAL:
.X ± .XX ±	.XXX ± ANGLES ±
THIRD ANGLE PROJECTION	DRAWING NUMBER:
09V064AD-DC	09V064AD-DC
DRAWN BY: BAME	DATE: 5-27-10
CHK: DPN	SCALE: NONE
SHT 1 OF 2	
SIZE: A	

REV	DATE	BY	CHK	APR	DESCRIPTION	ECN
01C	9-26-23	VILR	NAGL	KCOR	ADDED P/N R2P96WH	09V064AD-DC
01B	1-27-14	PM	BAME	CMK	A. REVISED NOTE 9 (#52 WAS #45)	09V064AD-DC
01A	11-14-13	BAME	PM	CMK	UPDATED VIEWS	09V064AD-DC
00A	5-27-10	BAME	DPN	CMK	DRAWING RELEASED	09V064AD-DC

D101000DA/16

THIS COPY IS PROVIDED ON A RESTRICTED BASIS AND IS NOT TO BE USED IN ANY WAY DETRIMENTAL TO THE INTERESTS OF PANDUIT CORP.



REV	DATE	BY	CHK	APR	DESCRIPTION	ECN	TITLE				
							8 FOOT CABLE MANAGEMENT RACK				
							CUSTOMER DRAWING				
							ITEM REVISION NAME	09V064AD/01	PANDUIT		
							DATASET FILE NAME	09V064AD_DC/01C			
01C	9-26-23	VILR	NAGL	KCOR	SEE SHEET 1 OF 2 FOR REVISIONS	09V064AD	UNLESS OTHERWISE SPECIFIED, DIMENSIONAL TOLERANCES ARE: IN [mm]				
01B	1-27-14	PM	BAME	CMK	SEE SHEET 1 OF 2 FOR REVISIONS	09V064AD-DC	MATERIAL: ALUMINUM				
01A	11-14-13	BAME	PM	CMK	SEE SHEET 1 OF 2 FOR REVISIONS	09V064AD-DC	DRAWING NUMBER: 09V064AD-DC				
00A	5-27-10	BAME	DPN	CMK	SEE SHEET 1 OF 2 FOR REVISIONS	09V064AD-DC	THIRD ANGLE PROJECTION				
							DRAWN BY	DATE	CHK	SCALE	SIZE
							BAME	5-27-10	DPN	NONE	A
							SHT 2 OF 2				