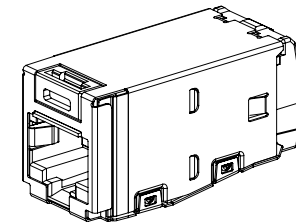
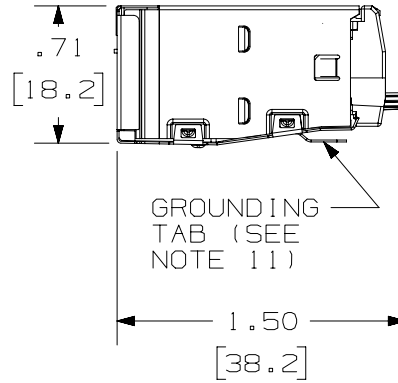
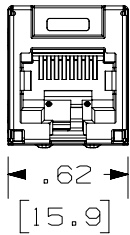
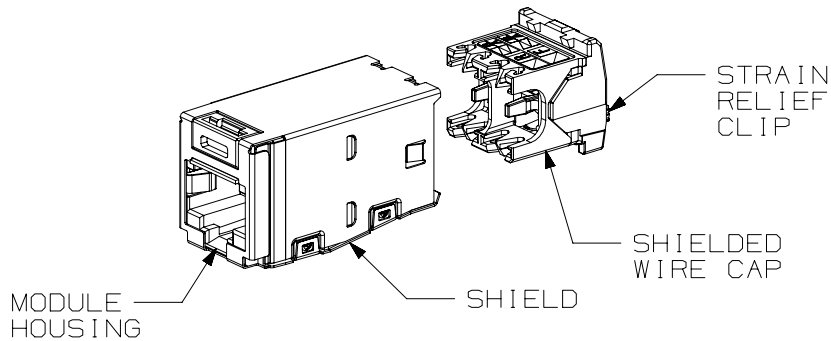


THIS COPY IS PROVIDED ON A RESTRICTED BASIS AND IS NOT TO BE USED IN ANY WAY DETRIMENTAL TO THE INTERESTS OF PANDUIT CORP.



- NOTES:
- VISIT OUR ON-LINE CATALOG AT WWW.PANDUIT.COM FOR A LIST OF CURRENT PARTS APPLICABLE FOR USE WITH THIS PRODUCT.
 - DIMENSIONS IN [] ARE METRIC.
 - WHITE COLOR WIRE CAP DESIGNATES TIA CATEGORY 6 (ISO 11801 CLASS E) PERFORMANCE. BLUE WIRE CAP DESIGNATES TIA CATEGORY 6A (ISO 11801 CLASS Ea) PERFORMANCE.
 - TERMINATION TOOL TO BE USED IS EGJT-1.
 - ALL TX6/6A CATEGORY 6/6A, 8 POSITION, 8 WIRE CONNECTOR MODULES ARE UNIVERSAL IN DESIGN. THEY ACCEPT SIX AND EIGHT POSITION MODULAR PLUGS WITHOUT DAMAGE.
 - TERMINATES 22-26AWG SOLID OR STRANDED UTP CABLE.
 - SEE INSTALLATION INSTRUCTION FOR PROPER TERMINATION METHOD.
 - WIRE CAP LABEL WHICH IS PART OF THE WIRE CAP ASSEMBLY IS CODED FOR T568A AND T568B WIRING SCHEMES.
 - PART INCLUDES:
 MODULE HOUSING: POLYCARBONATE WITH UL94V-0 FLAME RATING.
 MODULE SHIELD: TIN PLATED OVER PHOSPHORUS BRONZE
 WIRE CAP ASSEMBLY: DIE CAST ZINC AND POLYCARBONATE, UL94V-0 FLAME RATING.
 - WEIGHT: 3.715 LBS/100 PCS (1885g/100 PCS).
 - 0.187" X 0.010" GROUNDING TAB PROVIDED AS AN OPTIONAL PATH FOR GROUNDING.
 - ALL MATERIALS AND COMPONENTS USED MEET THE LATEST RoHS REQUIREMENTS.

PART NUMBER		CJSQ688TGBL/CJSQ6X88TGBL		
TITLE		TX6/6A SHIELDED CATEGORY 6/6A JACK MODULE		
ITEM REVISION NAME		CUSTOMER DRAWING		
DATASET FILE NAME		00075SKQ/00		
MATERIAL		00075SKQ_DC03/00A		
DRAWING NUMBER		00075SKQ-03		
THIRD ANGLE PROJECTION				
DRAWN BY		DATE		SCALE
BJN	3-23-22	ROJC	NONE	
DESCRIPTION		ECN		
00A 3-23-22 BJN ROJC JEFK RELEASED TO PRODUCTION		M09000QA		
REV		DATE		CHK
SHEET 1 OF 1		SIZE		
A		A		

A-SIZE CUSTOMER