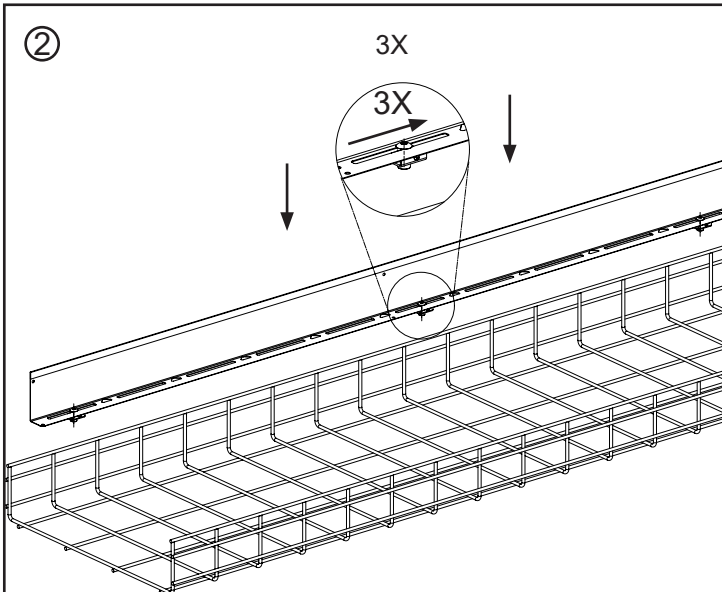
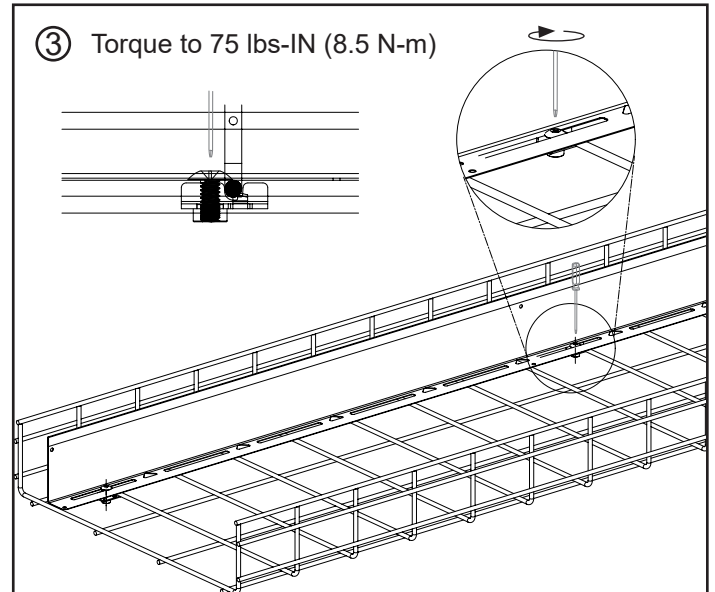
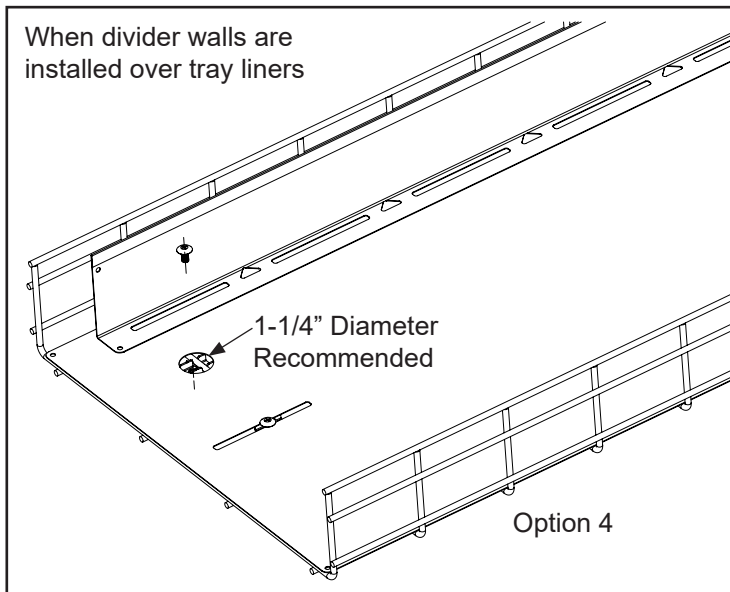
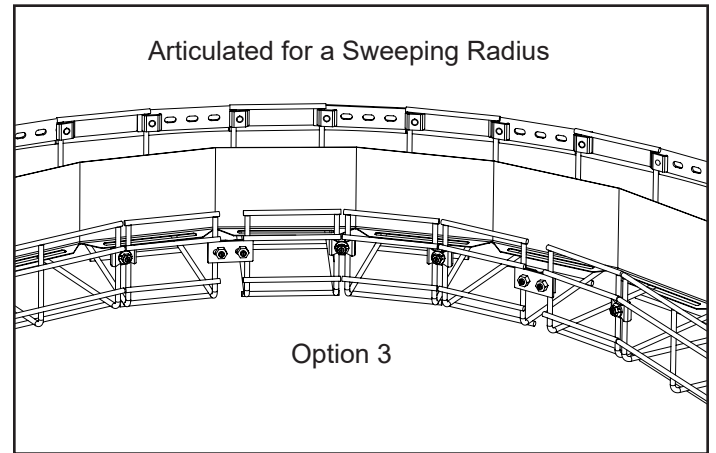
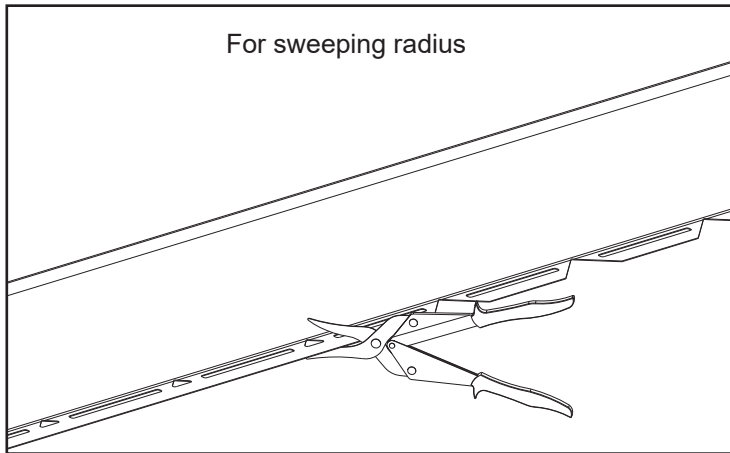
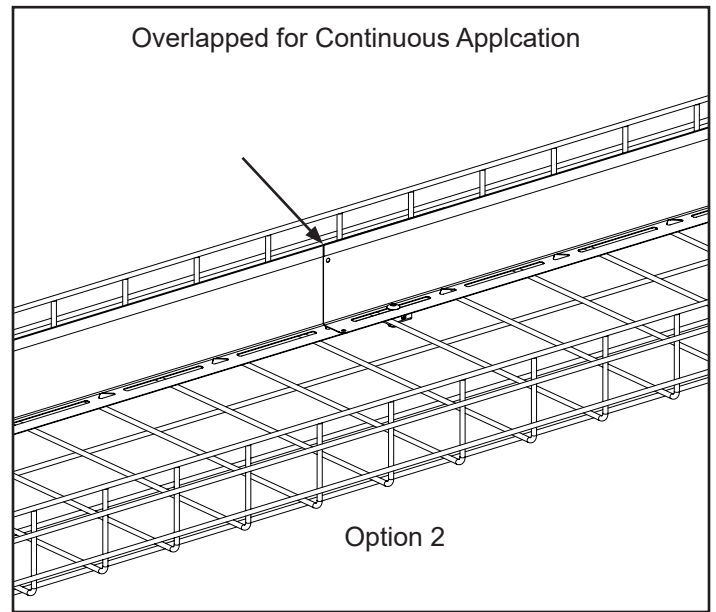
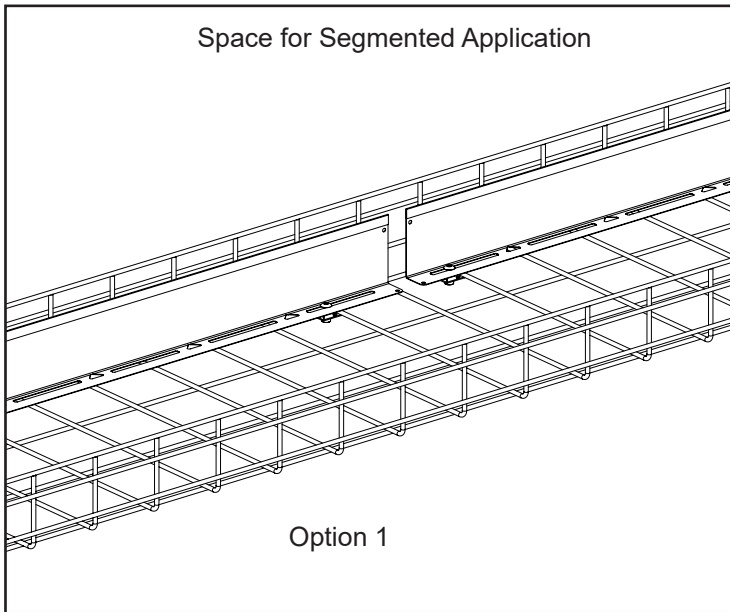


Loosely install 3 clips into desired slots of the Divider Wall and place onto Pathway.



Slide the 3 clips onto the crosswires of the pathway





For Instructions in Local Languages
and Technical Support:

http://www.panduit.com/resources/install_maintain.asp

PANDUIT
www.panduit.com

E-mail:
techsupport@panduit.com

Phone:
866-405-6654