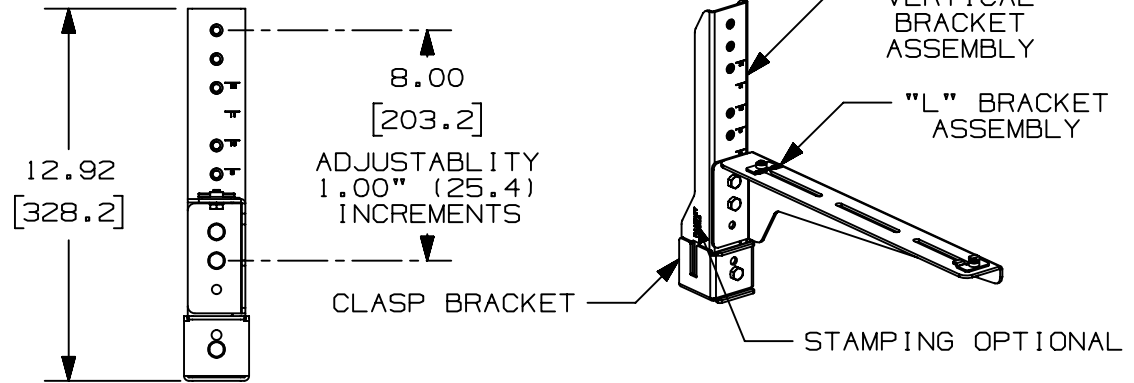
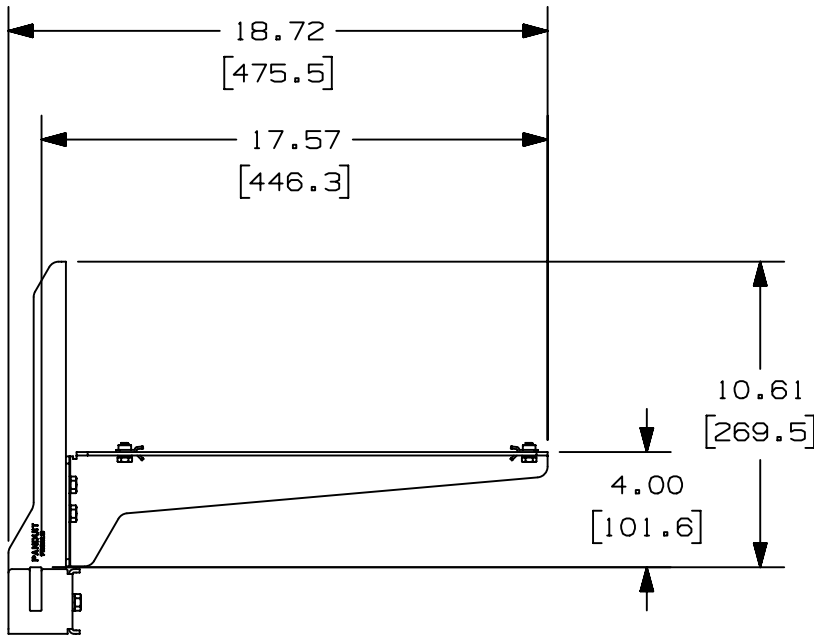
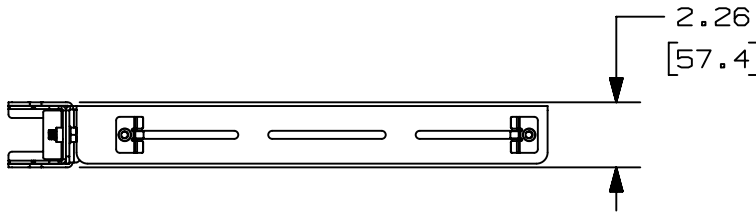


THIS COPY IS PROVIDED ON A RESTRICTED BASIS AND IS NOT TO BE USED IN ANY WAY DETRIMENTAL TO THE INTERESTS OF PANDUIT CORP.

PANDUIT PART NUMBER	WEIGHT
FR12ALB	4.29 LB/EACH (1946g/EACH)

NOTES:

1. SEE CURRENT CATALOG FOR ADDITIONAL PART SUFFIXES TO INDICATE PACKAGE QUANTITY.
2. THE FIBERRUNNER 12x4 QUIKLOCK ADJUSTABLE LADDER RACK BRACKET ALLOWS FOR THE FIBERRUNNER 12x4 CABLE ROUTING SYSTEM TO BE MOUNTED TO THE STRINGER OF 3/8"x1 1/2" (9.5x38.1) OR 3/8"x2" (9.5x50.8) LADDER RACK.
3. THE FIBERRUNNER 12x4 QUIKLOCK ADJUSTABLE LADDER RACK BRACKET INCLUDES:  
ONE (1) CLASP BRACKET,  
ONE (1) VERTICAL BRACKET ASSEMBLY,  
ONE (1) "L" BRACKET ASSEMBLY,  
THREE (3) 5/16 HELICAL SPRING LOCKWASHERS,  
THREE (3) 5/16-18x3/4 HEX HEAD CAP SCREWS,  
ONE (1) 1/4-20 T-BOLT,  
ONE (1) 1/4-20 HEX KEPS LOCK NUT
4. FINISH COLOR: BLACK (EXCEPT FOR HARDWARE)
5. DIMENSIONS IN PARENTHESES ARE IN METRIC.



TITLE		FIBERRUNNER 12x4 QUIKLOCK ADJUSTABLE LADDER RACK BRACKET	
		CUSTOMER DRAWING	
ITEM REVISION NAME		D37797EG/01	
DATASET FILE NAME		D37797EG_DC/01B	
UNLESS OTHERWISE SPECIFIED, DIMENSIONAL TOLERANCES ARE:		MATERIAL:	
		N/A	
DRAWING NUMBER:		37797-93	
THIRD ANGLE PROJECTION		DRAWN BY: JHNU	
		DATE: 4/26/01	
		CHK: CVV	
		SCALE: NONE	
		SHT 1 OF 1	
		SIZE: A	

01B	9/2/19	MEX-JAGC	FWI	FWI	H. "STAMPING OPTIONAL" LABEL ADDED SEE PREVIOUS REVISION FOR HISTORY	V09002CN/07
REV	DATE	BY	CHK	APR	DESCRIPTION	ECN

D10100DA/20