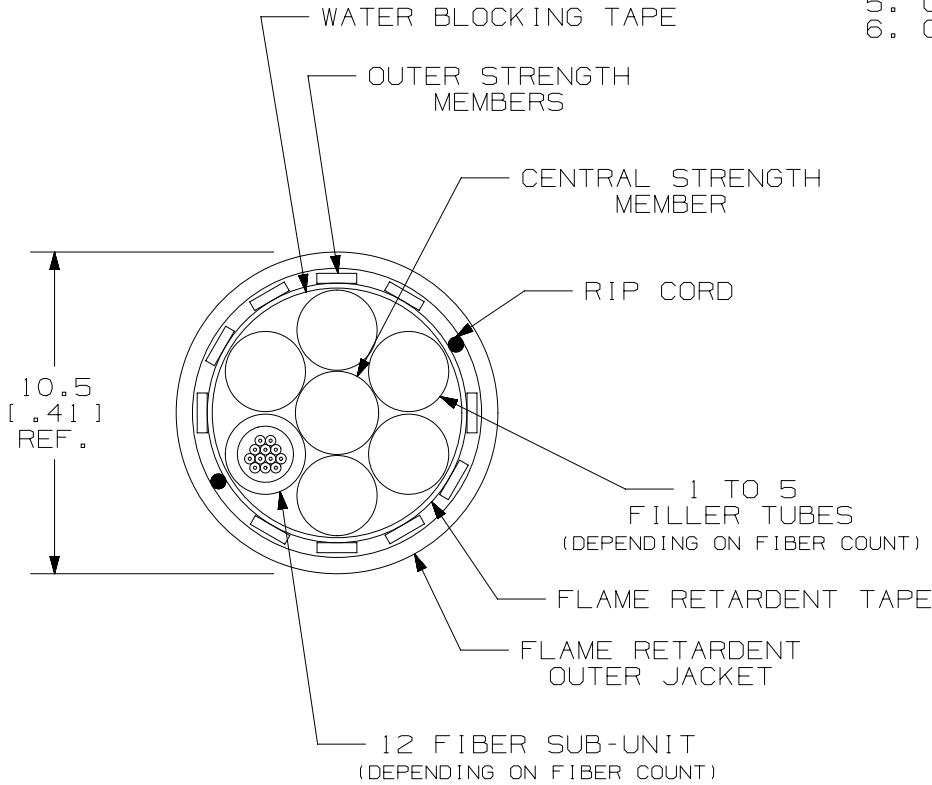


THIS COPY IS PROVIDED ON A RESTRICTED BASIS AND IS NOT TO BE USED IN ANY WAY DETRIMENTAL TO THE INTERESTS OF PANDUIT CORP.

NOTES:

1. DIAMETER DIMENSION SHOWN FOR REFERENCE ONLY.
2. DIMENSIONS IN BRACKETS [ ] ARE ENGLISH.
3. JACKET MEETS IEC REQUIRMENTS FOR LSZH PER IEC 60332-1, IEC 60754-2, AND IEC 61034-2.
4. CABLE JACKET IS BLACK.
5. CABLE MEETS REQUIRMENTS OF EUROCLASS Eca PER EN 50575.
6. CABLE DECLARATION OF PERFORMANCE IS PAN-DOP-FA007.



CABLE DESCRIPTION		
4 TO 72 FIBER INDOOR-OUTDOOR CABLE WITH UP TO 6 - 4, 8 OR 12 FIBER SUB-UNITS		
TECHNICAL SPECIFICATIONS		
MAXIMUM LOSS		BEND RADIUS
3.5 dB/KM @ 850nm 1.5 dB/KM @ 1300nm		210 mm (8.3 in)
SINGLEMODE MAXIMUM LOSS		TENSILE LOAD
.75 dB/KM @ 1310nm .75 dB/KM @ 1500nm		INSTALLATION 1800 N (410 lbf)
		LONG TERM 1200 N (273 lbf)
TEMPERATURE		
INSTALLATION	OPERATION	STORAGE
0° C TO +50° C 32° F TO +122° F	0° C TO +50° C 32° F TO +122° F	-40° C TO +65° C -40° F TO +149° F

						TITLE FIBER OPTIC 36, 48 & 72 FIBER INDOOR-OUTDOOR CABLE WITH 12 FIBER SUB-UNITS		
						CUSTOMER DRAWING		
						ITEM REVISION NAME M02432DL/00		
						DATASET FILE NAME M02432DL_DC_36-72/00A		
						UNLESS OTHERWISE SPECIFIED, DIMENSIONAL TOLERANCES ARE: IN (mm)		
						.x ± .xxx ± .010 (0.3)		
						.xx ± .03 (0.8) ANGLES ±		
OOA 07-14-17 SAT WMA SKH INITIAL RELEASE						M02432DL-DC-36/72		
						THIRD ANGLE PROJECTION		
						DRAWN BY SAT		
						DATE 06-21-17		
						CHK WMA		
						SCALE NONE		
						PART NO. FANC***-40		
						DRAWING NUMBER: M02432DL-DC-36/72		
REV	DATE	BY	CHK	APR	DESCRIPTION	ECN	SHT 1 OF 2	SIZE A

