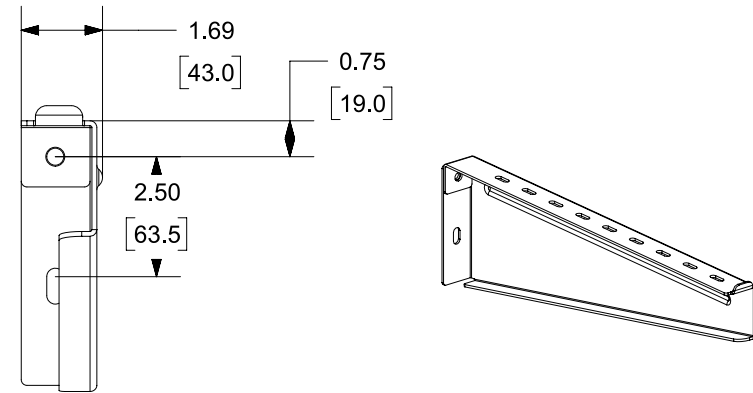
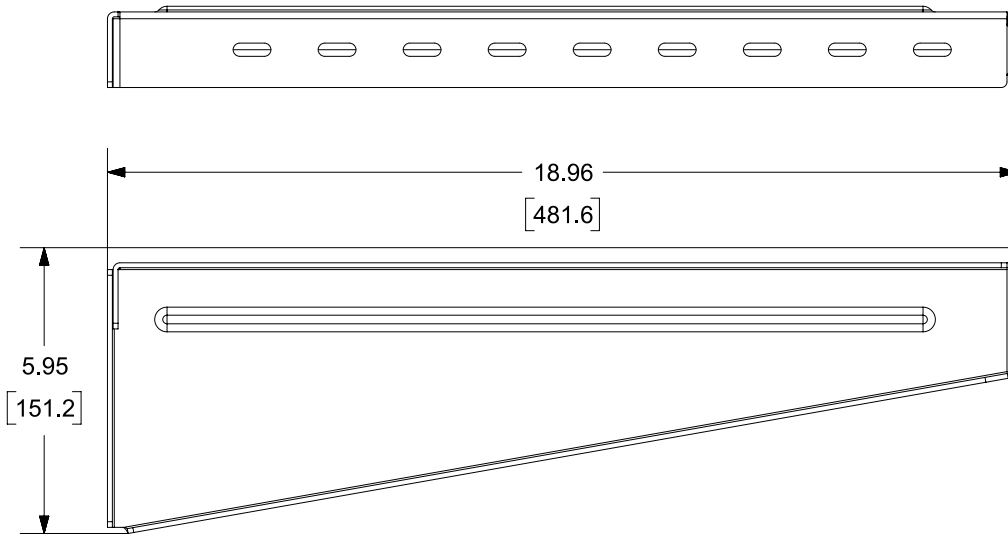


THIS COPY IS PROVIDED ON A RESTRICTED BASIS AND IS NOT TO BE USED IN ANY WAY DETRIMENTAL TO THE INTERESTS OF PANDUIT CORP.


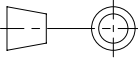
PANDUIT P/N	WEIGHT
PWBCB18**	3.5 LBS/EACH (1587.6g)/EACH

NOTES:

1. DIMENSIONS IN [] ARE METRIC.
2. PART INCLUDES 1 BRACKET
3. PART WORKS WITH ALL 18" OR SMALLER WIDE WIRE BASKETS.
4. BRACKET ACCEPTS UP TO 5/16" OR 8mm CUSTOMER SUPPLIED MOUNTING HARDWARE
5. BASKETS ARE MOUNTED TO CANTILEVER BRACKET WITH 2 PWBHK**. (SOLD SEPARATELY).
6. **= BL (BLACK POWDER COAT), WH (WHITE POWDER COAT), OR EZ (CLEAR ZINC)
7. ALL MATERIALS AND COMPONENTS USED MEET THE MATERIAL RESTRICTIONS OF RoHS (EUROPEAN DIRECTIVE 2011/65/EC ON THE RESTRICTION OF HAZARDOUS SUBSTANCES) AS PROPOSED BY THE RoHS TECHNICAL ADAPTATION COMMITTEE.



REV	DATE	BY	CHK	APR	DESCRIPTION	ECN
00C	12-14-23	SAT	DWR	EB	B. UPDATED TITLE.	00510EPK-DC
00B	3/7/22	JSP	DWR	ML	A. ADD NOTE 3-7	00510EPK-DC
00A	6/2/21	JSP	WJM	ML	INITIAL RELEASE	00510EPK-DC

TITLE WIRE BASKET CANTILEVER BRACKET 18" [450mm]									
CUSTOMER DRAWING									
ITEM REVISION NAME 00510EPK/00									
DATASET FILE NAME 00510EPK_DC/00C									
MATERIAL C.R.S.			 THIRD ANGLE PROJECTION		DRAWING NUMBER 00510EPK - DC				
DRAWN BY JSP	DATE 6/2/21	CHK WJM	SCALE NONE	SHEET 1 OF 1			SIZE A		