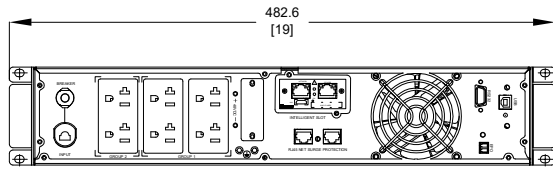
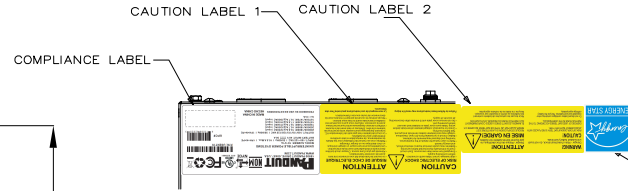


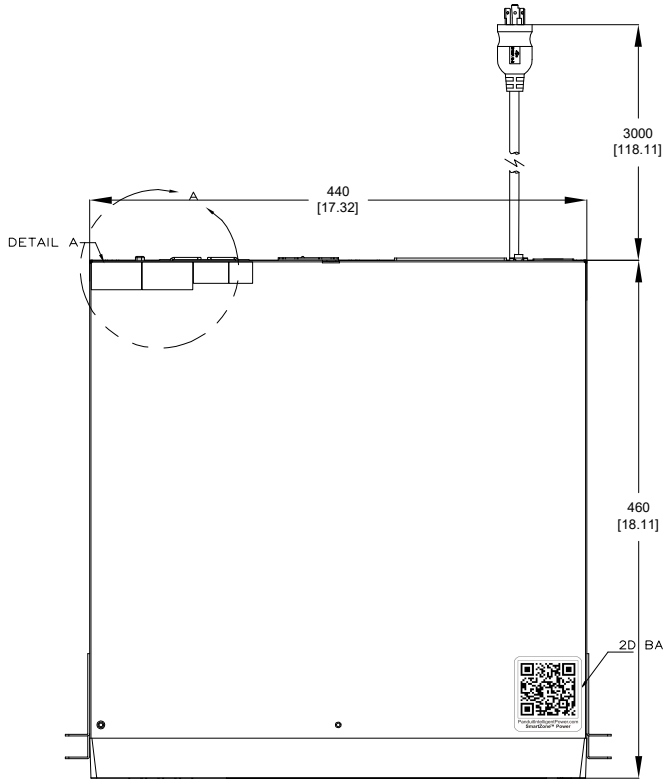
THIS COPY IS PROVIDED ON A RESTRICTED BASIS AND IS NOT TO BE USED IN ANY WAY DETRIMENTAL TO THE INTERESTS OF PANDUIT CORP.



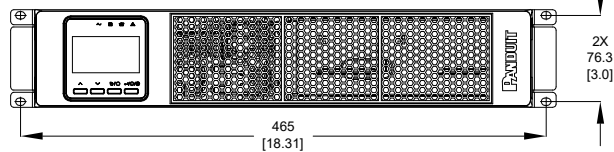
VIEW ROTATED 180°



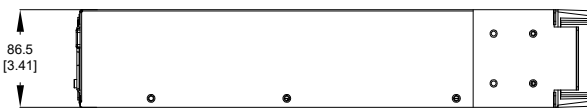
DETAIL A
SCALE 1:3



2D BARCODE LABEL



2X
76.3
[3.0]



86.5
[3.41]

SPECIFICATION:

- STANDARD:
 - UPS TOPOLOGY: DOUBLE CONVERSION
 - KVA: 2
 - BATTERY TYPE: VALVE REGULATED LEAD ACID
 - INPUT PLUG: NEMA L5-20P
 - NOMINAL INPUT VOLTAGE: 100/110/115/120/125VAC
 - INPUT PHASE: SINGLE
 - OUTPUT PHASE: SINGLE
 - NOMINAL OUTPUT VOLTAGE: 100/110/115/120/125VAC
 - OUTLET TYPE AND QTY: NEMA 5-20R(6)
 - DISPLAY TYPE: 2.8 INCH, 4 BUTTON
 - PARALLEL PORT SUPPORT: NO
 - INPUT BREAKER TYPE: 25A PUSH BUTTON
 - OUTPUT BREAKER TYPE: N/A
 - WEIGHT OF Pb(LEAD): 6.8KG
 - WEIGHT OF H2SO4(SULFURIC ACID): 1.6KG
- ADDITIONAL: NONE
- ACCESSORY COMPONENTS:
 - P/N U02N11V CONTAINS AN INTELLIGENT NETWORK CARD, (INSTALLED)
 - STABILIZER BRACKET, QTY: (4)
 - INSTALLATION EARS, QTY: (2)
 - SAFETY WARNING SHEET, QTY: (1)
 - SELECTION GUIDE (POCKET GUIDE), QTY: (1)
 - DB9/DB9 RS232 1.5M COMMUNICATION CABLE, QTY: (1)
 - USB-A/USB-B 1.2M SERIAL COMMUNICATION CABLE, QTY: (1)
 - INCLUDES P/N: UVCO48 INTERNAL BATTERY CARTRIDGE, QTY: (1), (INSTALLED)
 - INCLUDES P/N: URMKIT2 INSTALLATION RAIL KIT, QTY: (1), (U02N11V ONLY)
 - REFER TO ASSOCIATED DRAWINGS FOR PHYSICAL DIMENSIONS AND SPECIFICATIONS
 - EPO PLUG WITH SHORTING WIRE, QTY: (1), (INSTALLED)
 - NEMA L5-20P TO 5-20P ADAPTER, QTY: (1)

NOTES:

- PRIMARY DIMENSIONS ARE IN MILLIMETERS. SECONDARY DIMENSIONS ARE IN INCHES
- INSTALLATION SHALL COMPLY WITH ALL APPLICABLE NATIONAL, STATE, AND LOCAL CODES
- VISIT OUR ON-LINE CATALOG AT WWW.PANDUIT.COM FOR A CURRENT LIST OF PRODUCTS APPLICABLE FOR USE WITH THIS PRODUCT
- ALL PURCHASED ITEMS CONFORM TO C2-0834 PANDUIT SPECIFICATION FOR CHEMICAL SUBSTANCES TO BE CONTROLLED IN PRODUCT AND PACKAGING

IDENTIFICATION:

PART NUMBER	DESCRIPTION	SHIPPING WEIGHT (KG)
U02S11V	SMARTZONE IRUPS, 2kVA, 2U, 120V, SINGLE PHASE, DOUBLE-CONVERSION ON-LINE POWER PROTECTION	23.5
U02N11V	SMARTZONE IRUPS, 2kVA, 2U, 120V, SINGLE PHASE, DOUBLE-CONVERSION ON-LINE POWER PROTECTION WITH INTELLIGENT NETWORK CARD	23.9

REV	DATE	BY	CHK	APR	DESCRIPTION	ECN
00A	08/17/2021	DL	ZRZ	GLM/DJB	RELEASE TO PRODUCTION	U02N11V
01A	08/02/2022	DL	ZRZ	GLM/DJB	A-UPDATED DESCRIPTION B-ADD NOM TO COMPLIANCE LABEL C-UPDATED UL LOGO D-RU WAS URMKIT2 E-NOTCH REMOVED IN METAL	U02N11V

PLEASE NOTE: THIS DRAWING IS THE PROPERTY OF PANDUIT CORPORATION. IT IS TO BE USED ONLY FOR THE CLIENT'S SPECIFIC PROJECT. IT IS NOT TO BE REPRODUCED OR TRANSMITTED IN ANY FORM OR BY ANY MEANS, ELECTRONIC OR MECHANICAL, WITHOUT THE WRITTEN PERMISSION OF PANDUIT CORPORATION.	
TITLE: SMARTZONE UPS U02S11V/U02N11V CUSTOMER DRAWING	
P/N: U02S11V/U02N11V/01 U02S11V/U02N11V-DA/01A	DRAWING NUMBER: U02N11V-DC
DIMENSIONAL TOLERANCES ARE: MM (IN)	N/A
THIRD ANGLE PROJECTION	SHEET 1 OF 2

PANDUIT NOM LISTED NYCE

18900 PANDUIT DRIVE, 60497, USA
WWW.PANDUIT.COM

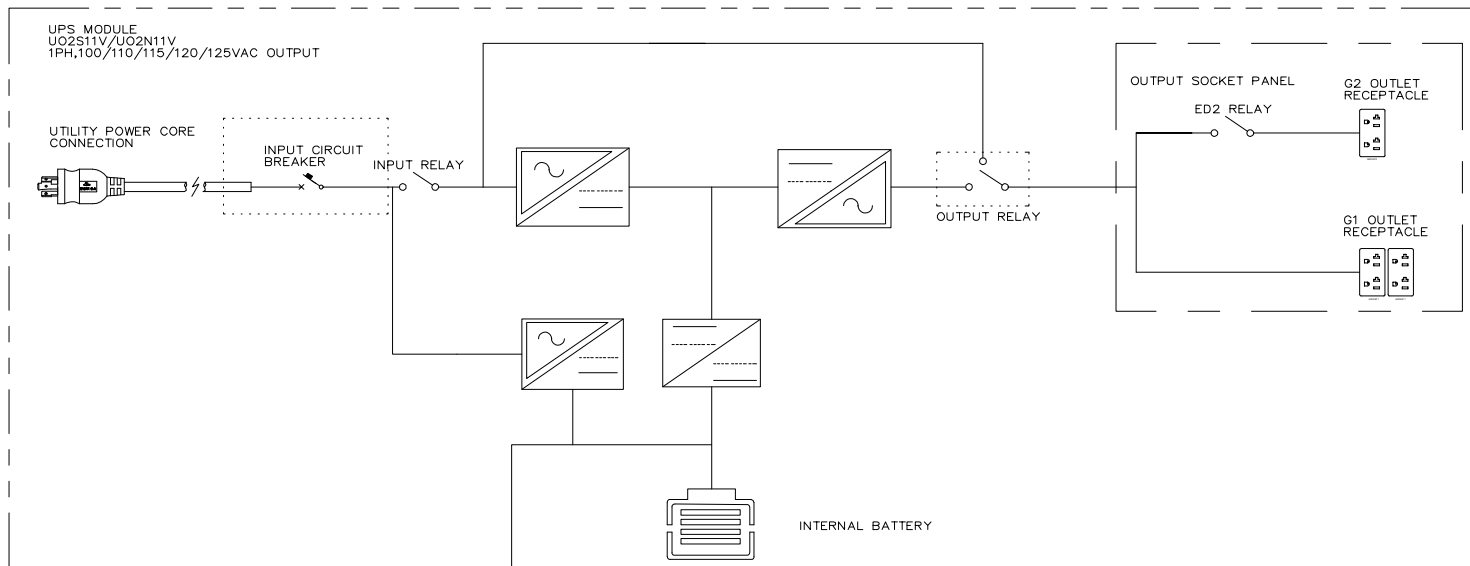
UNINTERRUPTIBLE POWER SYSTEMS
MODEL NUMBER: 1D1V1A
INPUT: 100-125 VAC 1 50/60Hz 1 16.0 A Max. 1 1PH+N+PE
BATTERY INPUT: 48 V 50 A

OUTPUT: 100/110/115/120/125 VAC 1 50/60Hz 1 1PH+N+PE
2000VA/1800W 16.0 A @ 125VAC Input
2000VA/1800W 16.7 A @ 120VAC Input
1820VA/1740W 16.7 A @ 115VAC Input
1870VA/1630W 17.0 A @ 110VAC Input
1870VA/1470W 16.7 A @ 100VAC Input
Icc: 3 kA

MADE IN CHINA
HECHO CHINA

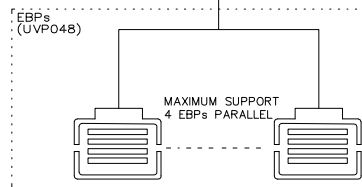
PROHIBIDO SU USO EN EXTERIORES

PIN: U02N11V
UPC# 6 10301 100201 13



LEGEND

SYMBOL	DESCRIPTION	SYMBOL	DESCRIPTION
	CIRCUIT BREAKER		AC-DC CONVERTER
	RELAY		DC-DC CONVERTER (BANKS)
	AC-DC CONVERTER		AC-DC CONVERTER
			BATTERY



DISPLAY FIRMWARE VERSION: 3040-0243
CORE FIRMWARE VERSION: V0008000000

WE ARE NOT PROVIDING THIS DOCUMENT TO ANY OTHER PARTY WITHOUT THE WRITTEN PERMISSION OF PANDUIT CORPORATION. IT IS THE PROPERTY OF PANDUIT CORPORATION. IT IS TO BE USED ONLY FOR THE PROJECT AND NOT TO BE REPRODUCED OR TRANSMITTED IN ANY FORM OR BY ANY MEANS, ELECTRONIC OR MECHANICAL, INCLUDING PHOTOCOPYING, RECORDING, OR BY ANY INFORMATION STORAGE AND RETRIEVAL SYSTEM.

REV	DATE	BY	CHK	APR	DESCRIPTION	ECN
01A	06/02/2022	D.A.	Z.R.	GLM/DJB	A-UPDATED DESCRIPTION B-ADD NOM TO COMPLIANCE LABEL C-UPDATED ILL LOGO D-KIT WAS URMWIT E-NOTCH REMOVED IN METAL	U02N11V
00A	08/17/2021	D.A.	Z.R.	GLM/DJB	RELEASE TO PRODUCTION	U02N11V

FILE	DESCRIPTION	DATE	BY
U02S11V/U02N11V/01	CUSTOMER DRAWING		
U02S11V/U02N11V-DA/O1A			
U02S11V/U02N11V-DC/O1A			

SMARTZONE UPS
U02S11V/U02N11V

UNLESS OTHERWISE SPECIFIED
DIMENSIONAL TOLERANCES ARE: IN (IN)

N/A

THIRD ANGLE PROJECTION

U02N11V-DC

REV 1 OF 2