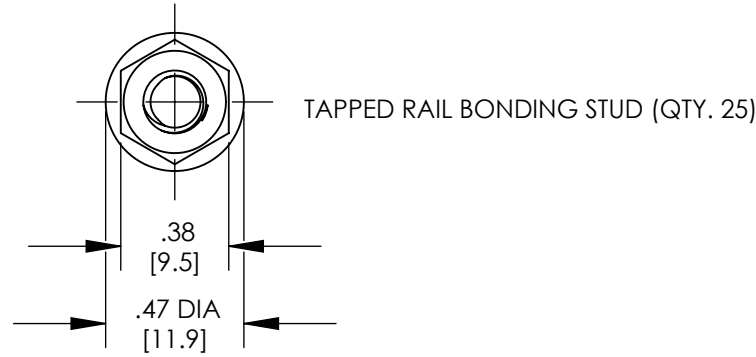
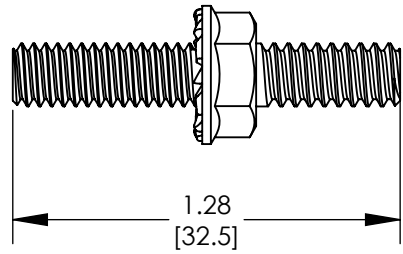
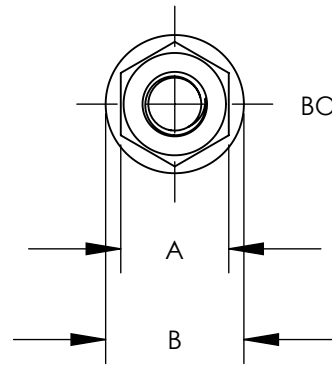


THIS COPY IS PROVIDED ON A RESTRICTED BASIS AND IS NOT TO BE USED IN ANY WAY DETRIMENTAL TO THE INTERESTS OF PANDUIT CORP.



TAPPED RAIL BONDING STUD (QTY. 25)



BONDING NUT (QTY. 50)

NOTES:

1. TAPPED RAIL BONDING STUD KITS
PART NUMBER: TRBSK
TRBS1032K
TRBSM6K
TRBSM5K
2. PACKAGING: 4 KITS PER BOX
3. DIMENSIONS IN PARENTHESIS ARE MILLIMETERS.
4. ALL COMPONENTS THAT MAKE UP THIS KIT ARE RoHS COMPLIANT.

PART NUMBER	TAPPED RAIL BONDING STUD		BONDING NUT			
	SIZE	QTY.	SIZE	QTY.	A	B
TRBSK	#12-24	25	#12-24	25	.44 [11.1]	.58 [14.7]
TRBS1032K	#10-32	25	#10-32	25	.38 [9.5]	.46 [11.7]
TRBSM6K	M6	25	M6	25	.39 [10.0]	.52 [13.2]
TRBSM5K	M5	25	M5	25	.38 [9.5]	.46 [11.7]



REV	DATE	BY	CHK	APR	DESCRIPTION	ECN	TITLE	SCALE	SHEET	SIZE
							TAPPED RAIL BONDING STUD KITS (TRBSK, TRBS1032K, TRBSM5K, TRBSM6K) CUSTOMER DRAWING			
							ITEM REVISION NAME N41700BB/03			
							DATASET FILE NAME N41700BB-DC r03.SLDDRW			
							UNLESS OTHERWISE SPECIFIED, DIMENSIONAL TOLERANCES ARE: IN [mm]			
03	10/22	JHNU	KLN	JADE	A. ADDED COLUMNS FOR BONDING NUT DIMENSIONS	127033	.X ± .XX ±	.XXX ± ANGLES ±		
02	8/15	JHNU	JHNU	RGB	REVISED STUD LENGTH: 1.28 WAS 1.44	N41700BB-DC				
							THIRD ANGLE PROJECTION			
							DRAWN BY JHNU	DATE 2/07	CHK JMAR	SCALE N/A
									SHEET 1 OF 1	SIZE A



MATERIAL
N/A
DRAWING NUMBER
C41700